

PAVISE D115

ZF – 9 Speed Manual
ZF – 8 Speed Automatic



*Image may contain items not standard to the model

4 x 2 Cab Chassis

KEY FEATURES

Vehicle Dynamic Control (VDC)
Lane Departure Warning System (LDWS)
Forward Collision Avoidance Assist (FCA)
Autonomous Emergency Braking System (AEBS)
Emergency Stop System (ESS)
Electronic Braking System (EBS)
SRS Airbags Driver & Passenger
Cruise Control

KEY SPECIFICATIONS

GVM	15,500Kg / 12,000Kg
GCM	25,000Kg / 21,000kg
Engine	5.9L (EURO 5) 6 Cylinder Turbo
Power	246hp/183kw
Torque	853Nm
Transmission	ZF 9 Speed MT / ZF 8 Speed Auto
Wheelbase	ELWB 4.9m, ULWB 5.7m
Max. Body Length	ELWB 6.8m, ULWB 8.1m

ENGINE

Engine Model	Hyundai D6GA25A
Engine Type	Diesel, 5.9L (Euro 5) 6 in-line Cylinder Turbo
Max. Output	246hp/183KW @ 2,500 RPM
Max. Torque	853Nm. @ 1,400 RPM
Max. Engine R.P.M	2,500 RPM
Fuel Injection	Electrical Type by ECU
Cooling System	Auto Clutched Type
Compression Ratio	17.0: 1
Piston Displacement	5,899 cc
Bore and Stroke	103 x 118 (mm)
Valve System	SOHC, 4 Valves per Cylinder
Exhaust	EGR + DOC + PMC
Alternator	24V-70A
Engine Immobilizer	Equipped

TRANSMISSION & GEAR RATIOS

Make & description	Manual Transmission (ZF9S1310T0)		Automatic Transmission (ZF8AP1200)	
	ZF 9 Speed Manual		ZF 8 Speed Automatic	
Gear Ratios	Crawler	9.48	1 / 2	4.89 / 3.123
	1 / 2	6.58 / 4.68	3 / 4	2.023 / 1.639
	3 / 4	3.48 / 2.62	5	1.254
	5 / 6	1.89 / 1.35	6	1.00
	7	1.00	7	0.84
	8	0.75	8	0.639
	REVERSE	8.97	REVERSE	4.25
Gear Shift	Floor Shift	Electrical Hydraulic Type		
Rear axle ratio	4.111 / 4.333 / 5.375			

BRAKES

Type	Drum Brakes Front & Rear Disc Brakes (Optional)
Actuation	Drum: Full Air S-CAM Brake with Diaphragm Chamber Disc: Full Air Disc Brake with Diaphragm
Front Drum Diameter X Lining Width	360 x 160 x 16 / Disc: 375 x 45
Rear Drum Diameter X Lining Width	360 x 160 x 16 / Disc: 375 x 45
Adjusted	Auto Adjuster
Vehicle Stability Control (VSC)	Equipped
Auxiliary Brake	Air Operated, butterfly valve
Anti-lock Brake System (ABS)	Equipped
Electronic Braking System (EBS)	Equipped
Traction Control (TC)	Equipped

SAFETY FEATURES

Active Safety Features	
Vehicle Stability Control	VSC (Equipped)
Anti-lock Brake System	ABS (Equipped)
Forward Collision Avoidance Assist	FCA (Equipped)
Emergency Stop System	ESS (Equipped)
SRS Airbag	Driver & Passenger
Electronic Braking System	EBS
Lane Departure Warning System	LDWS
Traction Control	TC
Cruise Control	CC
Easy Start Hill Assist	ES



SUSPENSION & LOAD LIMITS

FRONT	Front Axle Type	Reverse Eliot Type "I" Beam	
	Front Axle Capacity	6,000 kg	
	Suspension	Multi Spring Suspension	
	Spring Dimensions	1500 x 80 x 7 Leaves (14t-3, 12t-2, 11t-1)	
REAR	Rear Axle Type	Full Floating Type (R150HS)	
	Rear Axle Capacity	9,500 kg	
	Rear Suspension Types	Leaf	Air (Optional)
	Suspension Description	Multi Spring	
	Spring Dimensions	Main	Helper
	Length & Width (mm)	1300 x 70 x 10 Leaves (12t-2, 11t-8)	920 x 70 x 6 Leaves (11t-6)

CLUTCH (MANUAL MODELS)

Type	Hydraulic Control (air assisted), Diaphragm Spring. Single Dry plate, Pre-Damper
Facing Size	395 mm (outside diameter) x 240 mm (inside diameter)
Facing Material	Non-Asbestos

WHEELS & TYRES

Wheel Type	Single Front, Double Rear
Wheel	Front, Rear: 19.5 x 6.75
Material	Steel / (Optional) Aluminum
Tyre Size	Front: 285/70R19.5 Rear: 245/70R19.5
Number of Tires	6
Spare Tyre Carrier	Equipped

ELECTRICAL

Type	24V Negative Earth
Battery	24V-70A
Alternator	24V-70A
Starter Type	24V-5.0KW
Interior & Reading Lamps	LED

CHASSIS FRAME

Wheelbase Variants	ELWB	ULWB
Wheelbase (mm)	4,900	5,700
Overall Width (mm)	2,320	2,320
Cab to Rear Axle	4,010	4,810
Cab to End of Frame	6,270	7,420
Min. Ground Clearance	205	205

PERFORMANCE

Wheelbase	Extra Long	Ultra-Long
Application Engines	D6GA25A	D6GA25A
Max. Speed (KM/HR)	134.5	134.5
Max. Gradeability (tan0)	0.306	0.306

FUEL TANK

Material (L) Liter	Standard: 200L (steel) Optional (ELWB & ULWB): 200 L + 200L (Aluminum)
Fuel Capacity (L) Liter	200L (Standard) / 200L + 200L (Optional)
Fuel Cap	Equipped

STEERING

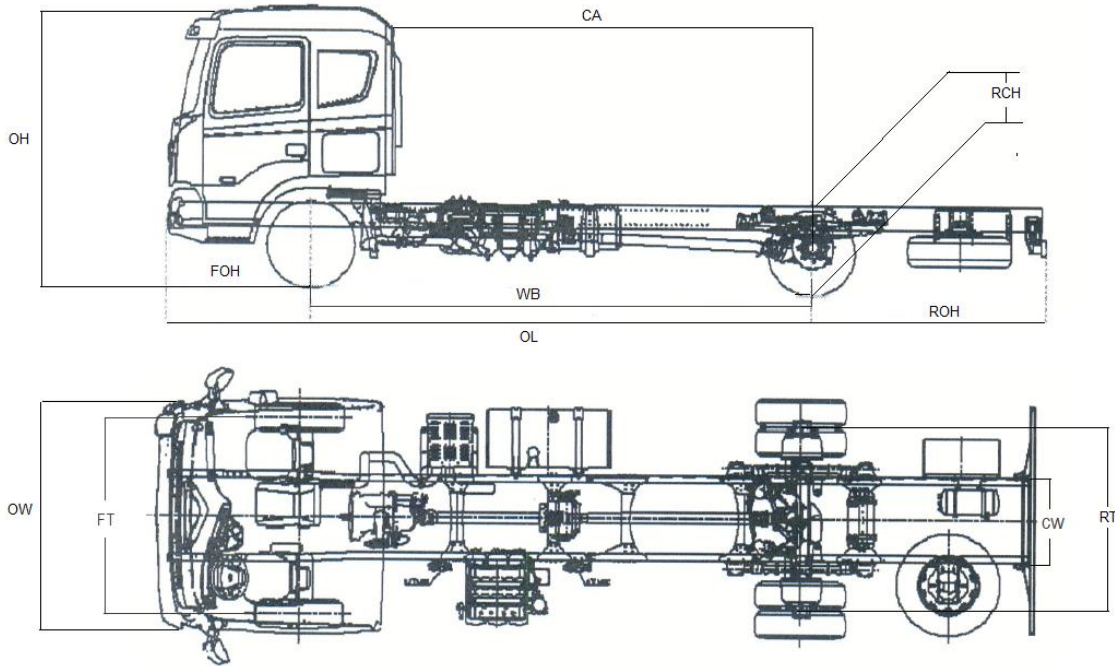
Steering Type	4-Spoke, Ball-nut type, Tilt & Telescopic Steering Column
Steering Gear Ratio	22.4 (Tilting Angle: 18°)
Inside Steering Angle	50°
Outside Steering Angle	38°
Telescopic Stroke (mm)	65 mm

CAB DETAILS

CAB Type	Sleeper CAB
Seating Capacity	3
Seat Belts	3-point Lap Sash for Driver & Passenger
Sun visor & Overhead	High Roof Only (Optional)
Windscreen Wipers	2-Arm Wiper & Washers
Rear View Mirrors	External; Electric; Remote Heated
Grille Color	Black
Cab heater & Air conditioner	Equipped
Floor Covering	Vinyl Type
Central Locking & Keyless	Equipped with Immobilizer
Cab Storage Pockets	Equipped
Power Windows	Equipped
Cup Holders	Equipped



DIMENSIONS – (mm) / WEIGHTS – (kg)



Wheelbase	ELWB	ULWB
WB	4,900	5,700
OL	8,615	9,765
OW	2,320	2,320
OH	2,605 (High Roof: 2,795)	2,605 (High Roof: 2,795)
CA	4,010	4,810
FOH	1,415	1,415
ROH	2,300	2,650
RCH	900	900
CW	840	840
FT	1,935 (Steel) / 1,945 (Aluminum)	1,935 (Steel) / 1,945 (Aluminum)
RT	1,800 (Steel) / 1,813 (Aluminum)	1,800 (Steel) / 1,813 (Aluminum)
Curb Weight	5,200	5,400
Front Curb Weight	3,520	3,630
Rear Curb Weight	1,680	1,770
Gross Vehicle Weight	12,000/15,500	12,000/15,500
Front Axle Capacity	6,000	6,000
Rear Axle Capacity	9,500	9,500

HYUNDAI PAVISE WARRANTY

HYUNDAI MEDIUM RANGE	AXLE CONFIGURATION	STANDARD WARRANTY	CAB WARRANTY
PAVISE D115	4 X 2	5 Years or 300,000 KM	5 YEARS

Disclaimer: Hyundai Trucks Australia reserves the right to alter vehicle specifications and equipment levels without notice. Some equipment featured on the vehicle in this brochure may not be available in Australia or may be optional to the extent permitted by the law. Hyundai Trucks Australia shall not be liable to any person as a result of reliance on the content of this document. Please consult your Hyundai Commercial Vehicle Dealer for the latest specifications, equipment levels, options, prices, colours and vehicle availability. Note: Information in this brochure is current as at 01/09/2023

You're never alone on the road in a Hyundai Pavise series truck. When you're covered by Hyundai's 24/7 nationwide truck roadside assist, you'll never find yourself stranded.



AVAILABLE FACTORY BODY OPTIONS

DRY PANTECH

	Length x Width x Height	
(Wheelbase)	(ELWB)	(ULWB)
Internal Dimensions	6,500mm x 2,380mm x 2,400mm	7,000mm x 2,380mm x 2,400mm
Est. Weight	1,875kg	1,890kg

*Available options –Tie rails, triple rear door



FREEZER PANTECH

	Length x Width x Height	
(Wheelbase)	(ELWB)	(ULWB)
Internal Dimensions	6,500mm x 2,380mm x 2,400mm	7,000mm x 2,380mm x 2,400mm
Est. Weight	2,495kg	2,510kg

*Available options – E-track, triple rear door, electric standby motor

Operating Temperature – -18°C

*Based on actual testing at 32°C
(ambient temperature)*



Factory body warranty - 12 months from date of delivery