



# MIGHTY EX10 SUPER CAB

**MIGHTY**

6 SPEED MANUAL

## KEY FEATURES

## KEY SPECIFICATIONS

Vehicle Dynamic Control (VDC)

**GVM EX10** 10,300kg

Full Air Brakes

**GCM EX10** 10,300kg

Driver's Suspension Seat

**Engine** 3.9L Diesel 4 Cylinder Turbo Euro 5

Hill Start Assist (HSA)

**Power** 170hp@2,500rpm

Traction Control System (TCS)

**Torque** 608Nm@1,400rpm

Full Air Brakes with ABS

**Transmission** 6 speed Manual

SRS Airbags Driver & Passenger

**Wheelbase** MWB 3.6m, LWB 4.05m, ELWB 4.4m

Cruise Control

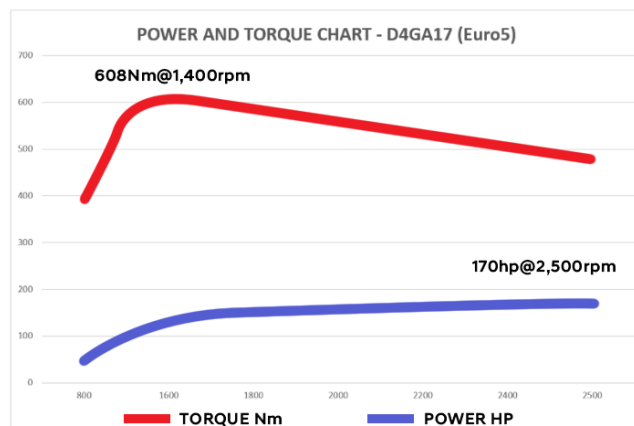
**Max. Body Length** MWB 4.6m, LWB 5.3m, ELWB 6.0m

**READY BUILT. READY TO WORK.**

## ENGINE

<b>Engine Model (MT/AT)</b>	Hyundai D4GA17
<b>Engine Type</b>	Diesel, 3.9L (Euro 5) Inline 4 Cylinder Turbo
<b>Max. Output (MT/AT)</b>	170hp@2,500rpm
<b>Max. Torque (MT/AT)</b>	392Nm @1,400rpm / 608Nm@1,400rpm
<b>Max. Engine R.P.M</b>	2,800 RPM
<b>Fuel Injection</b>	Electrical type by ECU
<b>Cooling System</b>	Water cooling type with thermostat
<b>Compression Ratio</b>	17.0: 1
<b>Piston Displacement</b>	3,933 cc
<b>Bore and Stroke</b>	103 x 118 (mm)
<b>Valve System</b>	SOHC, 4 valves per cylinder
<b>Exhaust</b>	Conventional (horizontal) type
<b>Alternator</b>	24V-55A
<b>Engine Immobilizer</b>	Equipped

## POWER & TORQUE CHART



## TRANSMISSION & GEAR RATIOS

GEAR RATIOS	Manual Transmission (T060S5) 6 Speed Manual	
	1	6.701
	2	3.712
	3	2.084
	4	1.351
	5	1.000
	6	0.732
	Reverse	5.983
<b>Gear Shaft</b>	Floor shift, Mechanical Remote Control	
<b>Rear Axle Ratio</b>	4.625	

## SAFETY FEATURES

<b>Vehicle Dynamic Control</b>	Standard
<b>Electronic Stability Control</b>	Standard
<b>Anti-lock Brake System</b>	Standard
<b>Traction Control System</b>	Standard
<b>Daytime Running Lights</b>	Standard
<b>SRS Airbag</b>	Driver & Passenger
<b>Hill Start Assist</b>	Standard
<b>Cruise Control</b>	Standard
<b>Driver's Suspension Seat</b>	Standard

## BRAKES

<b>Type</b>	4 wheel Drum Brakes
<b>Front Disc Diameter</b>	325mm
<b>Rear Disc Diameter</b>	325mm
<b>Adjuster</b>	Installed
<b>Actuation</b>	Full Air + ABS + ASR
<b>Parking Brake</b>	Full air, dual circuit fixed S CAM with spring loaded chambers

## SUSPENSION & LOAD LIMITS

<b>Front Axle Type</b>	Reverse Eliot Type "I" Beam
<b>Front Axle Capacity</b>	3,700 kg
<b>Rear Axle Type</b>	Full Floating Type
<b>Rear Axle Capacity</b>	6,600 kg
<b>Suspension Types</b>	Multi / Multi
<b>Shock Absorber</b>	Double Acting
<b>Spring Size Front (mm)</b>	1,200 x 70 x 10t-8, 11t-1
<b>Spring Size Rear (mm)</b>	Main - 1,250 x 70 x 10t-2 + 11t-5 Helper - 990 x 70 x 17t-4

READY BUILT. READY TO WORK.

### CLUTCH (MANUAL MODELS)

Type	Hydraulic control (air assisted), Diaphragm spring, Single dry plate, Pre-damper
Facing Size	362 mm (outside diameter) x 236 mm (inside diameter)
Facing Material	Non-Asbestos

### WHEELS & TYRES

Wheel Type	Single Front, Dual Rear
Wheel Size	Front, Rear: 17.5 x 6.00
Material	Steel
Tyre Size	Front: 225/75R17.5 - 12PR Rear: 225/75R17.5 - 12PR
Number of Tyres	6
Spare Tyre Carrier	Equipped

### ELECTRICAL

Type	24V Electrical System
Battery	2 x MF 90Ah Batteries
Alternator	24V-55A
Starter Type	24V-5.0KW
Interior & Reading Lamps	LED

### CHASSIS FRAME

Wheelbase Variants	MWB	LWB	ELWB
Wheelbase (mm)	3,600	4,050	4,400
Overall Length (mm)	6,370	6,870	7,370
Cab to Rear Axle	2,710	3,160	3,510
Cab to End of Frame	4,290	4,790	5,290
Min. Ground Clearance	185	185	185

### PERFORMANCE

Transmission	Manual
Application Engine	D4GA17
Max. Speed (km/h)	106
Max. Gradeability (tan^)	0.432

### FUEL TANK

Material	Steel
Fuel Capacity	100L
Optional Tank	50L (LWB and ELWB)

### STEERING

Steering Type	4-Spoke, Ball-nut type, Tilt & Telescopic steering column
Steering Gear Ratio	20.1 (Tilting Angle: -3.7 ~ 5.8°)
Inside Steering Angle	44"
Outside Steering Angle	32"
Telescopic Stroke (mm)	60mm

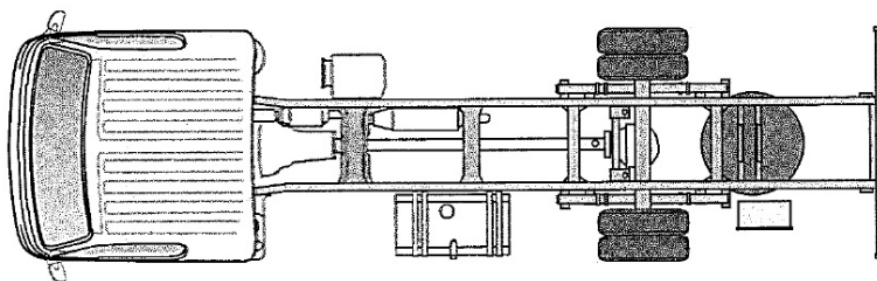
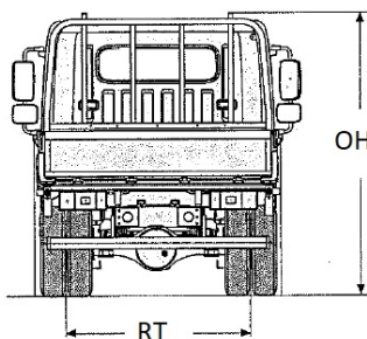
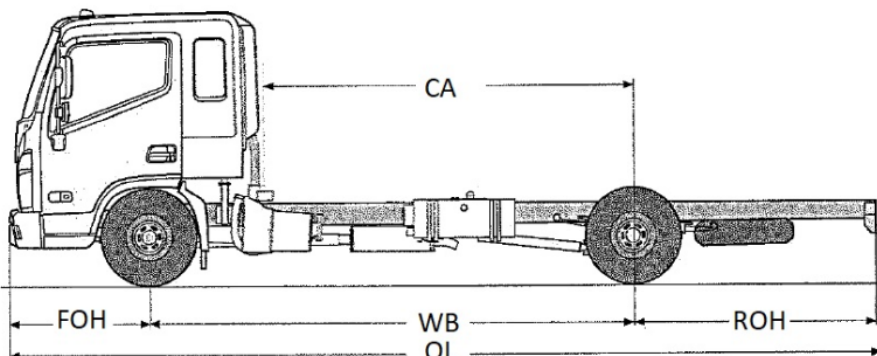
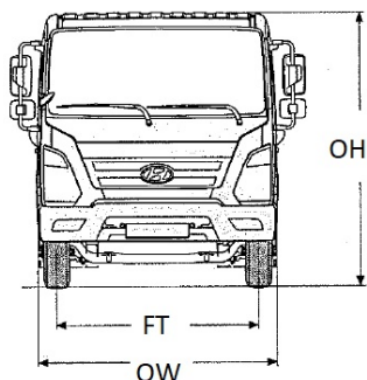
### CAB DETAILS

CAB Type	Standard CAB
Seating Capacity	3
Seat Belts	Equipped
Sun Visor & Overhead Console	Equipped
Windscreen Wipers	2-Arm Wiper & Washers
Rear View Mirrors	External
Grille Colour	Black
Cab Heater & Air Conditioner	Equipped
Floor Covering	Vinyl Type
Central Locking & Keyless Entry	Equipped + Immobilizer
Cab Storage Pockets	Equipped
Power Windows	Equipped
Reverse Alarm	Equipped



READY BUILT. READY TO WORK.

**DIMENSIONS - (mm) / WEIGHTS - (kg)**



Wheelbase	MWB	LWB	ELWB	Wheelbase	MWB	LWB	ELWB
<b>WB</b>	3,600	4,050	4,400	<b>FT</b>	1,690	1,690	1,690
<b>OL</b>	6,370	6,870	7,370	<b>RT</b>	1,650	1,650	1,650
<b>OW</b>	2,020	2,020	2,020	<b>Curb Weight</b>	2,885	2,900	2,925
<b>OH</b>	2,360	2,360	2,360	<b>Front Curb Weight</b>	1,935	1,940	1,990
<b>CA</b>	2,710	3,160	3,510	<b>Rear Curb Weight</b>	950	960	935
<b>FOH</b>	1,125	1,125	1,125	<b>Gross Vehicle Weight</b>	10,300	10,300	10,300
<b>ROH</b>	1,645	1,695	1,845	<b>Front Axle Capacity</b>	3,700	3,700	3,700
				<b>Rear Axle Capacity</b>	6,600	6,600	6,600

**HYUNDAI MIGHTY WARRANTY**

LIGHT DUTY RANGE

AXLE CONFIGURATION

STANDARD WARRANTY  
(whichever comes first)

CAB CORROSION / PERFORATION

MIGHTY EX10

4X2

5 Years or 300,000km  
(effective from 2021 production)

5 years

Battery warranty – 12 months from date of delivery  
\* For conditions, refer to the Hyundai Trucks Parts & Service warranty manual

Disclaimer: Hyundai Trucks Australia reserves the right to alter vehicle specifications and equipment levels without notice. Some equipment featured on the vehicle in this brochure may not be available in Australia or may be optional to the extent permitted by the law. Hyundai Trucks Australia shall not be liable to any person as a result of reliance on the content of this document. Please consult your Hyundai Truck Dealer for the latest specifications, equipment levels, options, prices, colours and vehicle availability. Note: Information in this brochure is current as at 01/01/2021

You are never alone on the road in a Hyundai Mighty series truck. When you are covered by Hyundai's 24/7 3 year nationwide truck roadside assist, you will never find yourself stranded.



**READY BUILT. READY TO WORK.**

## AVAILABLE FACTORY BODY OPTIONS

### FLAT DECK

Length x Width x Height	LWB	ELWB
<b>Deck Area</b>	5,100mm x 2,450mm	6,000mm x 2,450mm
<b>Est. Weight</b>	889kg	986kg



READY BUILT. READY TO WORK.