



徐工徐工 助您成功
XCMG FOR YOUR SUCCESS

XC7-SR07

SKID-STEER LOADER
滑移装载机



地址：中国徐州经济技术开发区工业一区
邮编：221004 客服电话：400-110-9999
Add: Xuzhou Economic Development Zone, Jiangsu, China
Postal: 221004 Hotline: 400-110-9999



▼ XC7-SR07是徐工滑移装载机新平台产品，立足于国内市场，依托国际研发平台，全面提升产品的技术与性能，可满足路面施工/养护/清扫、建筑工程施工、林业、园林景观、农业、修坡/整平、举升/搬运等国内滑移应用领域的各种作业需求。

As the first new product of skid loaders, XC7-SR07 is configured with updated technology and performance oriented toward the domestic market and based on the international research and development platform, which is the optimal choice for multiple conditions including road construction/maintenance/cleaning, building engineering construction, forestry, landscape architecture, agriculture, slope finishing/leveling, and elevation/transportation, etc.

▼ XC7-SR07具有安全、可靠、先进、高效等优点。徐工自主设计的径向举升机构，举升能力强，且有单向调平功能，作业效率高。全景驾驶室，标配防落物和防倾翻装置，安全可靠；太空舱式驾驶座舱，配智能高级显示屏的电子实时监控系統，将设计与性能和谐统一，智能化与舒适度大幅度提升。

The XC7-SR07 features safety, reliability, advanced technology, and high efficiency, which is configured with multiple devices including the self-innovative radial elevating mechanism with strong power, unidirectional leveling function, and high operating efficiency, the panoramic driving cab with standard FOPS & ROPS mechanism for safety and reliability, space capsule-type driving compartment with intelligent display screen and real-time electronic monitoring system, to ensure its harmony of design and performance with intelligent and comfortable experience.



核心技术 Core Technology

▼ 动力传动系统：知名品牌发动机，动力强劲、排放环保，满足国三排放法规要求，免维护链轮箱；

Power drive system: The engine is imported from the famous brand with strong power and environmental protection, complying with national III emission, and maintenance-free chain wheel case.

▼ 液压系统：所用原件均选用国际知名品牌，动臂举升调平、机具联无极调速与智能锁定、集中测压和驻车制动功能；

Hydraulic system: The components used are international famous brands, with leveling of lifting arm, infinitely variable speed and smart locking of tools, centralized pressure measurement and parking braking.

▼ 工作装置：徐工自主设计的径向举升机构，举升能力强，通用快换装置。

Working device: XCMG self-innovative radial elevating mechanism with strong power and general fast-changing device.

▼ 电控系统：电液控制，电控互锁安全（互锁超越）

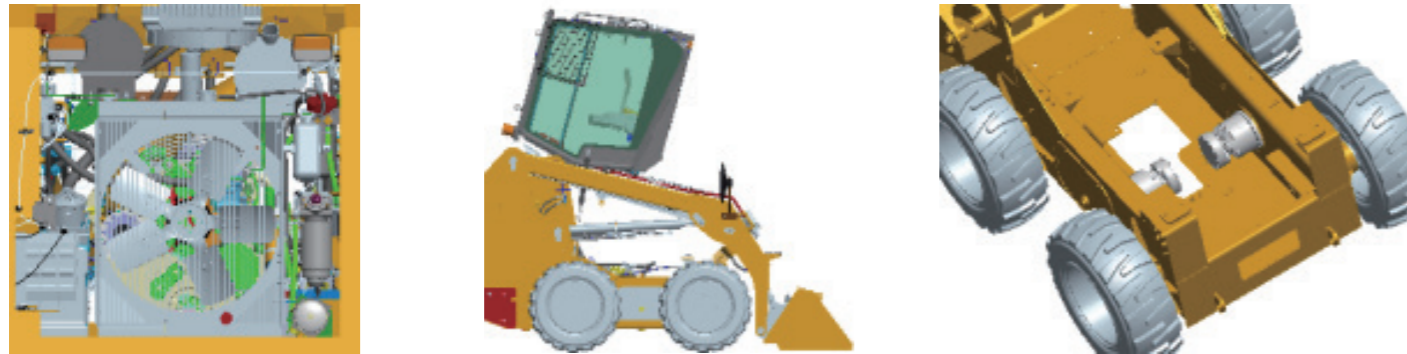
Electrical system: Electro-hydraulic control, electrical interlocking security (interlocking surpass, parking brake).

▼ 驾驶室系统：冷暖一体式微增压空调，悬浮座椅，功能集成型内饰。

Driving cab system: Integrated air conditioner, enhanced air inlet system, suspension seats, and functional integrated interior decoration.

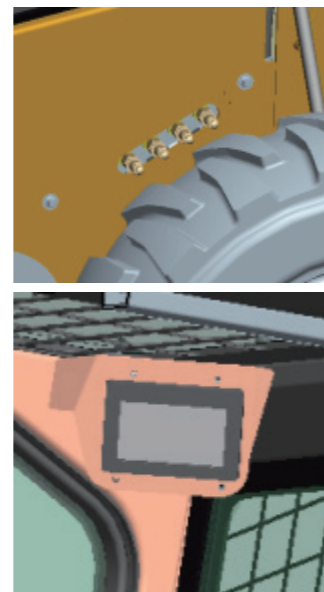
维修性 Maintainability

- ▼ 后罩、上罩可大角度打开，后部维修空间一览无余；
The rear cover and the upper cover can be fully opened for easy maintenance in a sufficient rear space.
- ▼ 驾驶室可实现大角度翻转，液压零部件及管路轻松可及，维保空间大，维修保养简易方便；
The driving cab can be fully turned for easy maintenance of hydraulic parts and pipes in a sufficient space.
- ▼ 驾驶室内有中央控制盒检修窗口，可快速排查相关电路故障，驾驶室内液晶显示屏实时监控发动机故障，可准确显示相关故障代码；
The central control box of the driving cab is configured with an access port for easy troubleshooting of circuit failures, as well as an internal LCD of real-time monitoring on the engine to indicate relevant failure codes.
- ▼ 免维护链轮箱，整体式链轮箱，链条预张紧，加油口和放油口在链轮箱侧面和底面，更换齿轮油方便快捷；
Integrated maintenance-free chain wheel case with chains pre-tensioned, oil inlet and discharge port on the side and bottom of the case respectively for easy replacement of gear oil.



测试性 Testability

- ▼ 车架侧边有液压外部测试接口，测试点方便全面；
The frame is configured with the lateral hydraulic test interface for east testing.
- ▼ 空调压缩机带高低压测试口，方便检测空调系统故障。
The air-conditioning compressor is configured with high and low-pressure test ports for easy system failure detection.
- ▼ 驾驶室显示屏自动读取发动机ECU内转速、水温、油压等信息并显示，无需外接仪器检测；
The display of the driving cab can automatically read and indicate relevant information including internal ECU revolution, water temperature, oil pressure, etc., no external instrument required.



保障性 Technical support

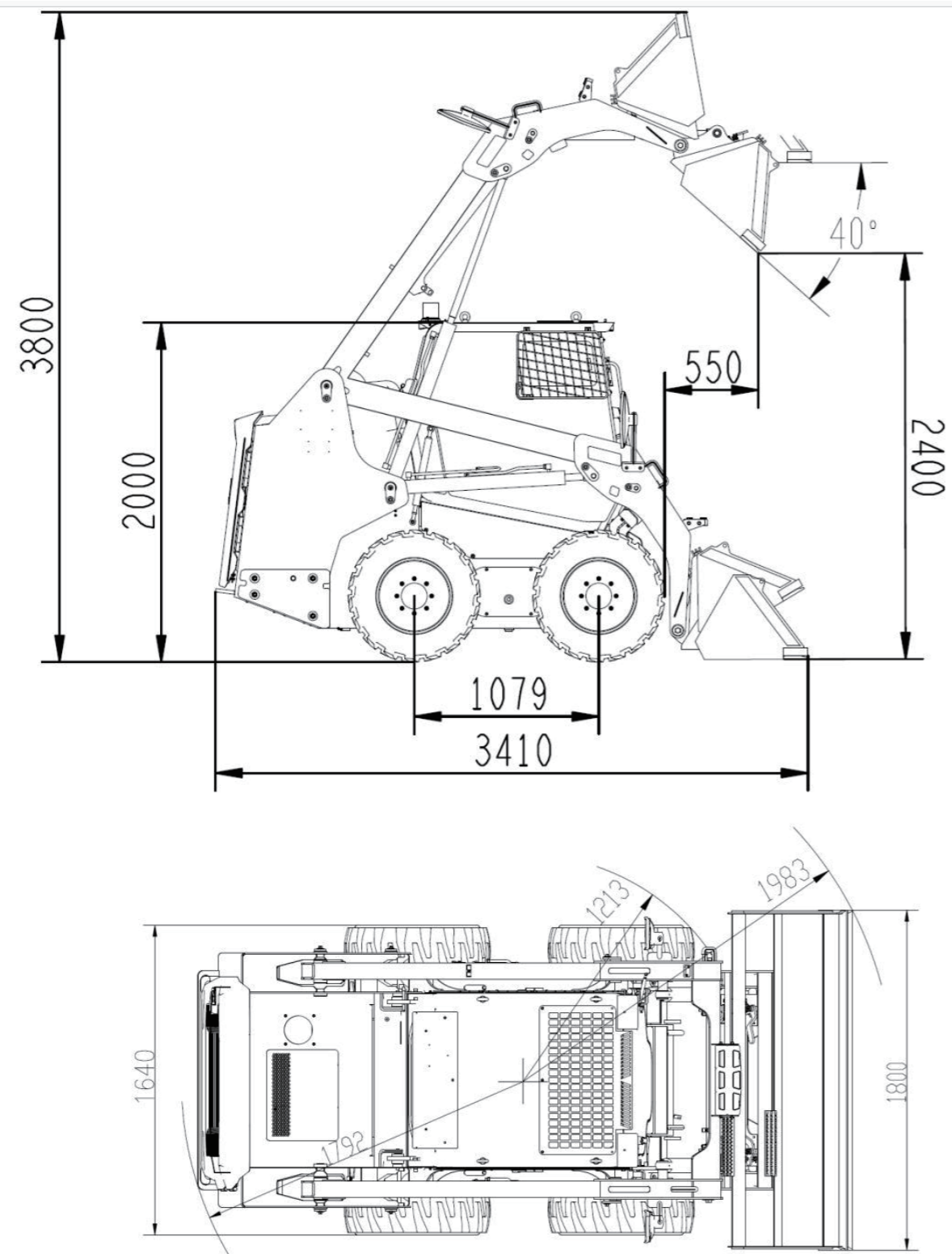
- ▼ 常用易损件、耗材、随车维修工具配备齐全；
Complete set of wearing parts, consumables, and attached maintenance tools.
- ▼ 随车配备操作与保养手册和备件图册；
Attached operation and maintenance manuals and the atlas of spare parts.
- ▼ 驾驶室醒目位置粘贴有操纵手柄标识、整机维护标识、车架上润滑保养标识；
Labels and signs of control handle and maintenance on obvious positions of the driving cab, and the label of lubricating maintenance on the frame.

安全性 Safety

- ▼ 整机在显著位置粘贴有安全警示标识；
Safety warning signs on obvious positions of the machine.
- ▼ 驾驶室内配备安全座椅及安全带，配备灭火器；
The driving cab is configured with the internal safety seat, safety belt, and extinguisher.
- ▼ 驾驶室配备门和安全栏防误操作安全系统；
The driving cab is configured with doors and the safety fence to prevent misoperation.
- ▼ 驾驶室内有熄火落动臂系统，在整机故障下可手动安全落下动臂；
The driving cab is configured with a flameout moving arm declination system to lower the arm in case the machine is faulty.
- ▼ 驾驶室后窗有备用逃生窗口；
The driving cab is configured with a rear emergency escape window.
- ▼ 动臂配备安全支撑；
The moving arm has safety supports.
- ▼ 驾驶室为防滚翻与防落物结构，外侧加装可拆卸防护网，翻转有安全锁；
The ROPS & FOPS driving cab is configured with the external removable protection grid and safety lock.



外形尺寸 Overall dimensions



主要参数 Main specifications

项目 Description	参数 Specifications	单位 Unit
额定载荷 Rated load	795	kg
斗容大小 Bucket capacity	0.45	m ³
整机工作质量 Operating mass	2950	kg
发动机额定功率 Rated power of the engine	36.8	kW
发动机额定转速 Rated speed of the engine	2400	rpm
卸载高度 Dumping height	2400	mm
卸载距离 Dumping range	550	mm
轴距 Wheelbase	1079	mm
轮距 Wheel tread	1370	mm
最大掘起力 Maximum breakout force	≥22	kN
最大牵引力 Maximum traction force	≥28	kN
三项和时间 Total cycle time	≤10	s
行驶速度 Speed	13	km/h