

 **XCMG** SALES  
& SERVICE

# XS123

## VIBRATORY ROLLER



[www.xcmgmachinery.com.au](http://www.xcmgmachinery.com.au)

## INDUSTRY EXPERTISE

XCMG Sales & Service is one of Australia's **fastest growing** construction and mining equipment suppliers.

Offering premium quality excavators, wheel loaders, compaction rollers, graders and mini excavators, XCMG Sales & Service has **the products and the support** to keep you working on any job site.

## MACHINERY SALES

XCMG Sales & Service know construction and mining equipment. You can count on our **dedicated and knowledgeable team** of product experts to take the time to understand and satisfy your machinery needs by recommending the **right solution for the job**.

## RENTALS & HIRE

If you need a high-performance machine with reliability you can **trust**, and the flexibility of hiring, we have you covered.

Our fleet is diverse, with machines to suit almost any job. Furthermore, because our rental fleet is maintained by factory-trained technicians, you can be confident that you'll not only be getting the best machines on the market, but that it's going to **work as hard as you do**, day-in day-out.

## AFTERMARKET SUPPORT

We're here to help keep you and your machine working. With an **exceptional over-the-counter fill rate** on spare parts, you're assured that when you buy a machine from XCMG Sales & Service, you'll be looked after throughout your machine's entire lifetime, from start to finish.

Every service job is as important to us as it is to you, and with a dedicated team of machinery technicians, we have ample resources to look after any of your machine repairs or servicing requirements **quickly and efficiently**.

## ABOUT

**The World's 3rd largest manufacturer of construction and mining equipment.**

*Founded in 1943, 8 decades of experience.*

*Manufacturing in USA, Germany, China, Brazil and India.*

*Extensive supply chain and dealer network throughout Australia.*

*Deep relationships with corporate giants: Rio Tinto, BHP and MMG in Australia.*

## MINI / LARGE EXCAVATORS

1 to 49 Tonne

## WHEEL LOADERS

5 to 100 Tonne

## COMPACTION ROLLERS

1.5 to 30 Tonne Smooth & Padfoot

## GRADERS

7.5 to 70 Tonne

**National Hotline:  
1300 837 391**



## NEWCASTLE (NORTHERN NSW)

Situated in Hexham on the Pacific Highway. Serves the Northern NSW region from the Hawkesbury River to the QLD border. Company headquarters: complete sales, service (in-house / field), hire, parts and corporate shared services.

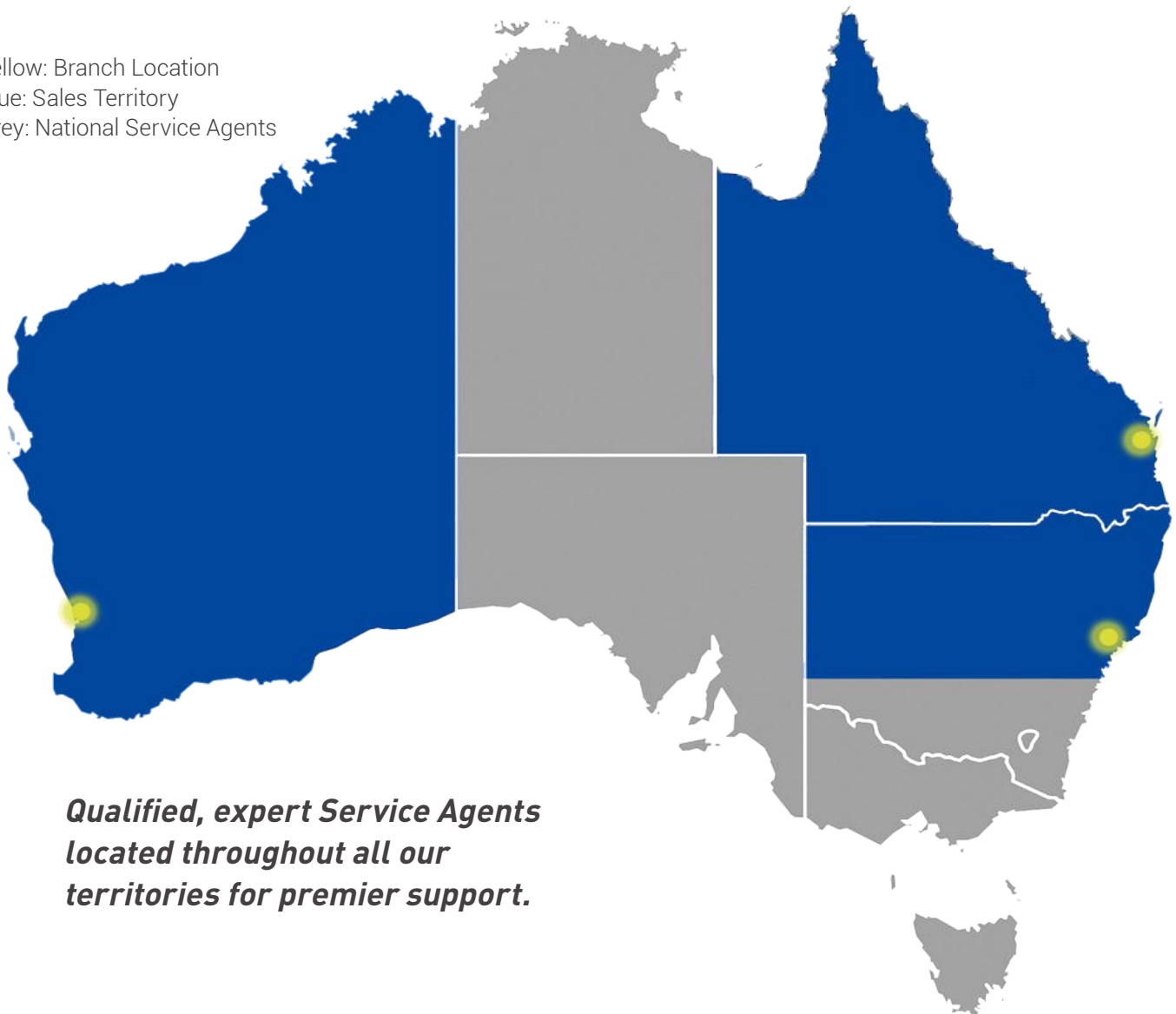
## PERTH (WESTERN AUSTRALIA)

Located in Welshpool just 15 minutes from the CBD, serves the entire state of Western Australia. Sales, rentals, parts and service, including field service capabilities to various mine sites throughout WA.

## BRISBANE (QUEENSLAND)

Situated 30 minutes from the CBD, conveniently located to serve all areas of Queensland. Sales, rentals, parts and service (in-house and field).

Yellow: Branch Location  
Blue: Sales Territory  
Grey: National Service Agents



***Qualified, expert Service Agents  
located throughout all our  
territories for premier support.***

# PERFORMANCE, RELIABILITY & VALUE

## GLOBAL DOMINANCE

XCMG is the World's 3rd largest construction machinery manufacturer, with branches dealers and service agents throughout Australia.

## CUMMINS ENGINE

Renowned Cummins QSF3.8 139 HP / 104 kW water-cooled turbocharged engine with high power reserve, low fuel consumption and low noise emission.

## TORQUE & TRACTION

Medium wet type axle with anti-slip differential delivers auto torque allocation and max traction to suit road conditions, including gravel, mud, asphalt, dirt, aggregate and stones - plus speed control.

## OPTIONAL VARIANTS

The XS123 vibratory drum roller is available as either Smooth Drum or Padfoot Drum variants, offering you options to best suit your requirements.

## EXCELLENT GRADEABILITY

Proportional ASC closed loop hydraulic drive system composed of a variable displacement pump, plus a constant motor.

## EXCEPTIONAL COMPACTION

Variable displacement piston pump and constant displacement hydraulic motor result in dual vibrating frequency and amplitude for excellent compaction.

*Designed to perform...*



# XS123 VIBRATORY ROLLER

## HEAVY DUTY DRUM

Inner-cylinder drum chamber is simple and robust for excellent performance, long lifetime and exceptionally high reliability.

## EFFICIENT MAINTENANCE

Engine hood tilts forward easily and extensively for better access to service and maintenance areas and all fundamental componentry.

## UNMATCHED SUPPORT

Product experts at your local dealer provide exceptional support throughout your machine's lifetime: operation, maintenance and service from the delivery date through to its very last day on the job.

## COMFORTABLE CABIN

Ergonomic setup with air conditioning, CANBUS joystick controls, colour display, suspension seat and much more, for easy operation in maximum comfort.

## WIDE ANGLE VISIBILITY

Intelligently designed windows and a high operator seat position ensure the work area around the drum is clearly visible during operation.

## RELIABILITY & TRUST

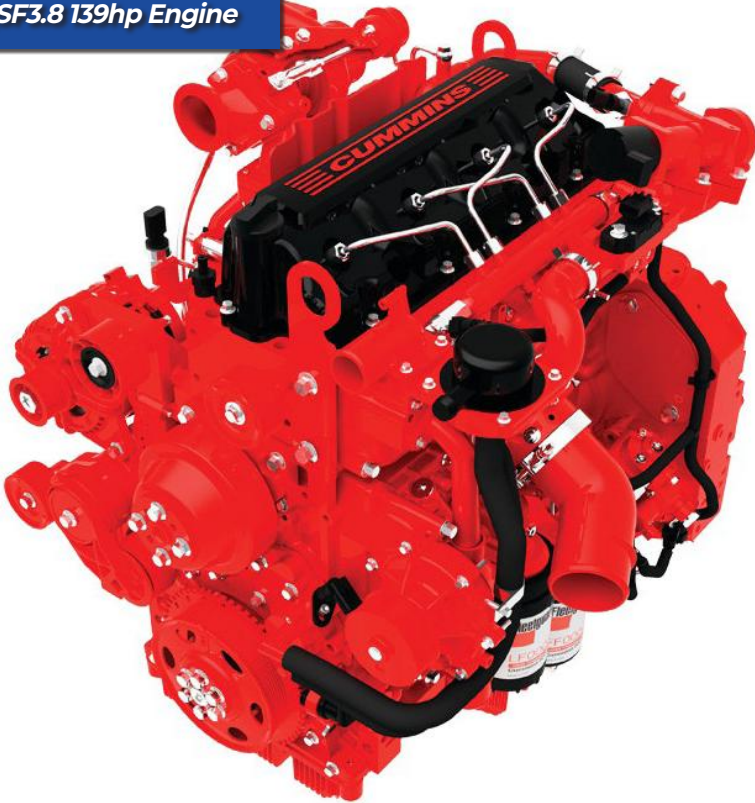
XCMG's key focus is the complete satisfaction and success of every machine owner - making your business as profitable as possible.

*...built to last.*



# XS123 VIBRATORY ROLLER

Renowned Cummins  
QSF3.8 139hp Engine



Padfoot Drum  
Variant Available

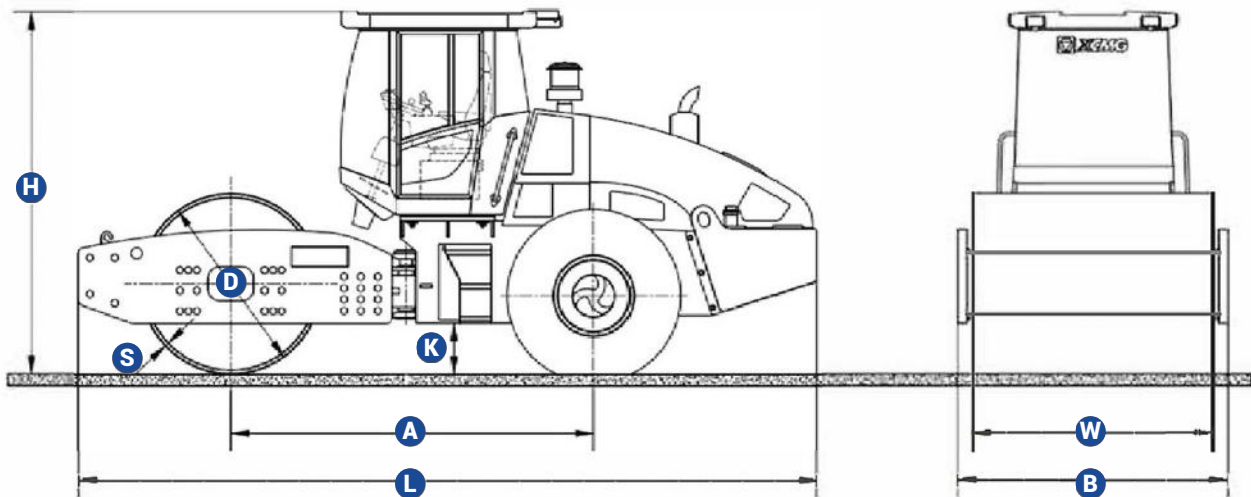


Heavy duty drum for  
exceptional durability

Spacious, comfortable  
cab with display screen



# XS123 SPECIFICATIONS



| Dimensions (mm)   | A    | B    | D    | H    | K   | L    | S  | W    |
|-------------------|------|------|------|------|-----|------|----|------|
| XS123 (Smooth)    | 3010 | 2300 | 1523 | 3150 | 393 | 5940 | 30 | 2130 |
| XS123PD (Padfoot) | 3010 | 2300 | 1523 | 3250 | 443 | 5940 | 30 | 2130 |

| Item                   | Content                             | Unit    | XS123                           | XS123PD                         |
|------------------------|-------------------------------------|---------|---------------------------------|---------------------------------|
| Weight Parameters      | Operating Weight                    | kg      | 12000                           | 12850                           |
|                        | Front Axle Weight                   | kg      | 6700                            | 7550                            |
|                        | Rear Axle Weight                    | kg      | 5300                            | 5300                            |
|                        | Static Linear Load                  | kg/cm   | 31.5                            | -                               |
| Propel Performance     | Operating Speed                     | km/h    | 0-5.5; 0-11.2                   | 0-5.5; 0-11.2                   |
|                        | Theoretical Gradeability            | %       | 45                              | 45                              |
|                        | Minimum Turning Radius              | mm      | 4500/6800                       | 4500/6800                       |
|                        | Ground Clearance                    | mm      | 393                             | 443                             |
|                        | Wheel Base                          | mm      | 3010                            | 3010                            |
|                        | Steering Angle                      | Degrees | + - 30                          | + - 30                          |
|                        | Oscillation Angle                   | Degrees | + - 10                          | + - 10                          |
| Compaction Performance | Braking Distance                    | m       | 3.9                             | 3.9                             |
|                        | Vibration Frequency                 | Hz      | 30/35                           | 30/35                           |
|                        | Nominal Amplitude                   | mm      | 1.8/0.9                         | 1.6/0.8                         |
|                        | Exciting Force (High/Low Freq)      | kN      | 280/190                         | 280/190                         |
|                        | Drum Diameter                       | mm      | 1523                            | 1523                            |
| Hydraulic System       | Drum Width                          | mm      | 2130                            | 2130                            |
|                        | Charge Pressure of Drive System     | MPa     | 2.4                             | 2.4                             |
|                        | Relief Pressure of Drive System     | MPa     | 35                              | 35                              |
|                        | Relief Pressure of Vibration System | MPa     | 30                              | 30                              |
| Engine                 | Relief Pressure of Steering System  | MPa     | 16                              | 16                              |
|                        | Model                               | -       | Cummins QSF3.8                  | Cummins QSF3.8                  |
|                        | Type                                | -       | Electronic Control Water-Cooled | Electronic Control Water-Cooled |
|                        | Rated Power                         | kW / HP | 104 / 139                       | 104 / 139                       |
| Tyres                  | Rated Speed                         | RPM     | 2200                            | 2200                            |
|                        | Spec                                | -       | 23.1-26-12G23TL                 | 23.1-26-12G23TL                 |
|                        | Ply Rating                          | -       | 12                              | 12                              |
|                        | Air Pressure                        | kPa     | 200                             | 170                             |

Note: specifications listed above are correct at October 2021 and are subject to change any time. For additional information visit [www.xcmgmachinery.com.au](http://www.xcmgmachinery.com.au).