



GWM

GO WITH MORE

Chuck more in



GWM Cannon

GWM Cannon. Chuck more in.

Contents	Page 1
Introduction	Page 2
Design	Page 6
Performance	Page 10
Technology	Page 16
Safety	Page 18
Accessories	Page 24
GWM Care	Page 28
Colour	Page 30
Dimensions	Page 32
Specifications	Page 34



Say hello to GWM.

GWM is a world-renowned vehicle manufacturer capable of designing and producing SUVs, utes and powertrains simultaneously. At GWM, everything we do is grounded in our corporate philosophy: ‘improving little by little every day.’ From building world-class research and development systems, which enable continuous innovation, to following the ‘excessive investment’ principle, which drives industry leadership, we relentlessly put our philosophy into practice. We are proud to make vehicles that combine the best components, technology and safety features from around the world. With over 2.5 million ute and pick up’s sold globally (and counting), we are a proud maker of durable utilitarian vehicles for over 25 years. We attribute our success to passion, drive and a commitment to listening to our customers.



Tough never looked so good.

With more style inside, and more power out, we've chucked more in the new Cannon.



Don't be fooled by its rugged exterior, the GWM Cannon is a smooth and sophisticated driving experience. Locally-tuned, independent front suspension, paired with heavy duty rear leaf suspension creates outstanding load-carrying in any terrain.

Discover the thrill of driving in the refined, European designed cabin, with plenty of legroom and all the features you need. Depending on the model, the driver and passengers can also feel the benefit of heated power-adjustable seats*, a clever 360 degree camera* and a huge 12.3 inch colour instrument cluster.



Rugged on the outside. Luxurious inside.

*Ultra and above variants only



Integrated tailgate step ladder⁺



3.5 tonne towing[^]



60/40 split folding seats

[^]2.4L variant only
⁺Ultra and above variants only

We've chucked in more power.



Powered by a new 2.4 litre turbo diesel engine delivering 135kW and 480Nm, the GWM Cannon is a capable partner for just about anything.

When paired with the GWM self-developed 9-speed automatic transmission, the driving experience is nothing short of impressive whether carrying a light load or towing the boat or caravan.

The advanced 4x4 system engineered by respected global supplier Borg Warner provides the driver with superior technology including a rear differential lock and 4WD low range* to tackle tough off-road environments with ease.

*4x4 variants only

**Powered by a
new 2.4 litre turbo
diesel engine
delivering 135kW
and 480Nm.**





More tech? Yep, we've chucked that in.

Staying connected has never been easier with Apple CarPlay® and Android Auto™ standard across the GWM Cannon range and displayed on a crystal clear 12.3 inch colour touchscreen for infotainment on demand.

There's also the added benefit of Wireless Charging, a dedicated Dash Cam USB Port*, Keyless Entry and Push button Start. The GWM Cannon truly is one of the most advanced and convenient utes available today.

*Ultra grade and above



Born tough. Built smart.



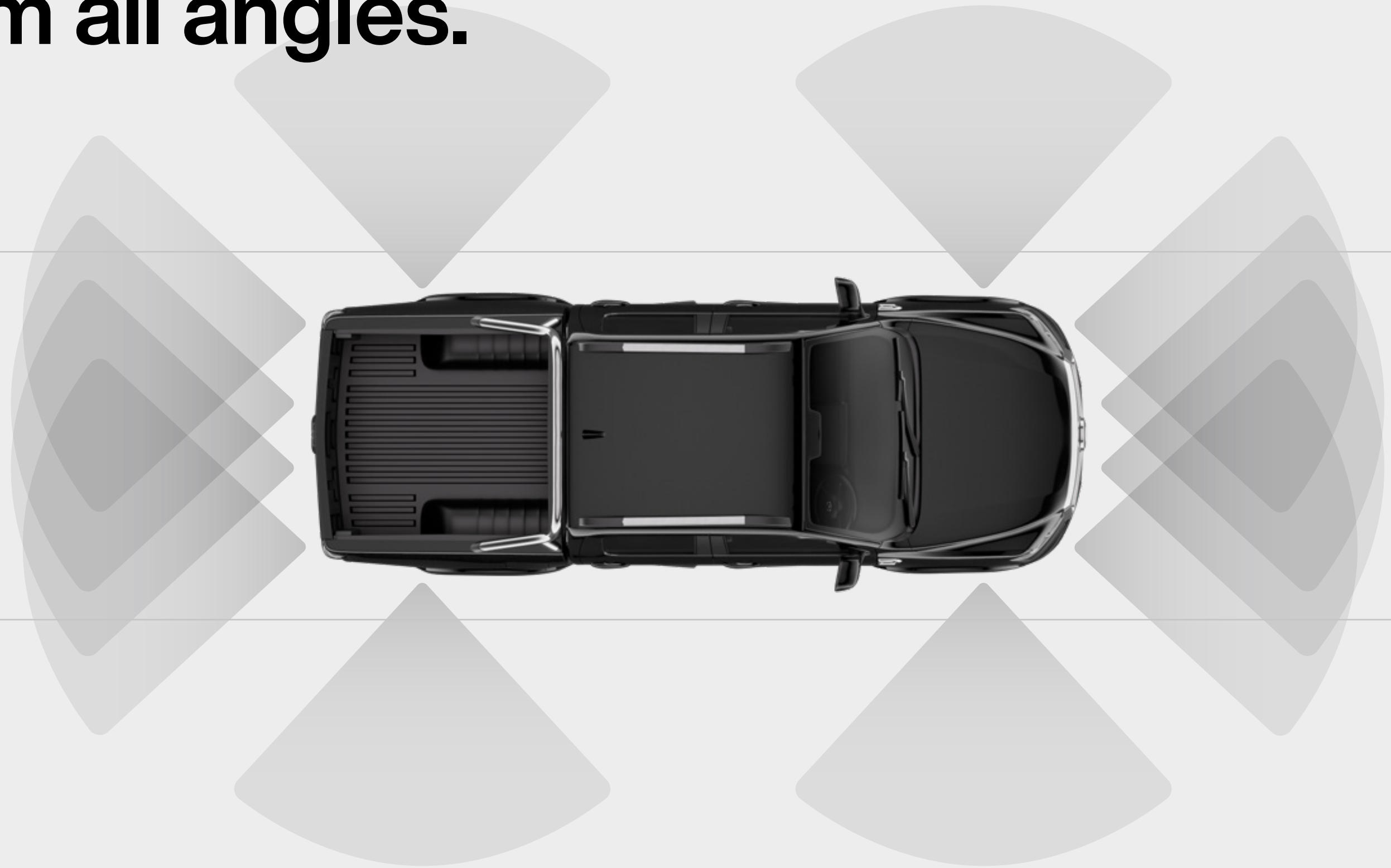
ANCAP Safety test

The GWM Cannon was born to tackle the toughest jobs but it was also built smart with a full suite of comprehensive safety systems designed to protect occupants and other road users.

Having achieved the highest possible 5 star safety rating by ANCAP in 2021*, the GWM Cannon comes with a number of advanced safety features including Autonomous Emergency Braking (AEB), Lane Keep Assist and Adaptive Cruise Control. Whether at work or play, you can be sure that GWM is looking out for you.

*Cannon-XSR variant not ANCAP rated

Protection from all angles.



Smart tech, active and passive safety features and front and side monitoring mean worry-free travel.

The Cannon-XSR is made for roads less travelled.

Built, bred and designed like no other, the XSR is a true 4x4 that completely changes the off-road game for good. With a rugged exterior including full underbody protection, snorkel, as well as front and rear steel bumpers, it'll go anywhere you point it. Plus, with a powerful turbo diesel engine, smart off-road tech, and an impressive collection of active and passive safety features, it will get you home comfortably from wherever it was you were.



GWM Genuine Accessories. For the road ahead.

Visit gwmanz.com/models/ute/cannon/accessories

See your GWM Dealer to confirm Genuine Accessories are suitable for your vehicle prior to ordering, as specifications, applicability, availability and fitment requirements may change over time. Consider combined mass of load and accessories to ensure gross vehicle mass limits are not exceeded. Fitment of certain accessories may require recalibration, relocation or removal of standard equipment (which may be retained by GWM Dealer). The displayed image serves as a representation of the actual part and may vary. Contact your GWM dealer for further information.



Tow Bar Assembly AGP9001100A



Polished Nudge Bar with Bash Plate AGP8002100A



Carpet Floor Mats GJFJ00002P



Roof Rack CSJP02195X



Black Bull Bar AGP8001100A



Cannon Side Step 5150101XPW06A



Black Hard Lid AGP9007200A



Visit [gwmanz.com/models/ute/cannon/accessories](https://www.gwmanz.com/models/ute/cannon/accessories)

More aftercare... chuck it in the ute.

Every GWM comes with GWM Care. It begins from the moment you take delivery of your vehicle and continues long into the future. Wherever the road leads, you can rest assured knowing that your GWM will be kept at its best for many years to come.

7 Year
Unlimited KM
Warranty

5 Year
Roadside
Assist

5 Year
Capped Price
Servicing



GWM vehicles are available in a range of stunning contemporary colours.



Standard Colour



Pearl White

Premium Colour (+\$595)

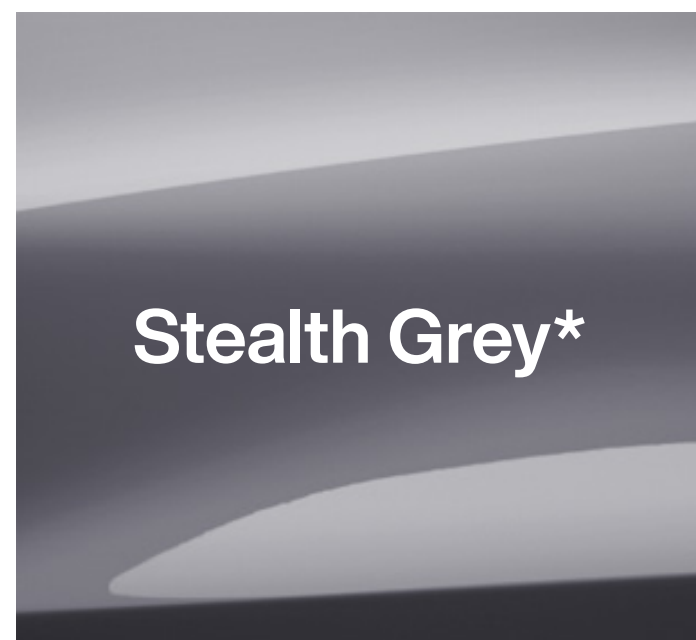


Crystal Black

Premium Colour (+\$595)



Lunar Red



Stealth Grey*

Premium Colour (+\$595)



Sapphire Blue

Premium Colour (+\$595)



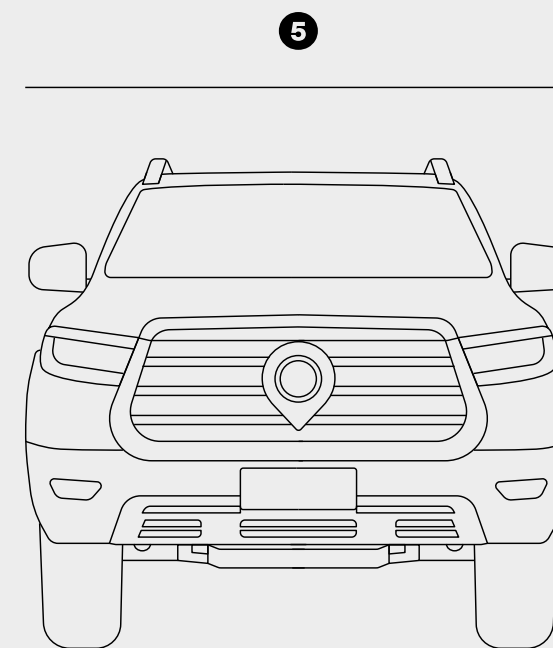
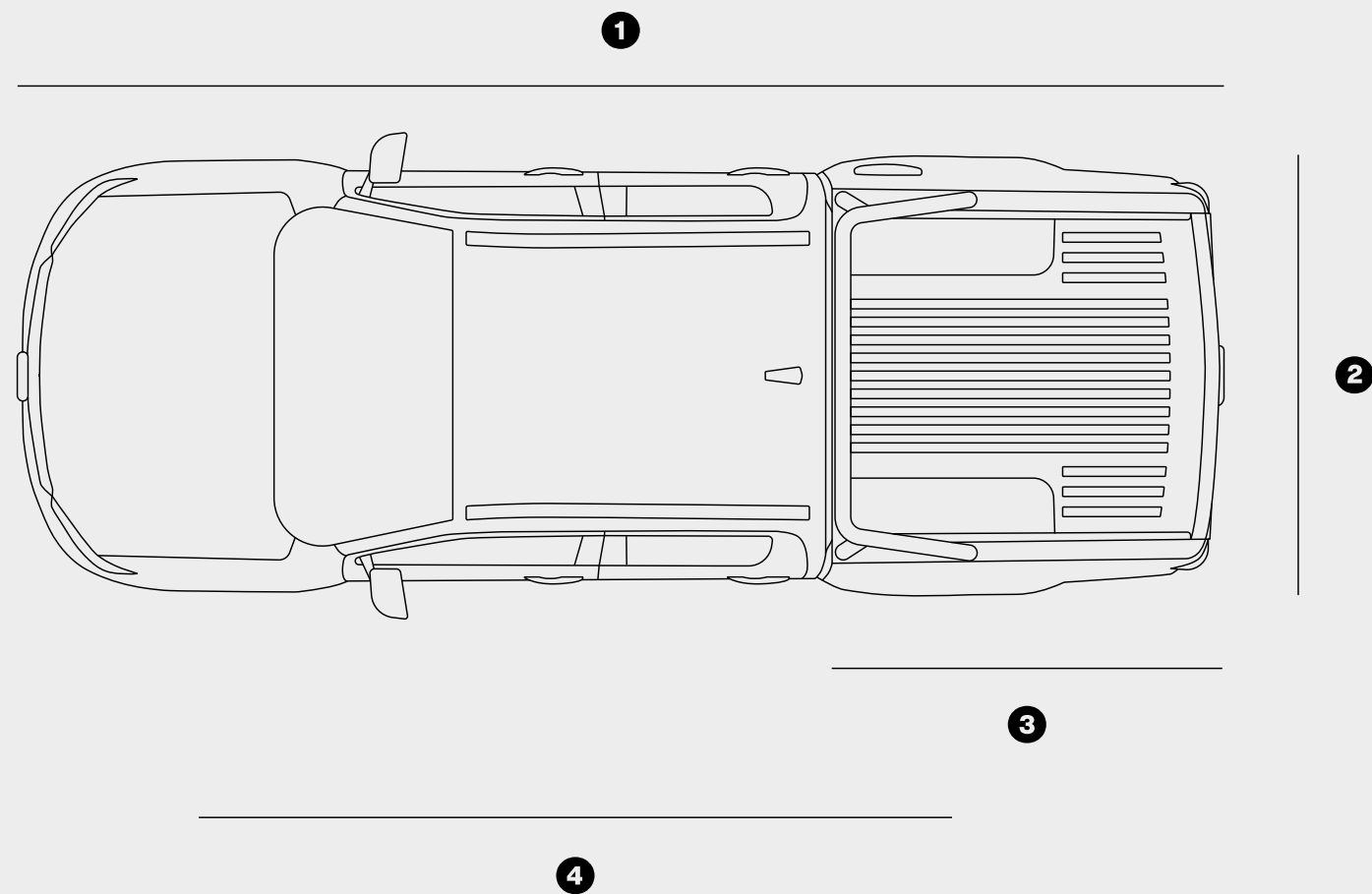
Pittsburgh Silver#

Premium Colour (+\$595)

Colour.

*XSR only. #Not available on Vanta & XSR.

- ① Length: 5416mm
- ② Height: 1884mm
- ③ Wheelbase: 3230mm
- ④ Tray: 1520x1520mm
- ⑤ Width: 1947mm



Dimensions.

*Cannon Ultra model shown

		Cannon Lux Dual Cab	Cannon Ultra Dual Cab	Cannon Vanta Dual Cab	Cannon XSR Dual Cab
DIMENSIONS	Length/Width/Height (mm)	5416*1947*1884	5416*1947*1884	5416*1947*1884	5439*1958*1893
	Tray/tub dimension (mm)	1520*1520*540	1520*1520*540	1520*1520*540	1520*1520*540
	Wheelbase (mm)	3230	3230	3230	3230
	Min. ground clearance (mm)	232	232	232	228
	Approach angle	27	27	27	30
	Departure angle	25	25	25	26
	Wading depth (mm)	500	500	500	700
	Turning circle - kerb to kerb (m)	13.1	13.1	13.1	13.7
ENGINE	Engine Variant	GW4D24	GW4D24	GW4D24	GW4D24
	Fuel Type	Diesel	Diesel	Diesel	Diesel
	Displacement (cm ³)	2370	2370	2370	2370
	Max power (kW@rpm)	135/3600	135/3600	135/3600	135/3600
	Max torque (Nm@rpm)	480/1500-2500	480/1500-2500	480/1500-2500	480/1500-2500
	Compression ratio	16 : 1	16 : 1	16 : 1	16 : 1
	Fuel economy (L/100km) combined ²	8.4	8.4	8.4	8.4
	Fuel economy (L/100km) Urban ²	10.1	10.1	10.1	9.9
	Fuel economy (L/100km) Extra Urban ²	7.5	7.5	7.5	7.5
	Co2 emissions (g/km) combined ²	221g/km	221g/km	221g/km	221g/km
	Emission standard	Euro 5	Euro 5	Euro 5	Euro 5
	850W Electric radiator fan	●	●	●	
	Viscous radiator fan				●
	Engine cover	●	●	●	●
Bonnet insulation	●	●	●	●	
DPF manual burn button	●	●	●	●	
TRANSMISSION	Transmission	9AT	9AT	9AT	9AT
	Drivetrain	4x4	4x4	4x4	4x4
	Gear ratios	1st 5.288	1st 5.288	1st 5.288	1st 5.288
		2nd 3.243	2nd 3.243	2nd 3.243	2nd 3.243
		3rd 2.252	3rd 2.252	3rd 2.252	3rd 2.252
4th 1.636		4th 1.636	4th 1.636	4th 1.636	
5th 1.211	5th 1.211	5th 1.211	5th 1.211		
6th 1.000	6th 1.000	6th 1.000	6th 1.000		
7th 0.867	7th 0.867	7th 0.867	7th 0.867		
8th 0.717	8th 0.717	8th 0.717	8th 0.717		
9th 0.598	9th 0.598	9th 0.598	9th 0.598		
Reverse 4.648	Reverse 4.648	Reverse 4.648	Reverse 4.648		
WEIGHTS AND CAPACITIES	Braked towing capacity	3500	3500	3500	3500
	Unbraked towing capacity	750	750	750	750
	Kerb weight ¹ (kg)	2230	2230	2230	2330
	Front axle load ¹ (kg)	1295	1295	1295	1345
	Rear axle load ¹ (kg)	935	935	935	985
	Max front axle load (kg)	1500	1500	1500	1585
	Max rear axle load (kg)	1950	1950	1950	1850
	Max downball weight (kg)	350	350	350	350
	Payload ¹ (kg)	995	995	995	875
	Gross Vehicle Mass (kg)	3225	3225	3225	3205
	Gross Combined Mass (kg)	6200	6200	6200	6300
	Tare weight (kg)	2173	2173	2173	2273
	Seating capacity	5	5	5	5
Wading depth (mm)	500	500	500	700	
Fuel tank capacity (L)	78L	78L	78L	78L	

Specifications.

		Cannon Lux Dual Cab	Cannon Ultra Dual Cab	Cannon Vanta Dual Cab	Cannon XSR Dual Cab
SUSPENSION	Front suspension			Front: coil spring double wishbone	
	Rear suspension			Rear: leaf spring live axle	
BRAKES	Front and rear			Front & rear: vented disc brakes	
	Electronic park brake with auto hold	●	●	●	●
	Red Brake Caliper	-	-	-	●
WHEELS	Wheel description	18" two tone machined alloy wheel		18" black alloy wheel- design 1	18" black alloy wheel- design 2
	Wheel spec	18x8J	18x8J	18x8J	18x8J
	Tyre spec	265/60 R18 HT	265/60 R18 HT	265/60 R18 HT	265/60 R18 AT
	Spare wheel	Steel 265/60 R18	Steel 265/60 R18	Steel 265/60 R18	Steel 265/60 R18
CHASSIS & STEERING	Electric power steering	●	●	●	●
	4 way steering wheel adjustment	●	●	●	●
	Steering Mode Adjustment (Sport/Comfort/Light)	●	●	●	●
	Front Differential Lock (Electric)	-	-	-	●
	Rear Differential Lock (Electric)	●	●	●	●
	Low range transfer case	●	●	●	●
	Torque on demand 4x4	●	●	●	-
	Part-time 4x4	-	-	-	●
	Driving Modes		Standard, Sport, Eco, 4H, 4L		2H, 4H, 4L Snow, Mud, Sand
	All Terrain response	-	-	-	●
	Expert mode	-	-	-	●
EXTERIOR	Sports bar chrome	●	●	-	-
	Sports bar black	-	-	●	●
	Side step - fixed	●	●	-	-
	Black side step - fixed	-	-	●	-
	Metal side step - fixed	-	-	-	●
	Front grille - machine grey	●	●	-	-
	Front grille - matte black	-	-	●	-
	Front grille - XSR	-	-	-	●
	Snorkel	-	-	-	●
	Wheel arche - body colour	●	●	-	-
	Wheel arche - matt black	-	-	●	●
	Under carriage protection	●	●	●	●
	Body coloured mirror covers	●	●	-	●
	Matte black mirror covers	-	-	●	-
	Door Handle: Body colour	●	●	-	●
	Door Handle: Matt black	-	-	●	-
	Automatic Windscreen Wipers	●	●	●	●
	Roof Rails	●	●	●	●
	Sunroof	-	●	●	●
	Shark fin antenna	●	●	●	●
	Spray on tub liner	●	●	●	●
	Tailgate step	-	●	●	●
Tailgate dampener	●	●	●	●	
Tailgate central locking	●	●	●	●	
One piece tailgate	●	●	●	●	
INTERIOR	Sunglasses holder	●	●	●	●
	Faux leather steering wheel	●	●	●	●
	Heated steering wheel	-	●	●	●
	Paddle shifter	●	●	●	●
	Multi-function steering wheel	●	●	●	●
	Auto window + anti pinch (Driver)	●	-	-	-

		Cannon Lux Dual Cab	Cannon Ultra Dual Cab	Cannon Vanta Dual Cab	Cannon XSR Dual Cab
	Auto window + anti pinch (All)	-	●	●	●
	12V accessories buttons	3	3	3	3
	Wireless Charger - Front	●	●	●	●
	Standard style seats	●	●	●	●
	Drive mode memory	●	●	●	●
	A pillar grab handles	●	●	●	●
	Front row seat belt warning	●	●	●	●
	Second row seat belt warning	●	●	●	●
	Emergency fuel cut off	●	●	●	●
	Emergency Driving Record	●	●	●	●
	Adjustable over speed alert - KM	●	●	●	●
	Remote central locking	●	●	●	●
	Crash auto unlock	●	●	●	●
	Trip computer	●	●	●	●
SEATS	Faux leather seats	●	-	-	-
	Leather accented seat	-	●	●	●
	Front Seats: heated + ventilated	-	●	●	●
	Driver 6-way power adjustable seat & front passenger 4-way power adjustable seat	-	●	●	●
	Driver 6-way man. adjustable seat & front passenger 4-way man. adjustable seat	●	-	-	-
	2nd row folding seats: 60:40	●	●	●	●
	2nd row seats: center armrest	●	●	●	●
	Front Seat: Manual 2-way adjustable head rest	●	●	●	●
ENTERTAINMENT	7" digital instrument cluster	●	●	●	●
	Digital Radio (DAB+)	●	●	●	●
	Bluetooth®	●	●	●	●
	12.3" full colour touch screen infotainment system	●	●	●	●
	Front & rear USB A & C	●	●	●	●
	USB Port for Dash camera	-	●	●	●
	6 speakers	●	●	●	●
	Wireless Apple CarPlay® + Wireless Android Auto™	●	●	●	●
	Adaptive volume control	●	●	●	●
	Voice command	●	●	●	●
SECURITY	Smart entry (front)	●	●	●	●
	Push button start	●	●	●	●
	Remote engine start	●	●	●	●
	Speed Sensing Central Locking (15KM/H)	●	●	●	●
	Rear privacy glass	-	●	●	●
	Auto fold + Power adjust mirrors with indicator	●	●	●	●
	Sunvisor with illuminated vanity mirror	●	●	●	●
	Manual-dimming rear view mirror	●	-	-	-
	Auto-dimming rear view mirror	-	●	●	●
	Rear demister	●	●	●	●
SAFETY	Type Pressure Monitor System (TPMS)	●	●	●	●
	Trailer sway mitigation	●	●	●	●
	7 airbags: 2x front, 2x side, 2x curtain, 1x center	●	●	●	●
	Driver & Front Passenger SRS Airbags	●	●	●	●
	Front Seatbelt Pre-tensioners With Load Limiters	●	●	●	●
	ISOFIX Child Restraint Anchorage Points (Outer Rear Seats)	●	●	●	●
		Rear door child locks	●	●	●
	Electronic Stability Control	●	●	●	●

		Cannon Lux Dual Cab	Cannon Ultra Dual Cab	Cannon Vanta Dual Cab	Cannon XSR Dual Cab
	Brake Assist System (BAS)	●	●	●	●
	Hill Ascent/Descent Control	●	●	●	●
	Vehicle dynamic control system ⁶	●	●	●	●
	Adaptive Cruise Control (ACC)	●	●	●	●
	Auto Emergency Brake (AEB)	●	●	●	●
	AEB junction assist	●	●	●	●
	Front Collision Warning (FCW) pedestrian + cyclist	●	●	●	●
	Lane Departure Warning (LDW)	●	●	●	●
	Lane Keeping Assist (LKA)	●	●	●	●
	Lane Central Keeping (LCK)	●	●	●	●
	Traffic Sign Recognition (TSR)	●	●	●	●
	Traffic Jam Assist (TJA)	●	●	●	●
	ICA + Intelligent Turning	●	●	●	●
	Emergency Lane Keeping (ELK)	●	●	●	-
	Smart Dodge	●	●	●	-
	Door Open Warning (DOW)	●	●	●	-
	Rear Collision Warning (RCW)	●	●	●	-
	Blind Spot Monitor (BSM)	●	●	●	-
	Lane Change Assist (LCA)	●	●	●	-
	Rear Cross Traffic Alert (With Brake)	●	●	●	-
	Electric park brake with Auto hold	●	●	●	●
	Emergency Signal System (ESS)	●	●	●	●
	Driver Fatigue Monitor System (DFMS)	●	●	●	●
	360° View Monitor	-	●	●	●
	Reversing Camera	●	-	-	-
	Front Parking Sensor x2	-	●	●	●
	Rear Parking Sensor x2	●	●	●	●
LIGHTING	Auto LED Headlights	●	●	●	●
	Headlight "Follow me home" function	●	●	●	●
	High-mounted brake light	●	●	●	●
	LED Taillights	●	●	●	●
	Auto low beam	●	●	●	●
	Auto high beam	●	●	●	●
	Front fog lamp with Steering	●	●	●	-
	LED Rear Fog lamp	●	●	●	●
	DRL (Daytime Running Light)	●	●	●	●
	Headlight "Follow me home" function	●	●	●	●
	Electric headlight levelling	●	●	●	●
	Ambient lighting	-	●	●	●
	Reading lamp	●	●	●	●
	Ceiling lamp	●	●	●	●
	Front footwell lamp	-	●	●	●
	Sequential LED indicators	●	●	●	●
AIR CONDITIONING	Climate control aircon	●	●	●	●
	N95 grade dust filter	●	●	●	●
	Rear A/C outlet - top/under	●	●	●	●

¹Weights/mass/volumes/dimensions are approximate and subject to individual vehicle variances, and should be confirmed before fitting any accessories, towing or otherwise relying on this value

²Results achieved in ADR81/02 fuel consumption testing. Results produced in laboratory test conditions, using sample vehicles without fitment of accessories/customisation, and do not reflect real world driving. Figures should only be used for comparative purposes.

³Towing capacity subject to regulatory requirements, tow bar and vehicle design and towing equipment limitations.

⁴Android Auto™ is a trademark of Google LLC. Requires compatible device, USB connection, mobile data, network reception and GPS signal. Mobile usage at user's cost. Functionality subject to change.

⁵CarPlay® is a trademark of Apple Inc in the U.S. and other countries. Requires compatible device, USB connection, mobile data, network reception and GPS signal. Mobile usage at user's cost. Functionality subject to change.

⁶Vehicle dynamic control system includes Anti lock Brake System (ABS), Electronic Brake pressure Distribution (EBD), Traction Control System (TCS), Roll-over Mitigation Intervention (RMI), Electronic Stability Control (ESC)



For more information visit gwmanz.com/au

GWM Australia reserve the right to alter vehicle specifications and equipment levels without notice. Some equipment featured on vehicles in this brochure may not be available or may be optional. To the extent permitted by law, GWM Australia shall not be liable to any person as a result of reliance on the content of the brochure. Always check with your local GWM Dealer for the latest product specifications.

Information in this brochure is current as at 30/01/2025.

Edition Code: GWMA 20250130.

Copyright © GWMA. All rights reserved.