



GWM

GO WITH MORE

Power Through More



GWM Haval H6GT Plug-In Hybrid

GO WITH MORE

GWM Haval H6GT.

The sleek and practical coupe SUV.

Contents	Page 1
Introduction	Page 2
Design	Page 6
Performance	Page 12
Technology	Page 18
Safety	Page 20
Colour	Page 26
Dimensions	Page 28
Specifications	Page 30



Say hello to GWM Haval H6GT.

GWM is a world-renowned vehicle manufacturer capable of designing and producing SUVs, utes and powertrains simultaneously. At GWM, everything we do is grounded in our corporate philosophy: ‘improving little by little every day.’ From building world-class research and development systems, which enable continuous innovation, to following the ‘excessive investment’ principle, which drives industry leadership, we relentlessly put our philosophy into practice. With nearly 8 million sales to date, in more than 170 countries (and counting), we are the No. 1 SUV brand in the world’s largest market and have been for the past 9 years. Our brand vision is to pioneer global mobility solutions, which use innovative technology to deliver a more pleasurable driving experience. Through innovation and global collaboration, we continue to improve our vehicles’ reliability, safety, performance, design and technology.

GWM Haval H6GT. The best of both worlds.

Part striking coupe, part smart SUV, the H6GT is for those who seek a sporty design that's effortlessly practical. Now available as a plug-in hybrid (PHEV), it offers 180km of pure electric performance, plus turbo petrol when you want to go the distance – and then some, up to 1000km.



19" alloy wheels



LED headlights and tail lights



Panoramic sunroof

Engineered for individuality.

From the front to the back, the top to the bottom, every inch of the H6GT has been meticulously thought out. Whether you're ducking out to the shops, or on a road-trip, your best accessory will always be with you.



Rear Seats 60/40 Split



12.3 inch Full Colour Touch Screen Infotainment System



Rotary gear shift dial



Refined leather detailing

**Power is in
the details.**



Multi-function steering and center console



Spacious boot design

Unplug and Play.



The H6GT is available in both PHEV and petrol, with the option of 4WD to tackle anything. The PHEV pairs a 1.5L turbocharged engine with individual electric motors on both front and rear axles. Providing 762Nm* of torque and 180km of best-in-class electric range. Prefer petrol? The 2.0L turbo engine is paired with a 7-speed dual-clutch transmission, for crisp gear shifts and a more direct drive feel.

**Life's a blur?
How good.
Petrol or Plug-In,
the GWM H6GT
PHEV will get you
up to speed, fast.**





Drive smart.

From the digital instrument panel and heated seats, to the voice command or LED dash lighting, the H6GT PHEV dash lighting and panoramic sunroof, the H6GT comes with an array of advanced features to make every drive seamless and comfortable, wherever you go. Just say, "Hello GWM", to activate Voice Command and control the climate settings, open the sunroof, adjust the media volume and more with your voice - helping you keep your eyes on the road and hands on the wheel.



Safety in every journey.



TESTED 2022 ★ ★ ★ ★ ★



ANCAP Safety test

This sporty and stylish SUV is also unbelievably safe. Having achieved the highest possible 5 star safety rating by ANCAP, the Haval H6GT comes with a comprehensive suite of safety systems designed to protect you and others on the road. Advanced safety features including Intelligent Adaptive Cruise Control, Lane Keep Assist, Traffic Sign Recognition, Traffic Jam Assist, and Auto Parking Assist* all combine to give you peace of mind knowing that GWM is looking out for you and everyone else around you every time you drive.

*Petrol is the only one with ANCAP 2022 rating

Protection from all angles.



The smart active and passive safety technologies found inside the H6GT Plug-In including Auto Emergency Braking, Rear Cross Traffic Assist, Lane Departure Warning, Blind Spot Detection and a 360-view camera, will let you know who or what's in front, behind and either side of you every time you take the vehicle out for a drive.

GWM Care.

Every GWM comes with GWM Care. It begins from the moment you take delivery of your vehicle and continues long into the future. Wherever the road leads, you can rest assured knowing that your GWM will be kept at its best for many years to come.

8 Year
Battery Pack
Warranty*

7 Year
Unlimited KM
Warranty

5 Year
Roadside
Assist

*Plug-in Hybrid only.



GWM vehicles are available in a range of stunning contemporary colours.



Standard Colour

Hamilton White

Premium Colour

Golden Black

Premium Colour

Atlantis Blue

Crayon Grey

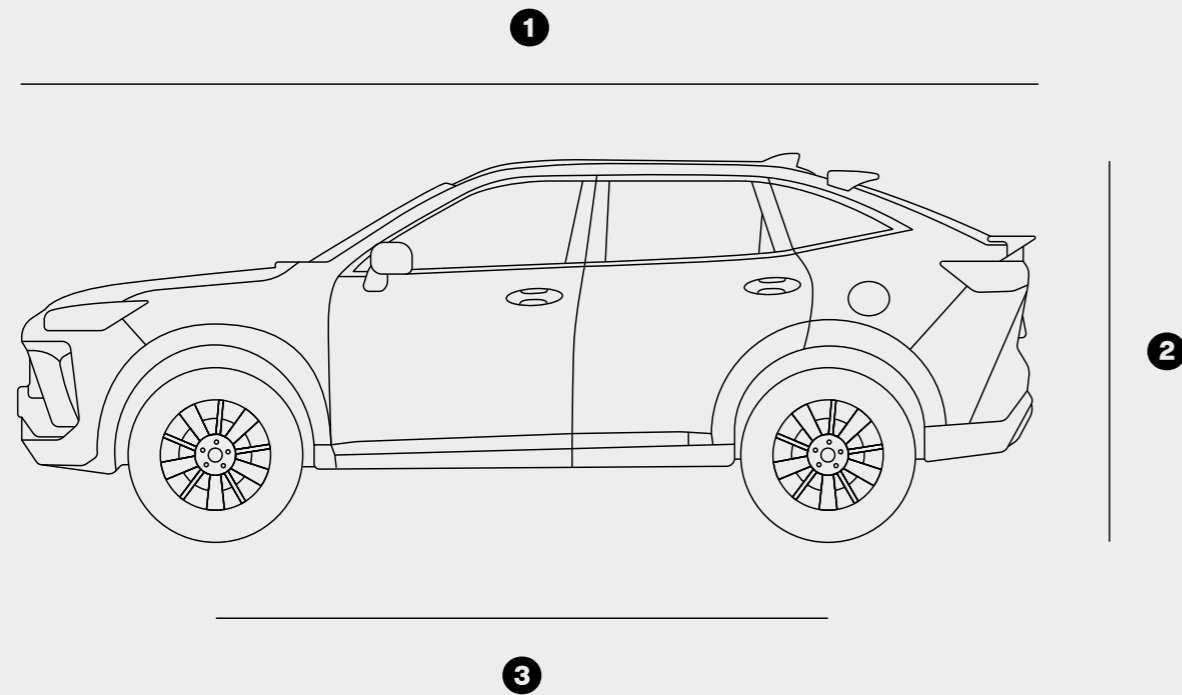
Burgundy Red

Premium Colour

Premium Colour

Colour.

- ① Length: 4727mm
- ② Height: 1729mm
- ③ Wheelbase: 2738mm
- ④ Width: 1940mm



Dimensions.

		Ultra 4WD	Ultra PHEV 4WD
Dimensions	Length/Width/Height (mm)	4727x1940x1729	4727x1940x1729
	Wheelbase (mm)	2738	2738
Engine	2.0L Turbo Petrol	●	-
	1.5L Turbo Hybrid	-	●
	Displacement (cm ³)	1998	1499
	Max power (kW@rpm)	150 @ 6000-6300	110 @ 5500-6000
	Max torque (Nm@rpm)	320 @ 1500 - 4000	230 @ 1500-4000
	Front motor max output (kW)	-	130 @ 4200-7000
	Rear motor max output (kW)	-	135 @ 5600-7000
	Combined max power (kW)	-	321
	Combined max torque (Nm)	-	762
	Bore x stroke (mm)	82 x 94.6	75 x 84.9
	Compression ratio	12.0 : 1	11.8 : 1
	Fuel economy (L/100km) combined ²	8.4	0.8
	Carbon Dioxide Emissions (g/100km)	193	19
	Combined fuel consumption Condition A	-	0.2
Combined fuel consumption Condition B	-	5.4	
Recommended fuel octane rating	91	91	
Battery	Battery chemistry	-	Ternary lithium battery
	Battery capacity	-	35.43 kWh
	Battery voltage	-	310.8 v
	Max AC charge rate	-	6.6 kW
	Max DC charge rate	-	48 kW
	V2L max output	-	3.3 kW
	EV range	-	180km
Transmission	Transmission	7-Speed dual clutch	2-Speed DHT
	Driveline	4WD	4WD
	Gear ratios	1st 3.688:1, 2nd 2.684:1, 3rd 1.679:1, 4th 1.022:1, 5th 0.830:1, 6th 0.804:1, 7th 0.642:1, Reverse 3.598:1	1st 1.163:1, 2nd 0.730:1, Reverse 10.593:1
Wheels	Size	19" Alloy Wheel Black	19" Alloy Wheel Black
	Spare wheel	T135/90R17	Tyre repair kit
Brakes	Front and rear	Front: Ventilated disc brake / Rear: Solid disc brake	Front: Ventilated disc brake / Rear: Ventilated disc brake
	Front brake size	Single piston (60mm) calliper - 328.5mm	Twin piston (48mm) calliper - 340mm
	Rear brake	Single piston (38mm)	Single piston (42mm)
	Electronic park brake with brake hold	●	●
Single pedal mode	-	●	
Chassis and Steering	Suspension	Front: Macpherson / Rear: Multi lin	
	Turning circle - kerb to kerb (m)	12.0	12.0
	Driving Modes - 4WD (Standard modes + All Terrain Response System)	●	-
	Driving modes - 4WD (Normal + ECO + Sport + Snow + Sand + Mud)	-	●
	Power modes - EV + Intelligent + EV priority	-	●
	Wade mode	-	●
	Launch control	-	●
	Steering mode	Comfort, Sport, Light	
Intelligent Start Stop	●	-	

Specifications.

		Ultra 4WD	Ultra PHEV 4WD
Weights and Capacities	Towing capacity ³ - with trailer brakes	2,000	1,500
	Towing capacity ³ - without trailer brakes	750	750
	Tare weight ¹ (kg)	1615	2,041
	Kerb weight ¹ (kg)	1,680	2,075
	Gross Vehicle Mass ¹ (kg)	2,100	2,525
	Seating capacity	5	5
	Luggage capacity (L) Minimum	392	392
	Luggage capacity (L) Maximum	1390	1390
Fuel tank capacity (L)	60	55	
Exterior	Electric Tail Gate with hands-free opening & Memory Function	●	●
	Automatic Windscreen Wipers	●	●
	Roof Rails	●	●
	Panoramic Sunroof	●	●
	Shark Fin Aerial	●	●
Interior	Multi - Function Steering Wheel	●	●
	Microfibre Faux Leather Steering Wheel	●	●
	Heated Steering Wheel	●	●
	Paddle Shifter	●	-
	4 - Way Manually Adjustable Steering Wheel	●	●
	Illuminated sun-visor with vanity mirror	●	●
	Wireless Charging	●	●
	Front 12V Power	●	●
	Luggage Cabin 12V Power	●	●
Dash cam USB port	●	●	
Cargo Cover	●	●	
Seats	Comfort-Tek grey suede leather accented seat trim	●	●
	8-way electric adjustable driver seat including 2-way lumbar support	●	●
	4-way electric adjustable front passenger seat	●	●
	Front heated & ventilated seats	●	●
	Rear Seats 60/40 Split	●	●
Entertainment	10.25 inch digital cluster	●	●
	Radio FM / AM	●	●
	Bluetooth hands free link system	●	●
	12.3 inch full colour touch screen infotainment system	●	●
	2x Front USB with charge & data	●	●
	2x Rear USB with charge	●	●
	8 Speakers	●	●
Wired Apple Carplay® + Android Auto™	●	●	
HUD (Heads Up Display)	●	●	
Security	Keyless Entry System	●	●
	Push button start	●	●
	Anti-theft immobiliser	●	●
	Burglar alarm	●	●

		Ultra 4WD	Ultra PHEV 4WD
Glass	Rear privacy glass	●	●
	Anti glare rear view mirror - Auto	●	●
	Four window: one touch up & down + anti-pinch	●	●
	Key fob window close function	●	●
	Heated door mirrors	●	●
	Power adjustable heated door mirrors + electric fold + Indicator + auto fold	●	●
Safety	Dual SRS airbags	●	●
	Front Side airbags	●	●
	Centre airbag	●	●
	Curtain airbags	●	●
	Front seat belts: Pre-tensioners with load limiters	●	●
	Outer rear seat belts: Pre-tensioners with load limiters	●	●
	Seatbelt reminder (all seats)	●	●
	ISOFIX	●	●
	Child Safety Lock	●	●
	ESC (Electronic Stability control)	●	●
	TCS (Traction Control System)	●	●
	RMI (Roll Movement Intervention)	●	●
	BA (Brake Assist)	●	●
	HDC (Hill Descent Control)	●	●
	HHC (Hill-Start Assist Control)	●	●
	BOS (Brake Override System)	●	●
	TPMS (Tyre Pressure Management System)	●	●
	Front Parking Sensors	●	●
	Rear Parking Sensors	●	●
	360° view monitor	●	●
	Auto Parking Assist	●	●
	Reverse Assist	●	●
	ACC (Adaptive Cruise Control) with Stop and Go	●	●
	Intelligent Cornering Control	●	●
	Intelligent Dodge	●	●
	ELK (Emergency Lane Keep)	●	●
	RCTA (Rear Crossing Traffic Alert)	●	●
	RCTB (Rear Crossing Traffic Braking)	●	●
	FCW (Forward Collision Warning)	●	●
	LDW (Lane Departure Warning)	●	●
	LKA (Lane Keeping Assist)	●	●
	LCK (Lane Centre Keeping)	●	●
	AEB (Automatic Emergency Braking) Pedestrian, Bicycle & Crossroads	●	●
TSR (Traffic Sign Recognition)	●	●	

Specifications.

		Ultra 4WD	Ultra PHEV 4WD
Safety (Continued)	Lane Change Assist	●	●
	RCW (Rear Collision Warning)	●	●
	DOW (Door Open Warning)	●	●
	TJA (Traffic Jam Assist)	●	●
	ICA (Intelligent Cruise Assistance)	●	●
	IACC (ACC Integrate TSR)	●	●
	Driver Drowsiness Detection	●	●
Lighting	LED Headlights	●	●
	LED Tail Lights	●	●
	Automatic Headlights + "Follow Me Home" Function	●	●
	LED Front Fog Lights	●	●
	Fog Lights with Assist Lighting Function	●	●
	LED Rear Fog Lights	●	●
	DRL (Daytime Running Lights)	●	●
Air Conditioning	Ambient Lighting (Single Colour)	●	●
	Dual-Zone Automatic Air Conditioning	●	●
	Auto Demisting	●	●
	Rear Passenger Air Vents	●	●

- 1 Weights/mass/volumes/dimensions are approximate and subject to individual vehicle variances, and should be confirmed before fitting any accessories, towing or otherwise relying on this value.
- 2 Results achieved in ADR81/02 fuel consumption testing. Results produced in laboratory test conditions, using sample vehicles without fitment of accessories/customisation, and do not reflect real world driving. Figures should only be used for comparative purposes.
- 3 Towing capacity subject to regulatory requirements, tow bar and vehicle design and towing equipment limitations.
- 4 Android Auto™ is a trademark of Google LLC. Requires compatible device, USB connection, mobile data, network reception and GPS signal. Mobile usage at user's cost. Functionality subject to change.
- 5 CarPlay® is a trademark of Apple Inc in the U.S. and other countries. Requires compatible device, USB connection, mobile data, network reception and GPS signal. Mobile usage at user's cost. Functionality subject to change.





For more information visit gwmnz.com/nz

GWM New Zealand reserve the right to alter vehicle specifications and equipment levels without notice. Some equipment featured on vehicles in this brochure may not be available or may be optional. To the extent permitted by law, GWM New Zealand shall not be liable to any person as a result of reliance on the content of the brochure. Always check with your local GWM Dealer for the latest product specifications.

Information in this brochure is current as at 24/02/2025.

Edition Code: GWMNZ 20250224.

Copyright © GWMNZ. All rights reserved.