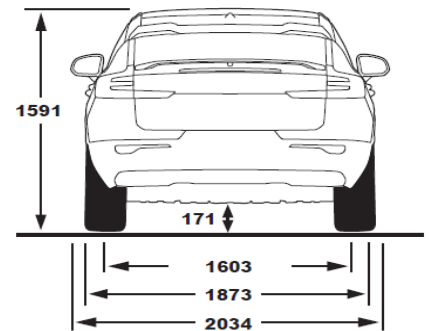
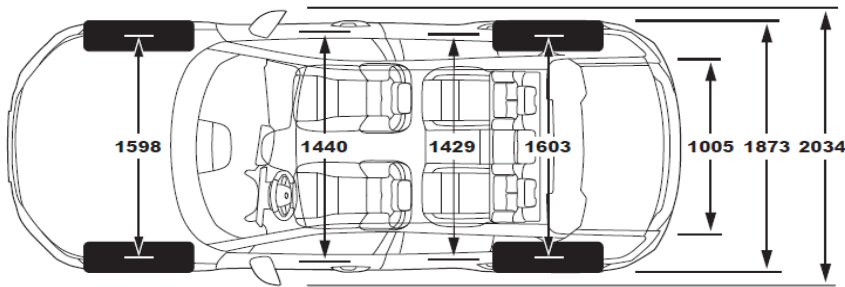
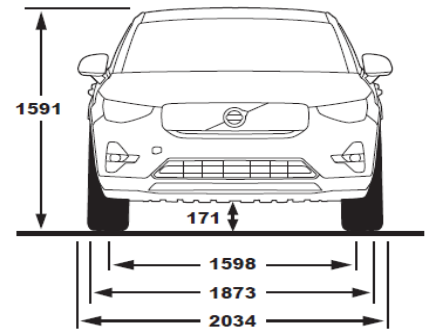
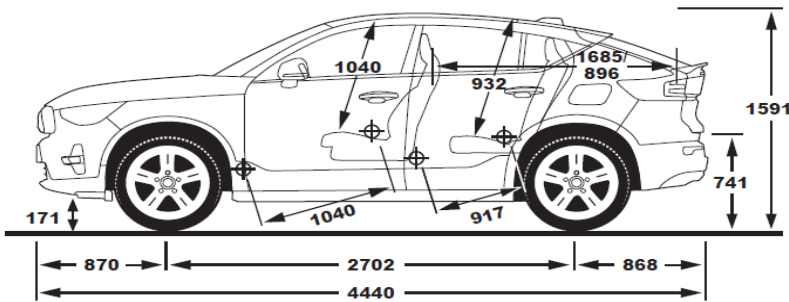


C40 Specifications - Model Year 2023

V O L V O

	Plus Recharge Pure Electric	Ultimate Recharge Pure Electric
Technical Specifications		
Powertrain	P6 FWD Pure Electric	P8 AWD Pure Electric
Motor	Recharge Electric Motor	Recharge Twin Electric Motor
Drive	Front Wheel Drive	All-Wheel Drive
Transmission	Single-speed	Single-speed
Power	170 kW	300 kW
Torque	330 Nm	660 Nm
Acceleration 0-100km/h, seconds	7.4	4.7
Battery Capacity, kWh	69	78
Electric Range, km**	Up to 438	Up to 451
Tare Weight, kg	2,001	2,154
Towing Capacity, kg	1,500	1,800
Dimensions		



September 2022 - Model Year 2023

All pricing shown does not include on-road costs and clean car fees unless specified otherwise. For more information visit 'Car Configurator' on the Volvo Car New Zealand website.

The price of the car includes access to the following digital services for a period of 4 years: Google Assistant, Google Maps, Google Play Store, the Volvo Car App remote functions and data for the said services. After that period a prolongment or renewal will be offered, a subscription fee will in such case be added.

Information is correct at the time of printing, however the manufacturer reserves the right to make changes without notice. Please confirm model availability, specification and pricing details with your Volvo dealer. Accessories and / or options fitted to vehicles may affect vehicle performance, range, fuel consumption and emissions.

*Figures according to ADR/NEDC are derived from laboratory testing. **Figures according to WLTP data obtained under specific testing conditions. Factors including but not limited to driving style, road and traffic conditions, environmental influences, vehicle condition and accessories fitted, means in the real world the range you experience can differ from that advertised. Advertised figures are meant for comparison purposes.

C40 Specifications - Model Year 2023

V O L V O

	Plus Recharge Pure Electric	Ultimate Recharge Pure Electric
Safety		
Airbag, Driver & Passenger	S	S
Knee airbag driver side	S	S
Side Impact Protection System Airbags	S	S
Inflatable Curtain Airbags	S	S
Whiplash protection, front seats	S	S
Belt minder all seats, EU logic	S	S
Isofix - outer position rear seat	S	S
Flashing Emergency Brake Light and Hazard Warning	S	S
Support System		
Adjustable speed limiter	S	S
Adaptive Cruise Control with Traffic Jam Assist 4	S	S
Collision Mitigation Support, front	S	S
Lane Keeping Aid	S	S
Blind spot Information System with Cross traffic alert	S	S
Collision Warning and Mitigation Support, rear	S	S
360° Camera	-	S
Park Assist Camera	S	-
Parking assistance Gen3, front, rear & side	-	S
Parking assistance, front and rear Gen 3	S	-
Personal settings, power steering	S	S
Hill start assist	S	S
Rain sensor	S	S
Hill Descent Control	S	S
Audio & Navigation		
High Performance Sound	S	-
Harman Kardon Premium Sound	-	S
Subwoofer	-	S
Remote control buttons in steering wheel	S	S
9" Centre Display with touch screen	S	S
2 USB Typ-C Connectors, Front	S	S
Bluetooth connection	S	S
5 volt outlet (2 USB), in rear/lower tunnel console	S	S
Digital Service, 4 years subscription standard	S	S
Road Sign Information, RSI	S	S
Apple Carplay (Wired)	S	S
Volvo On Call	S	S
Digital Audio Broadcasting, DAB	S	S
Speech function	S	S
Inductive charging for smartphone + NFC	S	S
Climate		
Electronic Climate Control, 2 zone	S	S
CleanZone (AQS with prevent at unlocking), Multifilter	S	S
Air purifier with Particulate Matter Sensor, aka PM2.5-sensor	-	S
Humidity sensor	S	S
Preventilation + prolonged heating after engine shut off	S	S
Heatpump	S	S
Tinted windows, rear side doors and cargo area	S	S
Panoramic sun roof, fixed	S	S
Heated steering wheel	S	S
Locking and security systems		
Alarm with interior motion sensor	S	S
Key remote	S	S
Keyless entry and start	S	S
Private locking	S	S
Central lock switch with diode in front doors	S	S
Tempered glass, side and rear windows	S	S
Power child lock, rear side doors	-	S
Luggage Compartment		
Repair Kit	S	S
Power Operated Tailgate	S	S
Foldable floor hatches with grocery bag holder	S	S
Luggage space, front	S	S

September 2022 - Model Year 2023

All pricing shown does not include on-road costs and clean car fees unless specified otherwise. For more information visit 'Car Configurator' on the Volvo Car New Zealand website.

The price of the car includes access to the following digital services for a period of 4 years: Google Assistant, Google Maps, Google Play Store, the Volvo Car App remote functions and data for the said services. After that period a prolongment or renewal will be offered, a subscription fee will in such case be added.

Information is correct at the time of printing, however the manufacturer reserves the right to make changes without notice. Please confirm model availability, specification and pricing details with your Volvo dealer. Accessories and / or options fitted to vehicles may affect vehicle performance, range, fuel consumption and emissions.

*Figures according to ADR/NEDC are derived from laboratory testing. **Figures according to WLTP data obtained under specific testing conditions. Factors including but not limited to driving style, road and traffic conditions, environmental influences, vehicle condition and accessories fitted, means in the real world the range you experience can differ from that advertised. Advertised figures are meant for comparison purposes.

S Standard | NCO No cost option | - Not available | P Pack

C40 Specifications - Model Year 2023

V O L V O

	Plus Recharge Pure Electric	Ultimate Recharge Pure Electric
Interior		
Illuminated vanity mirrors in sunvisor LH / RH side	S	S
Artificial Leather steering wheel with Uni deco inlay, 3 spoke, Sport	S	S
Automatically dimmed inner and exterior mirrors	S	S
Carpet kit, textile	S	-
Carpet kit, textile R-design	-	S
Front tread plates, metal Recharge	S	S
Interior illumination mid level	S	-
Interior illumination high level	-	S
Parking ticket holder	S	S
Glovebox curry hook	S	S
Waste bin in front of armrest	S	S
Tunnel console High gloss Black	S	S
Ash tray lid	S	S
Charcoal roof colour interior	S	S
Charcoal headlining	S	S
Seats		
Heated front seats	S	S
Heated rear seat	S	S
Power adjustable drivers seat with memory	S	S
Power adjustable passengers seat	S	S
4 way power adjustable lumbar support	S	S
Mechanical Cushion Extension, Front Seats	S	S
Mechanical release fold 2:d row rear seat	S	S
Fixed rear headrests	S	-
Power foldable rear headrests	-	S
Centre armrest with cupholders	S	S
Interior Upholstery		
Charcoal Premium Textile (R780) Front Row Only, Includes: Charcoal Interior, TPU Gearknob, Charcoal Headlining, Charcoal Carpets, Charcoal Tunnel, Charcoal Door Inserts, Oriqin Decor Inlay	S	-
Microtech Vinyl (RN80) Front Row Only, includes: Charcoal Interior, TPU Gearknob, Charcoal Headlining, Charcoal Carpets, Charcoal Tunnel, Charcoal Door Inserts, Topography Decor Inlay	-	S
Exterior		
Handle side door body color, w/o damper, keyless and illumination	S	S
Retractable Rear View Mirrors	S	S
Gloss black décor, side windows	S	S
Fog light, front	-	S
LED Headlights	S	S
Skid plates, black	S	S
Exterior Colour - Solid		
Black Stone (019)	S	S
Exterior Colour - Metallic/Pearl		
Crystal White (707)	NCO	NCO
Onyx Black (717)		
Fusion Red (725)		
Thunder Grey (728)		
Sage Green (733)		
Fjord Blue (734)		
Silver Dawn (735)		
Standard Wheels		
19" 5-Double Spoke Black Diamond-cut Alloy wheel	S	-
20" 5-Spoke Black Diamond-cut Alloy wheel	-	S
Tyres		
235/50R19	S	-
255/45R19 (Rear)	S	-
235/45R20	-	S
255/40R20 (Rear)	-	S
Indirect Tyre Pressure Monitoring System	S	S

September 2022 - Model Year 2023

All pricing shown does not include on-road costs and clean car fees unless specified otherwise. For more information visit 'Car Configurator' on the Volvo Car New Zealand website.

The price of the car includes access to the following digital services for a period of 4 years: Google Assistant, Google Maps, Google Play Store, the Volvo Car App remote functions and data for the said services. After that period a prolongment or renewal will be offered, a subscription fee will in such case be added.

Information is correct at the time of printing, however the manufacturer reserves the right to make changes without notice. Please confirm model availability, specification and pricing details with your Volvo dealer. Accessories and / or options fitted to vehicles may affect vehicle performance, range, fuel consumption and emissions.

*Figures according to ADR/NEDC are derived from laboratory testing. **Figures according to WLTP data obtained under specific testing conditions. Factors including but not limited to driving style, road and traffic conditions, environmental influences, vehicle condition and accessories fitted, means in the real world the range you experience can differ from that advertised. Advertised figures are meant for comparison purposes.

S Standard | NCO No cost option | - Not available | P Pack