

# Crafter 35 Van

## Model Year 2025 Specifications



Commercial Vehicles



5 YEAR WARRANTY

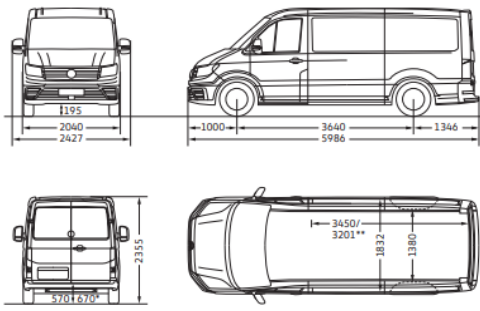
Price	Crafter 35 103kW MWB	Crafter 35 103kW LWB	Crafter 35 130kW MWB	Crafter 35 130kW LWB
Maximum Retail Price* - 8 Speed Automatic (Model Code)	\$99,500 (SYBB4B)	\$104,500 (SYCB4B)	\$104,500 (SYBB8B)	\$109,500 (SYCB8B)
Maximum Retail Price* - 8 Speed Automatic 4MOTION (Model Code)	-	-	\$112,500 (SYBB8Z)	\$117,500 (SYCB8Z)
Manual Transmission (Indent Order Only)	-\$4,000	-\$4,000	-\$4,000	-\$4,000
Extra Long Wheelbase	SYD***	-	\$3,500	-

\*Maximum Retail Price (MRP) includes 15% GST and does not include on-road costs. Fuel consumption tested in accordance with EC directive EEC 715/2007. Consumption is measured on European specification cars. The official fuel consumption, emissions, and EV range figures determined by the WLTP or NEDC test should be used as a guide only, or for vehicle to vehicle comparison. Actual results may vary due to factors such as driving or environmental conditions. Image shows international specification, local specification may vary. Specifications are as planned December 2024 for Model Year 2025 and subject to change without notice or obligation.



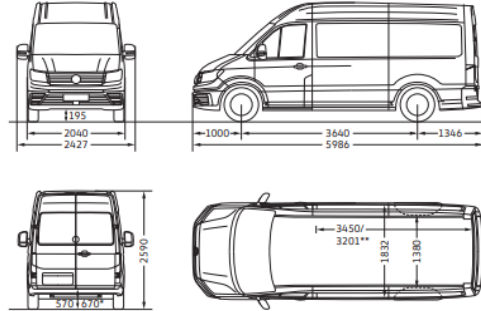
Technical Data	Crafter 35 103kW MWB	Crafter 35 103kW LWB	Crafter 35 130kW MWB	Crafter 35 130kW LWB
Engine Type	4-Cylinder Turbo	4-Cylinder Turbo	4-Cylinder Twin Turbo	4-Cylinder Twin Turbo
Fuel Type	Diesel	Diesel	Diesel	Diesel
Cubic Capacity (cc)	1,968	1,968	1,968	1,968
Maximum Power (kW) @ rpm	103 @ 3,500	103 @ 3,500	130 @ 3,600	130 @ 3,600
Maximum Torque (Nm) @ rpm	340 @ 1,500 - 2,250	340 @ 1,500 - 2,250	410 @ 1,500 - 2,000	410 @ 1,500 - 2,000
Drivetrain	Front Wheel Drive	Front Wheel Drive	Front Wheel Drive	Front Wheel Drive
Gross Vehicle Mass (kg)	3,500	3,500	3,500	3,500
Tare weight (kg), based on Standard Equipment	2,270	2,330	2,495	2,495
Payload, based on Standard Equipment	1,230	1,170	1,005	1,005
Axle load limit, Front / Rear (kg)	1,800 / 2,100	1,800 / 2,100	1,800 / 2,100	1,800 / 2,100
Trailer load limit 12% gradient. Braked / Unbraked (kg), based on Standard Equipment	3,000 / 750	3,000 / 750	3,000 / 750	3,000 / 750
Trailer down ball force (kg)	120	120	120	120
Roof load limit (kg)   (Low roof limit 300kg)	150	150	150	150
Gross Train Weight 12% gradient (kg)	6,000	6,000	6,000	6,000
Fuel Tank Capacity (L, approx.)	75	75	75	75
Emission Standard	EU6	EU6	EU6	EU6
Combined Fuel Consumption, L/100km. WLTP-3P	9.3	8.8	9.0	9.0
Combined CO <sub>2</sub> g/km. NEDC (WLTP-3P Converted)	245	232	236	236
Start/stop system with regenerative braking	●	●	●	●
5-Year / 250,000 km (whichever occurs first) mechanical warranty, 5-Year Volkswagen Roadside Assistance	●	●	●	●
12-Year Anti-Corrosion Warranty	●	●	●	●
Up to 30,000km or every two years (whichever occurs first) oil service intervals	●	●	●	●
Volkswagen Service Plan - Scheduled Servicing for 4 Years / 60,000km (whichever occurs first). (4MOTION Variants)	\$1,595	\$1,595	\$1,595 (\$1,845)	\$1,595 (\$1,845)
Volkswagen Service Plan - Scheduled Servicing for 6 Years / 90,000km (whichever occurs first). (4MOTION Variants)	\$2,745	\$2,745	\$2,745 (\$3,245)	\$2,745 (\$3,245)

Crafter 35 MWB Normal Roof



\*This value applies for 4MOTION all-wheel drive.  
 \*\*Load compartment length, max. (at floor level)/load compartment length, min.

Crafter 35 MWB High Roof

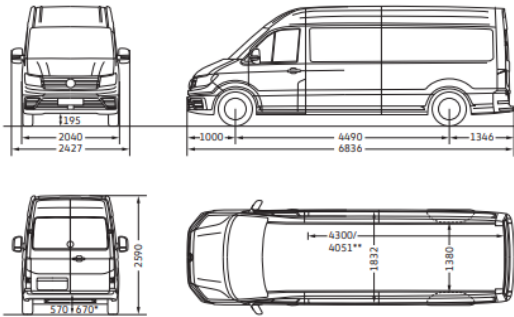


\*This value applies for 4MOTION all-wheel drive.  
 \*\*Load compartment length, max. (at floor level)/load compartment length, min.

load compartment, height (mm), with front-wheel drive/4MOTION all-wheel drive	1,726/1,626
load compartment, volume (m <sup>3</sup> ), with front-wheel drive/4MOTION all-wheel drive	9.99/3
lateral sliding door, width x height (mm):	
- with front-wheel drive	1,311 x 1,587
- with 4MOTION all-wheel drive	1,311 x 1,487
rear wing doors, width x height (mm):	
- with front-wheel drive	1,552 x 1,605
- with 4MOTION all-wheel drive	1,552 x 1,505

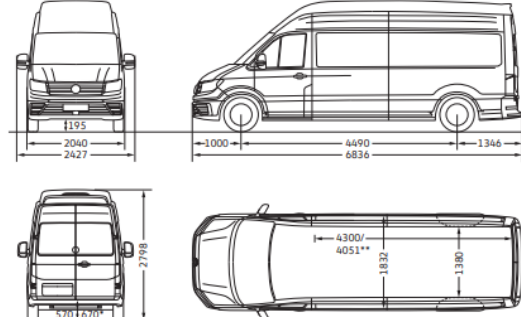
load compartment, height (mm), with front-wheel drive/4MOTION all-wheel drive	1,961/1,861
load compartment, volume (m <sup>3</sup> ), with front-wheel drive/4MOTION all-wheel drive	11.3/10.7
lateral sliding door, width x height (mm):	
- with front-wheel drive	1,311 x 1,822
- with 4MOTION all-wheel drive	1,311 x 1,722
rear wing doors, width x height (mm):	
- with front-wheel drive	1,552 x 1,840
- with 4MOTION all-wheel drive	1,552 x 1,740

Crafter 35 LWB High Roof



\*This value applies for 4MOTION all-wheel drive and rear-wheel drive.  
 \*\*Load compartment length, max. (at floor level)/load compartment length, min.

Crafter 35 LWB Super- High Roof

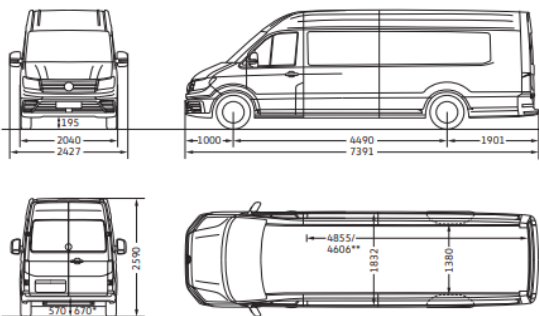


\*This value applies for 4MOTION all-wheel drive.  
 \*\*Load compartment length, max. (at floor level)/load compartment length, min.

load compartment, height (mm), with front-wheel drive/4MOTION all-wheel drive/rear-wheel drive	1,961/1,861/1,861
load compartment, volume (m <sup>3</sup> ), with front-wheel drive/4MOTION all-wheel drive/rear-wheel drive	14.4/13.6/13.6
lateral sliding door, width x height (mm):	
- with front-wheel drive	1,311 x 1,822
- with 4MOTION all-wheel drive and rear-wheel drive	1,311 x 1,722
rear wing doors, width x height (mm):	
- with front-wheel drive	1,552 x 1,840
- with 4MOTION all-wheel drive and rear-wheel drive	1,552 x 1,740

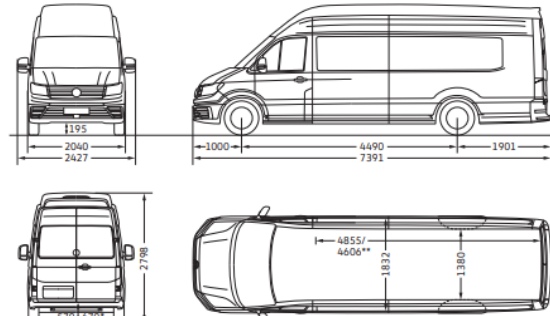
load compartment, height (mm), with front-wheel drive/4MOTION all-wheel drive	2,189/2,089
load compartment, volume (m <sup>3</sup> ), with front-wheel drive/4MOTION all-wheel drive	16.1/15.3
lateral sliding door, width x height (mm):	
- with front-wheel drive	1,311 x 1,822
- with 4MOTION all-wheel drive	1,311 x 1,722
rear wing doors, width x height (mm):	
- with front-wheel drive	1,552 x 1,840
- with 4MOTION all-wheel drive	1,552 x 1,740

Crafter 35 ELWB High Roof



\*This value applies for 4MOTION all-wheel drive.  
 \*\*Load compartment length, max. (at floor level)/load compartment length, min.

Crafter 35 ELWB Super- High Roof



\*This value applies for 4MOTION all-wheel drive.  
 \*\*Load compartment length, max. (at floor level)/load compartment length, min.

load compartment, height (mm), with front-wheel drive/4MOTION all-wheel drive	1,961/1,861
load compartment, volume (m <sup>3</sup> ), with front-wheel drive/4MOTION all-wheel drive	16.4/15.5
lateral sliding door, width x height (mm):	
- with front-wheel drive	1,311 x 1,822
- with 4MOTION all-wheel drive	1,311 x 1,722
rear wing doors, width x height (mm):	
- with front-wheel drive	1,552 x 1,840
- with 4MOTION all-wheel drive	1,552 x 1,740

load compartment, height (mm), with front-wheel drive/4MOTION all-wheel drive	2,196/2,096
load compartment, volume (m <sup>3</sup> ), with front-wheel drive/4MOTION all-wheel drive	18.4/17.5
lateral sliding door, width x height (mm):	
- with front-wheel drive	1,311 x 1,822
- with 4MOTION all-wheel drive	1,311 x 1,722
rear wing doors, width x height (mm):	
- with front-wheel drive	1,552 x 1,840
- with 4MOTION all-wheel drive	1,552 x 1,740



Safety and Security		Crafter 35 103kW MWB	Crafter 35 103kW LWB	Crafter 35 130kW MWB	Crafter 35 130kW LWB
Driver and front passenger airbag with front passenger airbag deactivation	4UF	●	●	●	●
Side and Curtain Airbag for driver and front passenger (Note: Not Available with Super High Roof)	4X3	\$2,200	\$2,200	\$2,200	\$2,200
Electronic Cruise Control System	8T2	●	●	●	●
Advanced Assist Package - inc. Adaptive Cruise Control w. stop and go, Travel assist semi-automated driving assistance w. lane keeping	PVH	\$2,500	\$2,500	\$2,500	\$2,500
Electronic Stability Control and anti-lock brake system	1AS	●	●	●	●
Park Distance Control in front and rear	7X2	●	●	●	●
Park Assist with Park distance control in front and rear with active side protection	PVF	\$950	\$950	\$950	\$950
Hill Start Assist	UG1	●	●	●	●
Hill Start Assist & Hill Descent Control (4MOTION variants only)	UG5	-	-	\$200	\$200
Cross Wind Assist	KJ1	●	●	●	●
Rear view camera system	KA2	●	●	●	●
3-point automatic seat belts, height-adjustable with electric seat-belt tensioners in front	3QN	●	●	●	●
Forward collision warning with warning and braking reaction to vehicles, pedestrians and cyclists	8J3	●	●	●	●
Warning buzzer and light for driver seat belt not fastened	9P3	●	●	●	●
Advanced Driver Attention & Drowsiness Monitor	EM2	●	●	●	●
Extended Assist. package w/ lane change system Side Assist, Blind Spot Monitor on both sides	PVE	●	●	●	●
Lane keeping system Lane Assist	6I1	●	●	●	●
Central locking system Keyless Go without SAFELock	4I7	●	●	●	●
Electronic vehicle immobilisation device (transponder)	7AA	●	●	●	●
Tire pressure monitor	7K3	●	●	●	●



Exterior		Crafter 35 103kW MWB	Crafter 35 103kW LWB	Crafter 35 130kW MWB	Crafter 35 130kW LWB
Normal Roof	3R0	-\$2,200	-	-\$2,200	-
High Roof	3R2	●	●	●	●
Super High Roof (In White only)	ZD3	-	\$5,000	-	\$5,000
Gross Vehicle Mass increase to 3,880kg	1UV	-	-	\$5,000	\$5,000
Gross Vehicle Mass increase to 4,000kg	1UD	-	-	-	\$6,000
Standard suspension system and shock absorption.	1BA	●	●	●	●
Heavy-duty suspension system and shock absorption, heavy-duty stabilizers	2MG	\$750	\$750	\$750	\$750
Grey Bumper in front with painted trim panel in body colour, radiator grille unpainted with chrome moulding	2JB & 6KA	●	●	●	●
Halogen twin lamps	8ID	●	●	●	●
LED Headlights & Daytime Running Lights	8IT	\$2,400	\$2,400	\$2,400	\$2,400
Front fog lights with cornering function	8WH	\$600	\$600	\$600	\$600
Heat-insulating windshield made of laminated glass	4GF	●	●	●	●
Heated Rear Windows	4HH	●	●	●	●
Windshield wiper intermittent control with light and rain sensor and separate daytime running lights with automatic headlamp activations.	ZA3	●	●	●	●
Window Package	ZFP	\$2,000	\$2,000	\$2,000	\$2,000
Exterior mirrors, power-adjustable, heated and electric folding	6XP	●	●	●	●
Sliding door, left and right	5Q2 & 5R2	●	●	●	●
Mud Flaps in Front & Rear	6N2	●	●	●	●
Side marker lamps	8F1	●	●	●	●
Rear wing doors with windows aperture	ZHF	●	●	●	●
Hinges for rear wing doors with increased opening angle (max. 270°)	5V4	●	●	●	●
Mechanical Differential Lock in Rear (4MOTION variants only) forces option IS2 - Central Control Module MRP \$1200	1Y4	-	-	\$1,500	\$1,500
Trailer hitch preparation (incl. trailer stabilisation) with wiring harness, outlet, and electronic control unit. (Note: Not Available on ELWB with GVM upgrade to Crafter 38 or 40)	1D7	●	●	●	●



Interior		Crafter 35 103kW MWB	Crafter 35 103kW LWB	Crafter 35 130kW MWB	Crafter 35 130kW LWB
2 remote control folding keys	8QJ	●	●	●	●
Dimming breakaway interior rear-view mirror	4L2	●	●	●	●
Leather-wrapped multi-function steering wheel with tiptronic	2FE	●	●	●	●
Digital Cockpit Pro	7J2	●	●	●	●
Air-Conditioning with 2nd Evaporator & 2nd Heater Core	6AD	\$3,500	\$3,500	\$3,500	\$3,500
Acoustic warning when reverse gear is engaged, de-activatable	IL2	\$600	\$600	\$600	\$600
Interior sound insulation measures, PLUS	3W3	●	●	-	-
Interior sound insulation measures, Premium	3W6	-	-	●	●
Two 12V outlets in the cab (in the dashboard)	EU1	●	●	●	●
Two 12V outlets in cab/load compartment (one at the C- and 1 at the D-pillar)	7B3	\$150	\$150	\$150	\$150
Storage compartment over cab	OE4	●	●	●	●
Storage compartment over cab, accessible from load compartment (only available with 3R2 - High Roof)	7N4	\$360	\$360	\$360	\$360
Interior Roof Lining for passenger compartment (forces dual sliding doors)	5CE	\$1,600	\$1,600	\$1,600	\$1,600
Rubber floor covering in cab	5AC	●	●	●	●
Cargo area partition with fixed window	3CG	●	●	●	●
<b>Cargo area partition – removal of partition (Forces: Child safety lock in load compartment, Without grab handle on B-pillar in load/passenger compartment)</b>	ZT0	NCO	NCO	NCO	NCO
Without floor covering in passenger/load compartment, with covering for locking mechanism on tailgate/rear wing doors	5BA	●	●	●	●
Wooden floor covering in load compartment, with loading edge	5BD	\$1,500	\$1,500	\$1,500	\$1,500
Rear side trim panel in passenger/load compartment made of medium-height plastic twin-walled sheets	5DB	●	●	●	●
Rear side trim panel in passenger/load compartment made of plywood, extending up to the roof frame (Not Available in combination with 5CE - Interior Roof Lining)	5DU	\$1,400	\$1,400	\$1,400	\$1,400
Rear side trim panel in load compartment made of plastic, extending up to the roof frame. (Not Available in combination with 5CE - Interior Roof Lining)	5DN	\$850	\$850	\$850	\$850
Without rear side trim panel passenger load compartment	5DA	NCO	NCO	NCO	NCO
Lashing rings for load restraint	6B1	●	●	●	●
Side window in passenger/load compartment, front left and right, fixed	4DE & 4EE	\$720	\$720	\$720	\$720
Side window in passenger/load compartment, front left and right, sliding	4DM & 4EM	\$1,440	\$1,440	\$1,440	\$1,440
2 Standard interior lights in passenger / load compartment	9CC	●	●	●	●
Load compartment lighting: 4 LED spots	9CW	\$400	\$400	\$400	\$400



Seat & Upholstery		Crafter 35 103kW MWB	Crafter 35 103kW LWB	Crafter 35 130kW MWB	Crafter 35 130kW LWB
Comfort seat "Plus" for driver (Backrest adjustment, Longitudinal adjustment, 4 – track electrical lumbar support, 2x armrests, seat cushion for adjustment, height adjustment)	3SF	●	●	●	●
<b>Comfort seat "Plus" for passenger</b>	3TF	NCO	NCO	NCO	NCO
2-seater front passenger bench seat with storage compartment	3TS	●	●	●	●
Swivel seat for driver and passenger (forces no partition)	3SD & 3TD	\$650	\$650	\$650	\$650
Heated front seats	4A3	\$600	\$600	\$600	\$600
Seat trim covers in fabric "Austin"	NOL	●	●	●	●



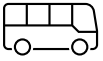
Multimedia		Crafter 35 103kW MWB	Crafter 35 103kW LWB	Crafter 35 130kW MWB	Crafter 35 130kW LWB
Radio "Composition" 10.4" Colour Touch Screen with 4 speakers	Z65	●	●	●	●
2X Type-C USB Ports	U9E	●	●	●	●
Wired & Wireless App-Connect	9WJ	●	●	●	●
Mobile phone storage w. inductive charging & connection via Bluetooth	9ZV	●	●	●	●



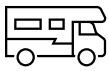
Wheels		Crafter 35 103kW MWB	Crafter 35 103kW LWB	Crafter 35 130kW MWB	Crafter 35 130kW LWB
Standard Wheels		16" Steel Wheels, Silver	16" Steel Wheels, Silver	16" Steel Wheels, Silver	16" Steel Wheels, Silver
Tire Size	F85	205/75 R16	205/75 R16	205/75 R16	205/75 R16
Image					
17" Lismore Alloys	PR7	\$3,400	\$3,400	\$3,400	3400
Spare Steel Wheel, Tool Kit & Jack	ZR8	●	●	●	●



Exterior Colours		Crafter 35 103kW MWB	Crafter 35 103kW LWB	Crafter 35 130kW MWB	Crafter 35 130kW LWB	
Candy White		B4B4	●	●	●	●
Cherry Red		4B4B	●	●	●	●
Deep Black Pearlescent		2T2T	\$3,200	\$3,200	\$3,200	\$3,200
Deep Ocean Blue		0P0P	●	●	●	●
Indium Grey Metallic		X3X3	\$3,200	\$3,200	\$3,200	\$3,200
Luminous Orange		E3E3	●	●	●	●
Ascot Grey		6U6U	●	●	●	●
Oyster Silver Metallic		F0F0	\$3,200	\$3,200	\$3,200	\$3,200



Conversion Base Options - Minibus		Crafter 35 103kW MWB	Crafter 35 103kW LWB	Crafter 35 130kW MWB	Crafter 35 130kW LWB
Minibus Package Consists of the Following	MINIBUS	\$7,500	\$7,500	\$7,500	\$7,500
Air-Conditioning with 2nd Evaporator & 2nd Heater Core	6AD	●	●	●	●
Comfort seat "Plus" for passenger	3TF	●	●	●	●
Window Package	ZFP	●	●	●	●
Cargo area partition - removal of partition (Forces: Child safety lock in load compartment, Without grab handle on B-pillar in load/passenger compartment)	ZT0	●	●	●	●
Interior Roof Lining (forces dual sliding doors)	5CE	●	●	●	●
Load compartment lighting: 4 LED spots	9CW	●	●	●	●
Without lashing rings	6B0	●	●	●	●
Overhead storage compartment and reading light	QE1	●	●	●	●
Hinges for rear wing doors	5V3	●	●	●	●



Conversion Base Options - Camper / Overlander		Crafter 35 103kW MWB	Crafter 35 103kW LWB	Crafter 35 130kW MWB	Crafter 35 130kW LWB
Increase GVM to 3880kg (1UV) / 4000kg (1UD)	1UV / 1UD	-	-	\$5,000	\$6,000
Heavy-duty suspension system and shock absorption, heavy-duty stabilizers	2MG	\$750	\$750	\$750	\$750
Swivel Seat - Driver & Passenger	3SD & 3TD	\$650	\$650	\$650	\$650
Seat Heater - Driver & Passenger	4A3	\$600	\$600	\$600	\$600
Side & Curtain Airbags	4X3	\$2,200	\$2,200	\$2,200	\$2,200
Sliding Window in Passenger Comp. - Front Right / Left	4EM & 4DM	\$1,440	\$1,440	\$1,440	\$1,440
Without Sliding Door RHS	5R0	NCO	NCO	NCO	NCO
2nd Heater & 2nd Evaporator	6AD	\$3,500	\$3,500	\$3,500	\$3,500
LED Headlamps & LED Daytime Running Lights	8IT	\$2,400	\$2,400	\$2,400	\$2,400
Front Fog Lights with Cornering Function	8WH	\$600	\$600	\$600	\$600
2nd AMG Batter wit cutoff relay and monitoring (Forces IS2)	8FE	\$1,000	\$1,000	\$1,000	\$1,000
Function control module (Forced with 8FE or 1Y4)	IS2	\$1,200	\$1,200	\$1,200	\$1,200
Hill Start Assist, Descent Control	UG5	-	-	\$180	\$180
Diff Lock (Forces IS2)	1Y4	-	-	\$1,500	\$1,500
Advanced Assist Package - inc. Addaptive Cruise Control w. stop and go, Travel assist semi-automated driving assistance w. lane keeping	PVH	\$2,500	\$2,500	\$2,500	\$2,500
Acoustic warning when reverse gear is engaged, de-activatable	IL2	\$600	\$600	\$600	\$600



Conversion Base Options - Moving Van		Crafter 35 103kW MWB	Crafter 35 103kW LWB	Crafter 35 130kW MWB	Crafter 35 130kW LWB
Increase GVM to 3880kg (1UV) / 4000kg (1UD)	1UV / 1UD	-	-	\$5,000	\$6,000
Heavy-duty suspension system and shock absorption, heavy-duty stabilizers	2MG	\$750	\$750	\$750	\$750
Super High Roof (In White only)	ZD3	-	\$5,000	-	\$5,000
2X 12V Outlets - C&D Pillars	7B3	\$150	\$150	\$150	\$150
Load compartment lighting: 4 LED spots	9CW	\$400	\$400	\$400	\$400
Wood Floor & Luggage Compartment Side Trim	5BU	\$2,300	\$2,300	\$2,300	\$2,300
Rear side trim panel in passenger/load compartment made of plywood, extending up to the roof frame (Not Available in combination with 5CE - Interior Roof Lining)	5DU	\$1,400	\$1,400	\$1,400	\$1,400
Lashing Rails on Load Compartment Walls and Partition	6L2	\$900	\$900	\$900	\$900
Without Rear Window	4HA	NCO	NCO	NCO	NCO
Rear Step - Full Width (Forces removal of 1D7 - Trailer Prep)	QT4	\$360	\$360	\$360	\$360
Warning For Reverse	IL2	\$600	\$600	\$600	\$600
Seat trim in Marathon - Robust Seat Trimming	N1C	NCO	NCO	NCO	NCO