

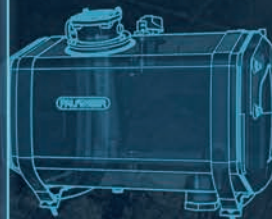
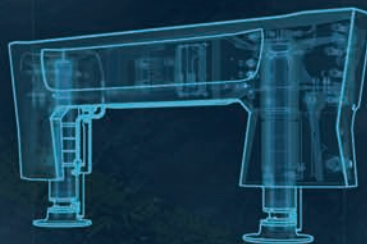
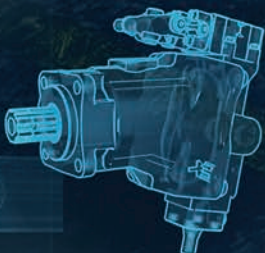
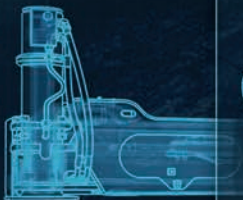
LOADER CRANE

MOUNTING ACCESSORIES

LIFETIME EXCELLENCE



ENGLISH | 2021 V01



OVERVIEW CONTENTS

A - General

PALFINGER Mounting Accessories	04 - 05
PALFINGER Installation packages	06 - 09

B - Hydraulics

Pump types, Calculation of the hydraulic system	10 - 11
Load sensing pumps REXROTH / HYDRO-LEDUC / HAWE	12 - 13
Fixed displacement pumps single flow REXROTH / HYDRO-LEDUC / PARKER	14 - 15
Fixed displacement pumps double flow HYDRO-LEDUC / PARKER	16 - 17
Accessories for pumps	18 - 19
Oil tank ALUMINIUM / STEEL	20 - 21
Oil cooler ASA / RAAL	22 - 23
Stationary hydraulic aggregates	24 - 25
Hybrid drive / Emergency powerpack	26 - 27

C - Stabilizers

Additional stabilizers	28 - 29
Additional stabilizers – configuration possibilities	30 - 33
Additional stabilizers – dimensions and weight	34
Control valve / Front stabilizers & Frame stabilizers	35
Front stabilizer kits	36 - 38
Stabilizer pads and transport boxes	39

D - PC-Crane

Mounting kit for 3,5 t truck	40 - 41
Stabilizers PC-crane – configuration possibilities and dimensions	42 - 43
Powerpacks for PC-cranes	44 - 45

E - Mounting Accessories

PALFINGER Customized subframes	46
Subframe specification	47
PALFINGER Standard subframes	48
PALFINGER Customized platforms	49
Mounting bolts	50 - 51
Toolboxes PRO – STAINLESS STEEL / STEEL / PLASTIC	52 - 53
Mudguards	54 - 55
Lateral protection devices	56 - 57
Rear demountable brackets	58
Extension couplings	59
Rear underrun protection	60
Accessories for high stand / Miscellaneous	61
Lights	62 - 63

PALFINGER MOUNTING ACCESSORIES

A ONE-STOP SERVICE

At PALFINGER we want to ensure that our lifting solutions deliver their promised performance at the highest possible security level. Therefore the entire system consisting of crane, truck, subframe and hydraulic system is decisive.

For this reason, PALFINGER offers a broad spectrum of equipment in order to meet the usual high availability and serviceability as well as the well-known lifting performance.

A one-stop service means to us, that you can get everything you need for your mounting project from PALFINGER – fast, simple and perfectly matched.



High complexity and seasonal fluctuations are the core of any mounting business. In order to support our mounting partners in their day-to-day challenges, we want to offer them the support they require – from software tools for the project planning, to tested components, body kits and complete vehicles.

We are pleased to offer you the following services:

INSTALLATION PACKAGES



Use PALFINGER as flexible as you require. We are happy to offer you a wide range of services like single components, assembly kits, raw installations or complete vehicles. For further information, see page 06-09.

HYDRAULIC COMPONENTS



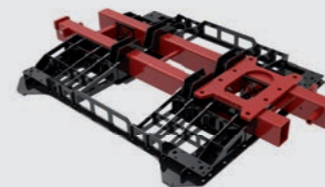
Pumps, tanks and oil coolers are perfectly matched to our products and have to pass strict tests to ensure longevity and cleanliness. This are the key parameters to avoid expensive consequential damages.

STABILIZERS



PALFINGER is the only crane manufacturer that offers a complete range of additional stabilizers, complete front stabilizer kits for the most popular european truck manufacturers and universally applicable stabilizers.

PC-CRANE ACCESSORIES



Innovative and fast complete solutions for our smallest cranes - from mounting kits to hydraulic aggregates. A one-stop service for the fast and efficient mounting on 3.5t vehicles.

MOUNTING ACCESSORIES



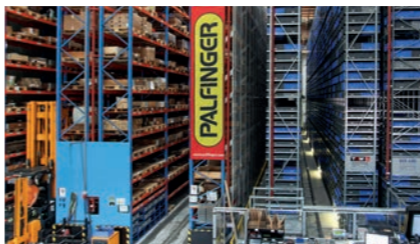
From individual subframes over the proven additional stabilizers up to toolboxes - we invested a lot of time and money to offer you the perfect components in approved PALFINGER quality.

SERVICE AND TECHNICAL SUPPORT



PALFINGER provides an extensive service network. The highly trained employee of our service partners and licensed workshops provide help quickly.

SPARE PARTS SUPPLY



Several spare parts centres worldwide guarantee a seamless supply of spare parts. All original spare parts are tested and comply with the PALFINGER quality standard.

INSTALLATION PACKAGES

FLEXIBLE SUPPORT FOR YOUR PROJECT

Our target is to **support** our partners and you on an **individual basis** in case of capacity peaks, special projects, components that are not feasible to your production facilities.

We can assist with **products and services** along the entire value chain of your mounting project – of course in the **highest quality** and developed with most modern engineering methods.

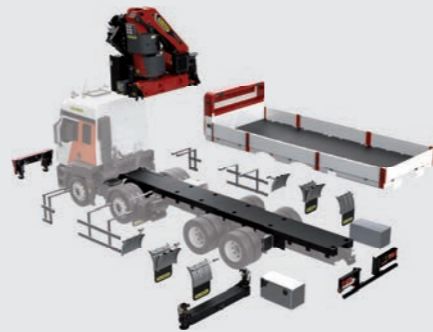
MOUNTING ACCESSORIES STANDARD

Our established top sellers ensure the best price performance ratio. From hydraulic components over additional stabilizers up to installation components. Everything you might need is available in our Mounting Accessories Catalogue.



MOUNTING ACCESSORIES CUSTOMIZED

We know your daily challenges as a body builder and want to support you as best as possible. To save time and costs we want to offer you our Customized Mounting Accessories like customized subframes or complete platform kits.



RAW INSTALLATION

Ideal for capacity peaks from bodybuilders. Palfinger delivers the crane inclusive mounting accessories fully installed. You can add the bodywork which suits you best.

- Crane ready to use
- HPSC pre-adjusted
- Agreed scope of supply (i.e interface for structure, electric and hydraulic comp.)



CUSTOMIZED TURNKEY SOLUTIONS

Whatever your driver wants, PALFINGER will build a high quality solution for him and you in the Mounting Competence Center MCC

- Flexible support depending on your project
- Best performance for the crane
- Best Service Network and full documentation for the entire solution
- Experience with approx 1,000 installations over the last years



CONFIGURED TURNKEY SOLUTIONS

PALFINGER delivers topseller-concepts for your needs. Defined together, we ensure you a simple offer and order process.

- Best price performance ratio due to scale effects
- One-Stop-Shop Principle
- Short leadtime
- Predefined option packages
- Once defined, no further engineering is needed



STANDARD TURNKEY SOLUTIONS

PALFINGER offers you ideally configured and installed trucks for your application. Our standard turnkey solutions are available on the sales platform [PALDRIVE.PALFINGER.COM](https://paldrive.palfinger.com)

- Best Crane Performance
- Stockvehicles shown on paldrive.palfinger.com
- One-Stop-Shop Principle



INSTALLATION PACKAGES

FLEXIBLE SUPPORT FOR YOUR PROJECT



INSTALLATION PACKAGE	MOUNTING ACCESSORIES STANDARD	MOUNTING ACCESSORIES CUSTOMIZED	RAW INSTALLATION	CUSTOMIZED TURNKEY SOLUTIONS	CONFIGURED TURNKEY SOLUTIONS	STANDARD TURNKEY SOLUTIONS
We focus on	Bodybuilder	Bodybuilder	Bodybuilder	Driver/Fleet Manager/Purchaser/ PALFINGER Sales Network	PALFINGER Sales Network	Driver/Fleet Manager/Purchaser
Engineering needed for each project	--	Included	Included	Included	--	--
Hydraulic & Electric parts	Loose on pallet	Loose on pallet	Included	Included	Included	Included
Structural Parts & Kits	Loose on pallet	Loose on pallet	Included	Included	Included	Included
Mounting Accessories & kits	Loose on pallet	Loose on pallet	Optional	Included	Included	Included
Raw installation	--	--	Included	Included	Included	Included
HPSC Adjustment	--	--	Included	Included	Included	Included
Customization possibilities	--	Yes	Yes	Included	Defined Configurations	No
Turnkey Solution (Truck ready to use)	--	--	Crane ready to use	Yes	Yes	Yes
Truck purchasing through Palfinger	--	--	If desired	If desired	Included	Included
Your advantage with our solutions ...	Established Productportfolio Best Price Performance Ratio	Save time and costs by outsourcing parts of the installation (i.e. stabilizers, subframes, flatbed kit...)	Perfect for capacity peaks in your production	Whatever you wish – We can build it!	Perfect for your Topsellers Easy offering to your customers	Trucks ready to work
How do I get it?	Order via PALFINGER Product Configurator on PALDESK	Via request-mcc@palfinger.com or Request Form at PALDESK			Request via agreed order forms to General Agency / PALFINGER	Available at paldrive.palfinger.com

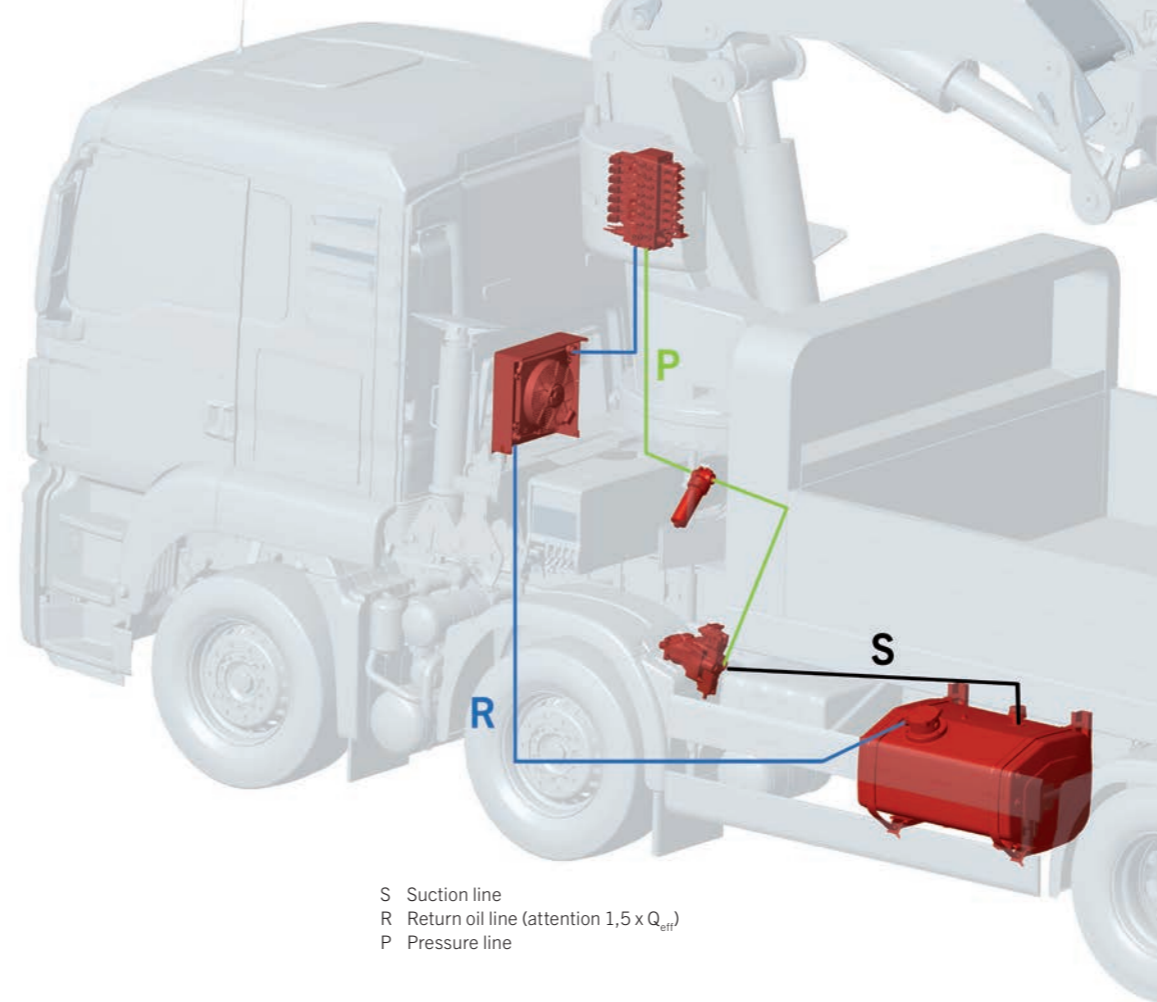
HYDRAULICS

PALFINGER offers a complete range of hydraulic components to drive the PALFINGER crane optimally.

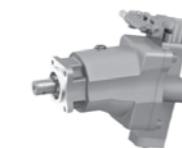
The hydraulic system is the heart of the PALFINGER unit and must meet the highest requirements.

PALFINGER works exclusively with well-known and long-standing partners to ensure the highest quality requirements.

The correct design of the hydraulic system is crucial for the functionality of the PALFINGER cranes. You can find detailed information on this in the PALFINGER installation guidelines.



S Suction line
R Return oil line (attention 1,5 x Q_{eff})
P Pressure line



CONSTANT PUMPS SINGLE CIRCUIT

The constant pumps offer a simple and cost-effective drive variant. We offer a variety of bent axis and inline pumps, depending on the requirements.

CONSTANT PUMP DOUBLE CIRCUIT

For a quick work with several functions, especially in wood and recycling crane use, we have a variety of suitable pump types available.

LOAD SENSING PUMPS

With load sensing pumps, you operate your crane efficiently and save money in the long run. Highest quality and efficiency rate are standard at our PALFINGER load sensing pumps.

BASIC DATA FOR CALCULATION

Minimum required oil flow	Q_{min}	[l/min]	For exact crane operation
Maximum required oil flow	Q_{max}	[l/min]	For fast crane operation
Required operating pressure	P_{max}	[MPa]	According to crane requirements
Chosen oil flow	Q_{crane}	[l/min]	Between minimum and maximum required oil flow (Q _{min} ≤ Q _{crane} ≤ Q _{max}); techn. Data sheet crane
Speed (rpm) on the motor	n_{en}	[min ⁻¹]	Data sheets of the vehicle to be set in motor management
Ratio of gear box	i_{ge}		Data sheet of the vehicle. ATTENTION! Always use the quick split
Ratio of PTO	i_{pto}		Data sheet of the PTO. ATTENTION! Always use the quick split
Allowed torque at PTO	M_{tmax}	[Nm]	Data sheet of the PTO
Allowed power at PTO	P_{max}	[kW]	Data sheet of the PTO
Efficiency rate pump	η_{pump}		0,9 for constant pump / 0,95 for variable pump
Oil flow of chosen pump (1000 rpm)	Q_{pump}	[l/min]	Mounting Accessories Catalogue
Maximum pump speed (rpm)	n_{pmax}	[min ⁻¹]	Mounting Accessories Catalogue
Difference volume crane + Fly Jib	ΔV_{crane}	[l]	PALDESK or PAC Online
Difference volume additional and front stabilizer	ΔV_{stab}	[l]	PALDESK or PAC Online
Difference volume crane equipment	ΔV_{equ}	[l]	PALDESK or PAC Online

CALCULATION OF HYDRAULIC PUMP

Speed on the pump (rpm)	n_{pump}	[min ⁻¹]	$n_{pump} = n_{en} * i_{ge} * i_{pto} \leq n_{pmax}$
Required pump size (1000 rpm)	Q_{req}	[l/min]	$Q_{req} = (Q_{crane} * 1000) / (n_{pump} * \eta_{pump})$
Effective oil flow	Q_{eff}	[l/min]	$Q_{eff} = Q_{pump} * \eta_{pump} * \eta_{pto}$
Torque - PTO	M_{req}	[Nm]	$M_{req} = (Q_{eff} * p_{max} * 159) / (n_{pump} * \eta_{pump}) \leq M_{tmax}$
Power on PTO	P_{req}	[kW]	$P_{req} = (Q_{eff} * p_{crane}) / (60 * \eta_{pump}) \leq P_{max}$

CALCULATION OF OIL COOLER

Required oil cooler capacity	P_{cool}	[kW]	$P_{cool} = P_{req} * 0,15 \text{ to } 0,25$ ATTENTION! Factor depends on the application - check the installation guideline
------------------------------	-------------------------	------	--

CALCULATION OF OIL TANK

Required minimum oil tank size - crane mounted	V_{tank}	[l]	$V_{tank} \geq Q_{eff} * 0,7 + \Delta V_{crane} + \Delta V_{stab} + \Delta V_{equ}$
Required minimum oil tank size - side mounted	V_{tank}	[l]	$V_{tank} \geq Q_{eff} * 1,2 + \Delta V_{crane} + \Delta V_{stab} + \Delta V_{equ}$

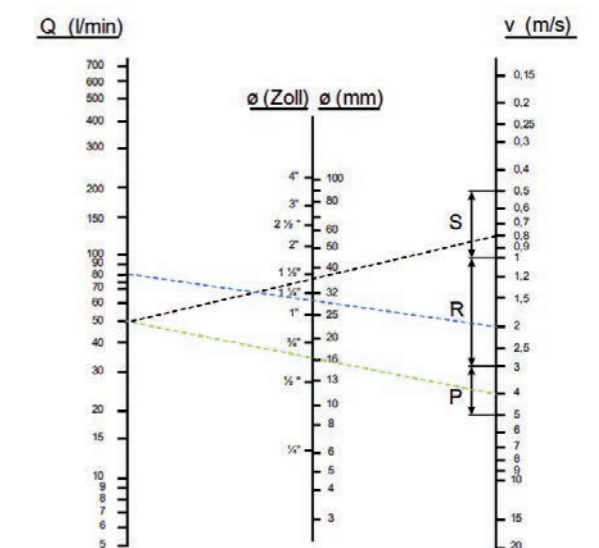
TIPS

- Position of the oil tank as high as possible
- Suction line as short as possible
- Fill only filtered oil into the PALFINGER oil tank
- All values are basic assumptions and only valid, if the crane is mounted according to PALFINGER installation guideline

ATTENTION

The calculation of the oil tank volume is only permitted for flow-optimized PALFINGER oil tanks and when using an adequately designed oil cooler. This calculation must be adjusted due to factors such as high ambient temperatures during long work cycles. Please note the PALFINGER installation guidelines.

REQUIRED PIPE CONNECTION



BEST PRICE DEAL - LOAD SENSING PUMPS

- Fuel savings due to tests between 6% and 22%
- Fine control of the crane
- Reduced noise and noise pollution and CO2 emission

CALCULATE FOR YOURSELF!

<input type="text"/>	% fuel saving (6% - 22%)
<input type="text"/>	Fuel consumption during crane operation
<input type="text"/>	crane hours / year
<input type="text"/>	fuel price / l
=	
SAVING PER YEAR	

LOAD SENSING PUMPS

PALFINGER load sensing pumps drive your crane efficiently and save your money in the long run. Highest product quality and energy efficiency characterize our products.

- All load sensing pumps are designed for operating pressure up to 385 bar
- PALFINGER warranty & service
- Suitable suction connection included in the package
- The collaboration with established manufacturers ensure longer and easier work with the PALFINGER product.

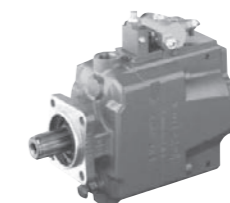
All PALFINGER load sensing pumps are presetted with an operating pressure of 200 bar, 30 bar LS pressure and must be set according crane requirements during installation.



- Highest performance efficiency
- Long-lasting bent axis design
- Low noise emission due to bent axis design
- By means of the adjusting screw the maximum displacement volume can be adjusted



- Compact design allows the installation on most vehicles
- Excellent price-performance-ratio
- 130l and 150l with exchangeable rotation direction (*)
- Huge variety of different flow rates available
- By means of the adjusting screw the maximum displacement volume can be adjusted (exception **)



- Compact design allows the installation on most vehicles
- High hydraulic efficiency
- Excellent reliability
- Compact and lightweight
- Includes power control at 130l (***)
- All HAWE load sensing pumps are on request available with power limitation or drive trough shaft

TECHNICAL DATA

REXROTH

HYDRO LEDUC

HAWE

40 - 70 [l/min] at 1000 rpm	Article number
	Displacement volume at 1000 rpm [l/min]
	Maximum speed [rpm]
	Dead weight [kg]
	Dimensions L x W x H [mm]
Incl. Suction Connection	

71 - 95 [l/min] at 1000 rpm	Article number
	Displacement volume at 1000 rpm [l/min]
	Maximum speed [rpm]
	Dead weight [kg]
	Dimensions L x W x H [mm]
Incl. Suction Connection	

96 - 125 [l/min] at 1000 rpm	Article number
	Displacement volume at 1000 rpm [l/min]
	Maximum speed [rpm]
	Dead weight [kg]
	Dimensions L x W x H [mm]
Incl. Suction Connection	

126 - 150 [l/min] at 1000 rpm	Article number
	Displacement volume at 1000 rpm [l/min]
	Maximum speed [rpm]
	Dead weight [kg]
	Dimensions L x W x H [mm]
Incl. Suction Connection	

Others	Article number
	Displacement volume at 1000 rpm [l/min]
	Maximum speed [rpm]
	Dead weight [kg]
	Dimensions L x W x H [mm]
Incl. Suction Connection	

EP 653HD (R) / EP 654HD (L)	55
	2500
	16
	266 x 118 x 304
	EA1288

EP 651HD (R) / EP 652HD (L)	80
	2240
	21
	288 x 128 x 325
	EA1290

EP 649HD (R) / EP 650HD (L)	107
	2150
	25
	309 x 134 x 342
	EA1290-45

Others	

EP1923R / EP1923L	40
	3000
	27
	276 x 125 x 248
	EA1867

EP 769R / EP 769L	75
	2000
	27
	276 x 125 x 248
	EA1867

EP 945R / EP 945L**	120
	2100
	27
	276x125x248
	EA1867-60

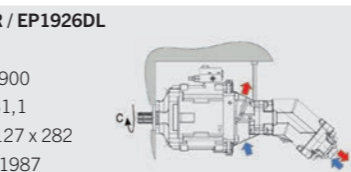
EP1926U*	130
	1900
	27,2
	328 x 127 x 282
	EA5871

EP1926DR / EP1926DL	1900
	31,1
	328 x 127 x 282
	EA1987

EP 768R / EP 768L	60
	2600
	27
	276 x 125 x 248
	EA1867

EP 770R / EP770L	92
	1900
	27
	276 x 125 x 248
	EA1867-60

EP 150U*	150 (Attention max. 350bar)
	2000
	27,2
	266 x 127 x 277
	EA6204



EP2169 (R) / EP2173 (L)	60
	2500
	24
	254 x 115 x 235
	EA6352

EP2170 (R) / EP2174 (L)	90
	2300
	27
	278 x 120 x 248
	EA6355

EP2171 (R) / EP2175 (L)	110
	2200
	30
	280 x 127 x 255
	EA6355

EP2172 (R) / EP2176 (L) ***	130
	2100
	31
	270 x 130 x 289
	EA6358

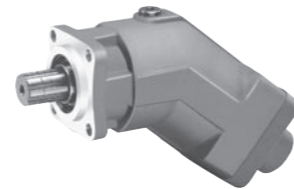
More detailed technical data can be found on PALDESK/Equipment

(R) clockwise (L) counterclockwise (U) universal

FIXED DISPLACEMENT PUMPS SINGLE FLOW

All PALFINGER fixed displacement pumps are ideally suited to the needs of the PALFINGER product and are delivered with the appropriate suction connection.

- All fixed pumps are designed for operating pressure up to 385 bar
- PALFINGER warranty & service
- Suitable suction connection included in the package
- The collaboration with established manufacturers ensure longer and easier work with the PALFINGER product



- Universal rotation direction
- Lightweight design through aluminum casing
- Low noise level due to sound-optimized design
- Bypass valve available (p. 18-19)



Bent axis pump



- Universal rotation direction
- Robust steel casing
- Reinforced seals
- Bypass valve available (p. 18-19)

In-line pump



- Universal rotation direction
- Resistant against fluids with slight contamination
- Compact design
- Complete packages incl. suction hose, hose clamps, pressure hose, etc. available (P)



- High hydraulic efficiency
- Excellent reliability
- Bypass valve available (p. 18-19)

TECHNICAL DATA

REXROTH

HYDRO LEDUC

PARKER

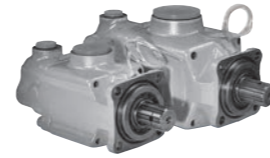
Flow Range [l/min]	Displacement volume at 1000 rpm [l/min]	Maximum speed [rpm]	Dead weight [kg]	Dimensions L x W x H [mm]	Incl. Suction Connection	Article number
10 - 20						
21 - 35						
36 - 46						
47 - 60						
61 - 65						
66 - 85						
86 - 130						

More detailed technical data can be found on PALDESK/Equipment

FIXED DISPLACEMENT PUMPS DOUBLE FLOW

All PALFINGER fixed displacement pumps are ideally suited to the needs of the PALFINGER product and are delivered with the appropriate suction connection.

- PALFINGER warranty & service
- The collaboration with established manufacturers ensure longer and easier work with the PALFINGER product



- Universal rotation direction
- Excellent price performance-ratio
- Variety of different flow rates
- Compact design
- Designed for operating pressure 400 bar continuous and 500 bar peak pressure



- Very low noise emission
- Low weight
- High hydraulic efficiency
- designed for operating pressure 350 bar continuous and 400 bar peak pressure

TECHNICAL DATA

HYDRO LEDUC

PARKER

	Article number			
2 x 30 – 49 [l/min] at 1000 rpm	Displacement volume at 1000 rpm [l/min]	EP 582 (U)	2 x 39	EP 2185 (R) / EP 2186 (L)
	Maximum speed [rpm]		1700	2 x 42
	Dead weight [kg]		23,5	1800
	Dimensions L x W x H [mm]		345 x 124 x 159	19
	Incl. Suction Connection		EA1867	282 x 148 x 213
				EA1845
2 x 50 – 59 [l/min] at 1000 rpm	Displacement volume at 1000 rpm [l/min]	EP 583 (U)	2 x 52	EP 410 (R) / EP 411 (L)
	Maximum speed [rpm]		1500	2 x 53
	Dead weight [kg]		23,5	1800
	Dimensions L x W x H [mm]		345 x 124 x 159	19
	Incl. Suction Connection		EA2148	282 x 148 x 213
				EA6532
2 x 60 – 75l [l/min] at 1000 rpm	Displacement volume at 1000 rpm [l/min]	EP 502 (U)	2 x 75	EP 984R / EP 984L
	Maximum speed [rpm]		1200	2 x 70
	Dead weight [kg]		26,8	1650
	Dimensions L x W x H [mm]		302 x 124 x 162,5	19
	Incl. Suction Connection		EA2148-60	282 x 148 x 213
				EA6532
Others at 1000 rpm	Displacement volume at 1000 rpm [l/min]	EP1158 (U)	1x 35 / 1x75	EP 318(R) / EP 701 (L)
	Maximum speed [rpm]		1500	1x 35 / 1 x 70
	Dead weight [kg]		27,4	1800
	Dimensions L x W x H [mm]		287 x 124 x 167,5	19
	Incl. Suction Connection		EA2148-60	282x148 x213
				EA6532
				EP 2187 (R) / EP 2188 (L)
				1x 28 / 1x 55
				1800
				19
				282 x 148 x 213
				EA1845

More detailed technical data can be found on PALDESK.

(R) clockwise (L) counterclockwise (U) universal

ACCESSORIES FOR PUMPS

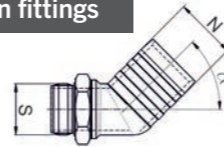
With original accessories from our pump manufacturers, we ensure efficient and safe operation of your equipment.

GENERAL

Suction hoses	Code	Nominal size [mm]	Length [mm]
	EH4720	38	1700
	EH4721	50	1700
	EH4722	60	1700

Dimensions suction fittings

Suction connection S
Nominal inner Ø N
Version α



BYPASS VALVES



For bent axis fixed displacement pumps mounted on a non-disconnectable PTO:
Allows a continuous pump speed, No heat development in the hydraulic circuit, No impairment of the pump life, No modification required on the vehicles hydraulic system

Manufacturer	Code	Fits on pump	Info
BOSCH REXROTH	EV8393	EP344	Deutsch connector
	EV8394	EP345	Deutsch connector
	EV8395	EP346	Deutsch connector
PARKER	EV8794-24V	EP 658 L/R, EP 659 L/R, EP 660 L/R, EP 661 L/R	Deutsch connector, with manual override
	EV8795-24V	EP 662 L/R, EP 663 L/R	Deutsch connector, with manual override
	EV8796-24V	EP 658 L/R, EP 659 L/R, EP 660 L/R, EP 661 L/R	Deutsch connector
	EV8797-24V	EP 662 L/R, EP 663 L/R	Deutsch connector
	EV8798-24V	EP2185 / EP2186, EP 410 / EP 411, EP 984 L/R	Deutsch connector, with manual override
	EV8799-24V	EP 318, EP 701, EP2187 / EP2188	Deutsch connector
HYDRO LEDUC	EV5183	up to 65 l/min	Hirschmann connector
	EV5183A	up to 65 l/min	Deutsch connector
	EV5184B	over 65 l/min	Hirschmann connector
	EV5184C	over 65 l/min	Deutsch connector

REXROTH

Suction fittings for	Suction Port S [in]	Nominal size N [mm]	Code		
			0°	45°	90°
Fixed and load sensing pumps	3/4 "	39	EA1287	EA1287-45	EA1287-90
	1 "	39	EA1288	EA1288-45	EA1288-90
	1 "	51	EA2111	EA2111-45	
	1 1/4 "	51	EA1290	EA1290-45	EA1290-90
	1 1/4 "	63	EA1710	EA1710-45	



HAWE

Suction fittings for	Suction Port S [in]	Nominal size N [mm]	Code		
			0°	45°	90°
Load sensing pump (R/L)	2 "	50	EA6352	EA6353	EA6354
	2 1/2 "	64	EA6355	EA6356	EA6357
	3 "	76	EA6358	EA6359	



PARKER

Suction fittings for	Suction Port S [in]	Nominal size N [mm]	Code		
			0°	45°	90°
Fixed displacement pump Single flow	1 1/2 "	38	EA1843	EA1843-45	EA1843-90
	1 3/4 "	48	EA1847	EA1847-45	EA1847-90
	2 "	50	EA1844	EA1844-45	EA1844-90
	2 1/2 "	63	EA1845	EA1845-45	
Fixed displacement pump Double flow	2 1/2 "	63	EA1845	EA1845-45	
	3 "	76	EA6532		



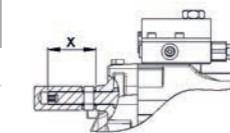
HYDRO LEDUC

Suction fittings for	Suction Port S [in]	Nominal size N [mm]	Code		
			0°	45°	90°
Fixed displacement pump Bent axis	1 1/2 "	39,1		EA1991	EA1991-90
	2 "	51,8		EA1992	EA1992-90
	2 1/2 "	64,5		EA1993	EA1993-90
Fixed displacement pump Single flow	1 1/2 "	40	EA1731		
	1 1/2 "	50	EA1867		
	1 1/2 "	60	EA1867-60		
	1 1/2 "	63,5	EA1867-63		
	1 1/2 "	76,2	EA1987		
	2 " *	50	EA2148		
Fixed displacement pump Double flow	1 1/2 "	40	EA1731		
	1 1/2 "	50	EA1867		
	1 1/2 "	60	EA1867-60		
	1 1/2 "	63,5	EA1867-63		
	1 1/2 "	76,2	EA1987		
	2 "	50	EA2148		
	2 "	60	EA2110		
	1 1/2 "	40	EA1731		EA5869
	1 1/2 "	50	EA1867		EA1900
	1 1/2 "	60	EA1867-60		
1 1/2 "	63,5	EA1867-63		EA6206	
Load sensing pump (U)	SAE	50	EA6203		
	SAE	60	EA5871		EA6205
	SAE	76,2	EA6204		

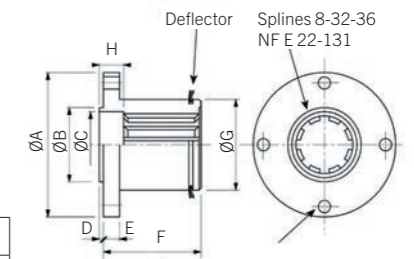


Setting screw	Code
for EP1926U and EP 150U	ES4006
for the others excl. EP 945R/L	ES2546

For setting of the max. oil flow at LEDUC load sensing pump



DIN 90	4 holes Ø 8,5 on Ø 74,5
DIN 100	4 holes Ø 10,5 on Ø 84



Dimensions in mm.

Coupling flange	Code	Type	Ø A	Ø B	C	D	E	F	Ø G	H
For direct mounting onto the cardan shaft	EA2065	DIN 90	90	47	43	2	10	62	55	15
	EA2066	DIN 100	100	57	43	2	10	64	55	15

Please consider the max. torque of the drive shaft

OIL TANK

PALFINGER offers oil tanks that are perfectly adjusted to our cranes. In addition to essential technical advantages the tanks offer an optimized price-performance-ratio. Whether aluminium or steel tank we support the PALFINGER partner in a qualitative and cost-effective mounting.

- Perfectly adapted to the requirements of the PALFINGER loader and timber & recycling cranes
- Due to a complex individual cleaning process we insure best possible safety against pollution of the hydraulic system
- Maximum oil saturation due to integrated baffle plates and generously dimensioned suction connections
- Prepared for the PALFINGER oil sensor



OIL TANK ACCESSORIES	CODE	DIMENSION	INFO
Suction fitting for mounting of a shut-off cock	EA2102	2" - NW 60mm	
Shut-off cock	EA1390	1 1/4" - NW 38mm	KTK001-BA, KTK021-BA
	EV4512	2" - NW 50mm	KTK002-BA - KTK007-BA, KTK063-BB - KTK065-BB
Angle piece	EA1818	1 1/4", 90°	KTK001-BA, KTK021-BA
	EA1817	2", 90°	KTK002-BA - KTK007-BA, KTK063-BB - KTK065-BB
Screw connection sleeve	EA1901	2", L=70mm	KTK002-BA - KTK007-BA, KTK063-BB - KTK065-BB
Electr. temp. and oil level sensor (PALTRONIC 150 only)	EEA6327A	L=410mm	KTK001-BA, KTK021-BA
	EEA6328A	L=510mm	KTK002-BA-KTK005-BA
	EEA6331A	L=1055mm	KTK007-BA

- Screwable bracket for different types of vehicles
- Central positioned breath filter
- New level indicator for optimized filling volume and better visibility
- Oil-temperature gauge separately from the level indicator
- Centrally positioned return oil filter



- Excellent price-performance-ratio
- Optimized coating against corrosion
- Central positioned breath filter
- All necessary connections for optimum connection to the PALFINGER crane
- PALFINGER return oil filter
- Universal steel mounting brackets included

TECHNICAL DATA

ALUMINIUM OIL TANK

STEEL OIL TANK

Capacity	Article number	Tank volume [l]	Dimensions L x W x H [mm]	Dead weight [kg]	Connections
0 - 75 liter	KTK063-BB	75	300 x 700 x 670	27	S=1x2"; R=60l/min; L=2x3/8"; D=1x3/4"
		KTK064-BB	100	400 x 700 x 680	34
100 liter	KTK065-BB	140	580 x 700 x 680	39	S=2x2"; R=180l/min; L=4x3/8"; D=1x3/4"
		KTK066-BB	200	820 x 700 x 680	43
140 liter	KTK067-BB	250	1020 x 700 x 680	47	S=2x3"; R=350l/min; L=4x3/8"; D=1x3/4"
		KTK068-BB	300	1210 x 700 x 680	53
200 liter	KTK069-BB	400	1610 x 700 x 680	70	S=2x3"; R=350l/min; L=4x3/8"; D=1x3/4"

Capacity	Article number	Tank volume [l]	Dimensions L x W x H [mm]	Dead weight [kg]	Connections
0 - 75 liter	UT032*	20	474 x 250 x 255	10	S=1/2"; R=20l/min
		KTK017-BA*	45	528 x 435 x 429	23
100 liter	KTK021-BA	100	727 x 440 x 555	45	S=2x1 1/4"; R=80l/min; L=2x3/8"; D=1"
		KTK002-BA	140	554 x 702 x 660	59
140 liter	KTK003-BA	200	749 x 702 x 660	62	S=2x2"; R=180l/min; L=4x3/8"; D=1"
200 liter	KTK004-BA	300	1054 x 702 x 660	77	S=2x2"; R=180l/min; L=4x3/8"; D=1"
		KTK007-BA	300	952 x 385 x 1318	77
250 liter	KTK005-BA	400	1477 x 702 x 660	98	S=2x2"; R=180l/min; L=4x3/8"; D=1"

S = Suction line
R = Return filter
L = Leakage oil connection
D = Oil drain opening
* = Without preparation for PALFINGER oil sensor

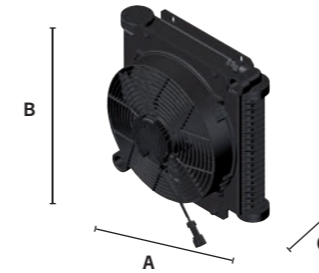
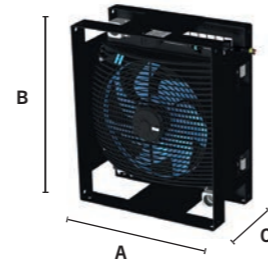
OIL COOLER

PALFINGER offers a huge range of additional oil coolers.

They ensure, that the oil temperature of the crane does not exceed the allowed range.

Respectively the fluid and the sealings are protected and the life span of the hydraulic fluid and components is increased.

Special flushing procedures ensure that all oil coolers have the optimum system cleanliness.



STRONG ARGUMENTS

- Highest product quality
- Flexible connection possibilities facilitate the individual mounting of the oil cooler
- By avoiding threads on the oil cooler an optimal system cleanliness is ensured.
- Easier mounting based on selectable flow type (Diagonal- and U-flow)
- All ASA-RAIL oil coolers are delivered with the patented ASA shock absorbers that offer a long an optimal absorption at long operating times
- Temperature sensor with improved protection class (IP69K)
- Protected against polarity and overvoltage as well as temperature-dependent oil cooler speed



For correct dimensioning, please use the calculation on page 10.

TECHNICAL DATA

ASA RAIL

ASA HYDRAULIC

RAAL

Cooling capacity [kW]*	ASA RAIL		ASA HYDRAULIC		RAAL		
	Article number	Article number	Article number	Article number	Article number	Article number	
≤ 8,5 kW	BKA64-12V	BKA64-24V			EP2055+00004	EP2055+00003	
	Cooling capacity [kW]*	7,6			7,2	7	
	Voltage [V]	12	24		12	24	
	Current [A]	16	8		15	9	
	max. oil flow at 30cst [l/min]	20 - 150			20 - 150	20 - 150	
	Protection class	IP67			IP67	IP67	
	Temperature range [°C]	44 - 55			45 - 55	40 - 60	
9 - 10,5 kW	BKA65-12V	BKA65-24V	BKA63-12V	BKA63-24V	EP2074+00002	EP2074+00001	
	Cooling capacity [kW]*	10,4		10,4	10,4	10	
	Voltage [V]	12	24	12	24	12	24
	Current [A]	19	11	19	11	19,5	10,6
	max. oil flow at 30cst [l/min]	20 - 150		20 - 150		20 - 150	
	Protection class	IP67		IP67		IP67	
	Temperature range [°C]	44 - 55		44 - 55		44 - 55	40 - 60
≥ 11 kW	BKA66-12V	BKA66-24V				BKA34	
	Cooling capacity [kW]*	15,6				20	
	Voltage [V]	12	24			24	
	Current [A]	19	10			9,3	
	max. oil flow at 30cst [l/min]	20 - 200				20 - 150	
	Protection class	IP67				IP65	
	Temperature range [°C]	44 - 55				45 - 55	

* ΔT = 40°C / Q = 100 l/min

● standard
- not available

STATIONARY HYDRAULIC AGGREGATES

"With the stationary hydraulic aggregates, we offer an optimal solution for the application of our loader cranes as well as timber cranes in stationary based operation.

By adapting these units to the special needs of our cranes a simple and efficient electro-hydraulic drive of the crane can be guaranteed. Due to the integrated power controller, high working pressures are required (up to 365 bar), as well as high liter volumes (up to 195 l/min) possible.

Observe the guidelines for stationary crane operation."



PERFORMANCE DATA

- Working pressures up to 365 bar
- Motors with efficiency class IE03
- Required mains frequency 50 Hz
- Required voltage 3x400V
- Protection class engine IP55
- Protection class control box IP65



STRONG ARGUMENTS

- Fast and efficient operation due to the power controller of the unit
- High energy efficiency due to the use of engines of efficiency IE03 and the variable pumps with load sensing device
- The perfectly matched complete system guarantees one simple and quick setup
- High operational reliability of the unit due to optional equipment such as Oil pan and tank heating

15 kW

30 kW

55 kW

75 kW

HYDRAULIC AGGREGATE

Electric motor, load sensing pump, power-, pressure- and flow-control, damping rails, hydraulic tank, air filter, oil gauge, return filter, float switch

		EP1901	EP1902	EP1903	EP1904
Crane class	[mt]	9	23	50	150
Max. flow rate	[l/min]	60	90	142	195
Max. operation pressure	[bar]	365	365	365	365
Tank volume	[l]	250	400	400	630
Dimensions (A x B x C)	[mm]	1245x910x720	1780x1030x780	1780x1165x780	1780x1385x990

CONTROL BOX

Control box with regulated power supply 3x400VAC / 24VDC / 40A Energy meters for invoicing (non-verifiable)

		EEA11010	EEA11011	EEA11012	EEA11013
Dimensions (D x E x F)	[mm]	600x600x250	600x600x250	760x760x300	760x760x300

OIL PAN

Version according to Water Resources Act

		HXE4940	HXE4941	HXE4941	HXE4942
Dimensions (G x H x I)	[mm]	1210x360x970	1785x370x1035	1785x370x1035	1785x440x1245

TANK HEATING

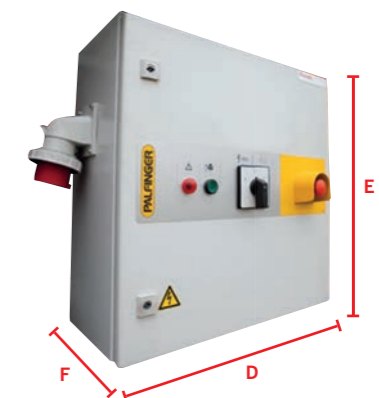
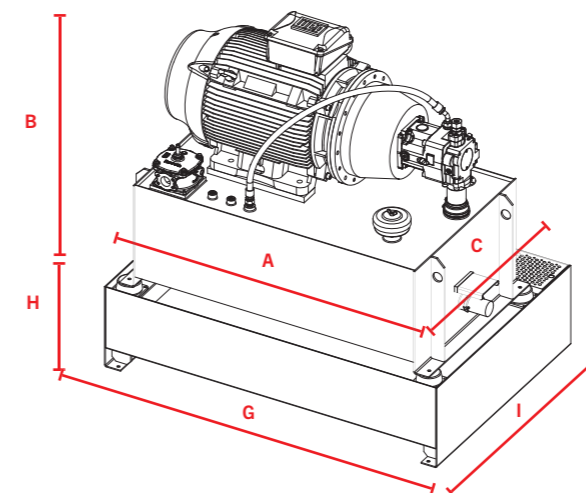
Screw-in heater 1050 Watt

EEA11014

EEA11014

EEA11014

EEA11014



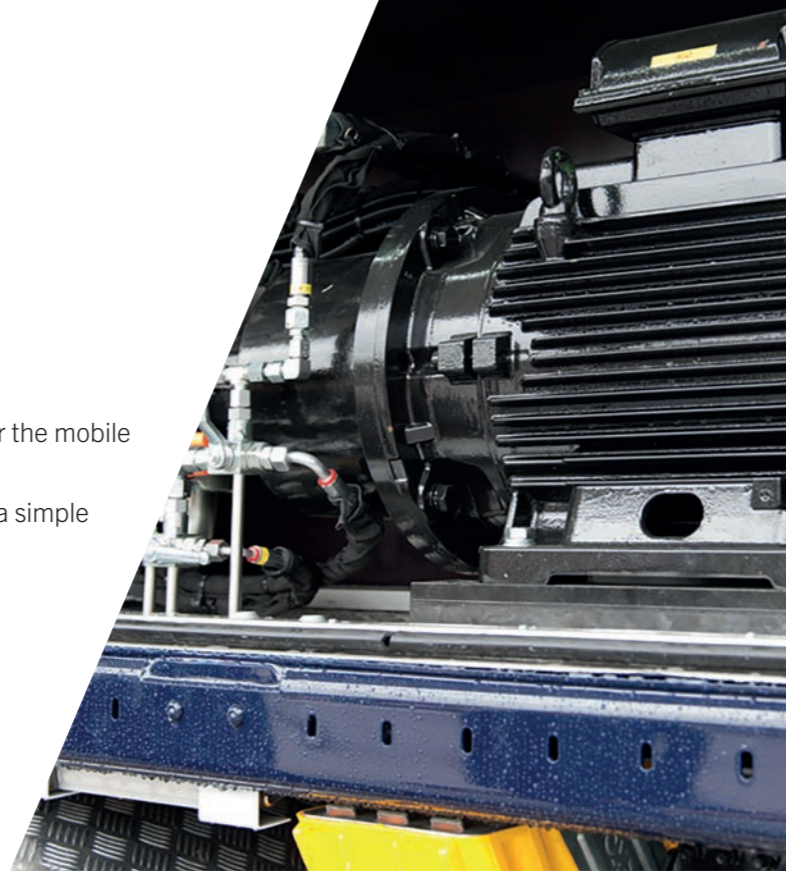
Caution: For cranes with workman basket a separate technical clarification is necessary.

HYBRID DRIVE

"With the PALFINGER hybrid drive, we offer an efficient solution for the mobile use of the crane in noise and emission sensitive areas.

By adapting these units to the specific requirements of the crane, a simple and efficient electro-hydraulic drive can be ensured."

- Work in noise and emission sensitive areas
- Save up to 80% of the running costs
- Easy connection by means of power cable to the power supply (32A / 63A)



Hybrid	Components	For cranes	Power connection
15 kW	1 x EP1500 Engine pump unit 15kW 1 x EP1501 Switch cabinet for hybrid 15kW	≤ PK 50002 EH	32A
30 kW – single circuit	1 x EP2224 Engine pump unit 30kW 1 x EEA14215 Switch cabinet for hybrid 30kW single circuit	≤ PK 110002 SH	63A
2 x 30 kW	2 x EP2224 Engine pump unit 30kW 1 x EEA14216 Switch cabinet for hybrid 30kW double circuit	≤ PK 200002L SH	2 x 63A

COMPONENTS HYBRID DRIVE

- Operating pressures up to 365 bar
- Electric engine
- Variable displacement pump
- Power control
- Damping rails
- Installation instructions and documentation (E / DE)

COMPONENTS CONTROL CABINET

- Wired control cabinet
- Device plug for easy connection to the power supply (at 30kW loose)
- Emergency stop button
- Illuminated pushbutton "Pump ON"
- Indicator light "Pump fault"
- Switch from motor-hydraulic to electro-hydraulic
- Outlets for Paltronic, headlight, oil cooler, LS switch
- Controlled power supply 3x400VAC / 24VDC / 40A (60A for Working basket drive EN280 on request)
- Energy meter for invoicing (non-verifiable)
- Installation instructions and documentation (E / DE)
- The cabling between the hybrid drive and the control cabinet must be realized by the installer using the enclosed wiring diagram

"WATCH THE VIDEO ON YOUTUBE"



CALCULATE FOR YOURSELF

COSTS FOR CRANE OPERATION

$$\frac{\text{Consumption per crane operating hour}}{\text{kWh per crane operating hour}} \times \frac{\text{Price per liter of fuel}}{\text{kWh}} = \frac{\text{Fuel costs per crane operation hour}}{\text{Energy per crane operating hour}}$$

$$\frac{15 \text{ kWh}}{\text{kWh per crane operating hour}} \times \frac{\text{Price per kWh}}{\text{kWh}} = \frac{\text{Energy per crane operating hour}}{\text{Energy per crane operating hour}}$$

$$\frac{\text{Saving per crane operating hour}}{\text{Operating hours per year}} \times \text{Operating hours per year} = \text{Savings per year}$$

BENEFITS FOR CUSTOMER

- Reduction of noise pollution
- No exhaust gases at the construction site
- Environmentally friendly solution

BENEFITS FOR EMPLOYEE

- Quick and smooth working of the crane due to the power controlled load sensing pump
- Facilitated conversation with other employees due to the reduced noise pollution
- Environmentally friendly solution

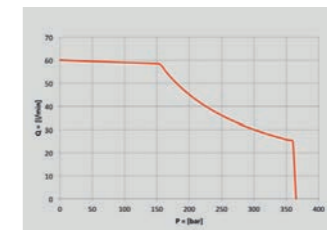
BENEFITS FOR ENTREPRENEUR

- 80% cost effective saving of energy in crane operation*
- Saving of operating hours on the truck
- Possibility to work in buildings and noise sensitive areas (hospitals, schools...)
- Environmentally friendly solution

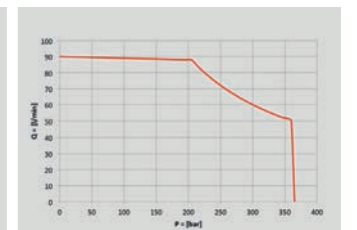
*depending on the extent of use and the country-specific prices for energy and fuel

PLEASE CONSIDER

- Position oil tank as high as possible
- Only the use of LED lightning on the crane is possible
- Wiring in the control cabinet is to carry out by a certified specialist according wiring diagram
- Due to the power-controlled pump the operating speed of the crane is reduced compared to the conventional hydraulic drive (see performance curve)



Power regulation 15 [kW]



Power regulation 30 [kW]

EMERGENCY POWERPACK

EMERGENCY POWERPACK FOR WORKMAN BASKET

In order to ensure a safe lowering of the working basket in the event of failure of the conventional hydraulic system an emergency operation of the working basket must be provided. This emergency lowering is compulsory for EN280 cranes, but is also recommended for NON-CE cranes.

The emergency drive is available as a hydraulic kit for constant or variable displacement pumps for 24V. In the hydraulic kit. All necessary hydraulic components, such as non-return valves, pressure gauges, etc., are included. The hydraulic unit is also available as a loose part (12V / 24V).



ATTENTION: The drive is designed exclusively for emergency and not for standard operation. The hydraulic and electrical connection has to be made according to the building guidelines of PALFINGER. Be sure to observe the specifications of the carrier vehicle! For the electrical connection, the corresponding Cable cross sections to be observed (90mm²).

Code	Description
KMG00210A	Emergency drive kit for workman basket on constant flow cranes 24V – 3 kW – max. 270 bar
KMG00211A	Emergency drive kit for workman basket on load sensing cranes 24V – 3 kW – max. 270 bar
EP1982	Emergency power pack 24V – 3kW – max. 270 bar
EP2022	Emergency power pack 12V – 3kW – max. 270 bar

Technical specification available in PALDESK / Equipment

ADDITIONAL STABILIZERS

PALFINGER is the only crane manufacturer that offers a complete additional stabilizer range!

- Developed and produced at PALFINGER
- Simple and ideal integration into the stability system of the crane - "Plug & Play"
- Low dead weight = Higher payload
- High permissible supporting forces up to 240 kN
- All supporting cylinders are equipped with tiltable stabilizer pads (Conform to EN12999)
- Fully variable supporting position available
- Up to 50% improved stability
- Protected hoses and cables due to the inside mounting
- Maintenance optimized outrigger system
- High working speed due to return oil utilization
- High quality KTL coating prevents corrosion



PALFINGER RECOMMENDATION

The following table can be used for selecting the additional stabilizers for the respective crane model in combination with the truck wheel formula. Due to the variety of trucks and cranes, unrealizable combinations can occur.

This table is only a general information and does not replace an axle load calculation and stability analysis!

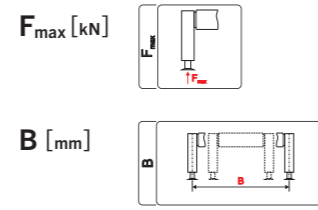
Crane model	Truck wheel drive	Front mounting with platform	Semi-trailer truck	Rear mounting with platform
PK 16001 - PK 18001L PK 18502 SH	4 x 2	BS002 + STZS (BS002 + STZY3) (BS001 + STZS) (BS001 + STZY3)	BS003 + STZS (BS002 + STZS)	BS002 + STZS (BS001 + STZS)
	6 x 4	BS002 + STZS (BS002 + STZY3) (BS001 + STZS) (BS001 + STZY3)	BS003 + STZS (BS002 + STZS)	BS002 + STZS (BS001 + STZS)
PK 19502 - PK 23001L PK 23002 SH	4 x 2	BS002 + STZS (BS002 + STZY3) (BS001 + STZS) (BS001 + STZY3)	BS003 + STZS (BS002 + STZS)	BS002 + STZS (BS001 + STZS)
	6 x 4	BS002 + STZS (BS002 + STZY3) (BS001 + STZS) (BS001 + STZY3)	BS003 + STZS (BS002 + STZS)	BS002 + STZS (BS001 + STZS)

Crane model	Truck wheel drive	Front mounting with platform	Semi-trailer truck	Rear mounting with platform
PK 24001 - PK 33002 EH	4 x 2	BS003 + STZS (BS003 + STZY3) (BS002 + STZS) (BS004 + STZY3)	BS003 + STZS	BS003 + STZS (BS003 + STZS + STÜ07) (BS002 + STZS)
	6 x 4	BS003 + STZS (BS003 + STZY3) (BS002 + STZS) (BS004 + STZY3)	BS003 + STZS	BS003 + STZS (BS003 + STZS + STÜ07) (BS002 + STZS)
	8 x 4	BS003 + STZS (BS003 + STZY3) (BS002 + STZS) (BS004 + STZY3)	BS003 + STZS	BS003 + STZY3 (BS004 + STZY3)
PK 34002 SH - PK 42002 SH	4 x 2	BS005 + STZS (BS003 + STZY3) (BS004 + STZY3)	BS005 + STZS (BS007 + STZS)	BS003 + STZS (BS005 + STZS + STÜ07)
	6 x 4	BS005 + STZS (BS003 + STZY3) (BS004 + STZY3)	BS005 + STZS (BS007 + STZS)	BS003 + STZS (BS005 + STZS + STÜ07)
	8 x 4	BS005 + STZS (BS003 + STZY3) (BS004 + STZY3)	BS005 + STZS (BS007 + STZS)	BS003 + STZY3 (BS004 + STZY3)
PK 48002 EH - PK 58.002 TEC 7	4 x 2	BS007 + STZS (BS005 + STZS)	BS007 + STZS (BS005 + STZS)	BS004 + STZS
	6 x 4	BS007 + STZS (BS005 + STZS)	BS007 + STZS (BS005 + STZS)	BS004 + STZS
	8 x 4	BS007 + STZS (BS005 + STZS) (BS006 + STZY3)	BS007 + STZS	BS006 + STZY3 (BS005 + STZS)
PK 56502 - PK 65002 SH	6 x 4	BS007 + STZS (BS006 + STZY3) (BS019 + STZS)	BS007 + STZS (BS019 + STZS)	BS018 + STZS (BS019 + STZS)
	8 x 4	BS007 + STZS (BS018 + STZS) (BS019 + STZS)	BS007 + STZS (BS019 + STZS)	BS018 + STZS (BS006 + STZY3)
PK 78002 SH	6 x 4	BS007 + STZS (BS018 + STZS) (BS019 + STZS)	BS007 + STZS (BS019 + STZS)	BS018 + STZS (BS019 + STZS)
	8 x 4	BS007 + STZS (BS018 + STZS) (BS019 + STZS)	BS007 + STZS (BS019 + STZS)	BS018 + STZS (BS006 + STZY3)
PK 92002 SH - PK 110002 SH	6 x 4	-----	-----	(**)
	8 x 4	BS019 + STZS (BS1242A + STZS+STÜ04)	BS019 + STZS (BS1242A + STZS+STÜ04)	BS1242A + STZS (BS019 + STZS) (BS1286A + STZY)
PK 135.002 TEC 7 - PK 165.002 TEC 7	6 x 4	-----	-----	-----
	8 x 4	BS1242A + STZS+STÜ04 (BS019 + STZS)	BS1242A + STZS+STÜ04 (BS019 + STZS)	-----
	10 x 4	BS1242A + STZS+STÜ04 (BS019 + STZS + STÜ11)	BS1242A + STZS+STÜ04 (BS019 + STZS + STÜ11)	-----

(**) Special solution on demand

(...) Articles in brackets are possible alternatives

ADDITIONAL STABILIZERS CONFIGURATION POSSIBILITIES



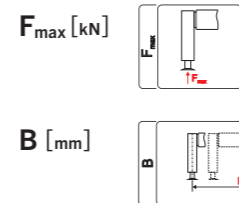
- standard
- optional
- not available
- ¹ Also available for cranes with HPSC
- ² Not in combination with STÜ07
- ³ Obligatory for EN-12999
- ⁴ Without transport monitoring outriggers



F_{max} = 90 kN B = 2100 mm = 2200 mm = 2300 mm	F_{max} = 90 kN B = 3400 mm	F_{max} = 90 kN B = 3400 mm	F_{max} = 120 kN B = 4400 mm	F_{max} = 120 kN B = 5200 mm	F_{max} = 140 kN B = 5200 mm	F_{max} = 160 kN B = 5900 mm
--	--	--	---	---	---	---

OPTION	DESCRIPTION	CODE	BS001		BS002M		BS002H		BS003		BS004		BS005		BS006	
			CE	Non-CE	CE	Non-CE	CE	Non-CE	CE	Non-CE	CE	Non-CE	CE	Non-CE	CE	Non-CE
Stability monitoring	Step-by-step stability monitoring (0%, 50%, 100%)	ISC ¹	●	○	●	○	●	○	---	---	---	---	---	---	---	---
	Continuous stability monitoring	HPSC	---	---	---	---	---	---	●	○	●	○	●	○	●	○
Paltronic	Prepared for the integration into PAL40	PAL40	○	○	---	---	---	---	---	---	---	---	---	---	---	---
	Prepared for the integration into PAL50	PAL50	●	●	●	●	●	●	●	●	●	●	●	●	●	●
	Prepared for the integration into PAL150	PAL150	○	○	○	○	○	○	○	○	○	○	○	○	○	○
Outrigger box	Manually extendable outrigger	R _{man}	●	●	●	●	---	---	---	---	---	---	---	---	---	---
	Hydraulic extendable outrigger	RX _{hydr}	---	---	---	---	●	●	●	●	●	●	●	●	●	●
Cylinder variant	Stabilizer ram rigid, mounting above vehicle frame	STZS3 MTF-A	○	○	○	○	○	○	○	○	○	○	---	---	○	○
	Stabilizer ram rigid, mounting below vehicle frame	STZS3 MTF-B	○	○	○	○	○	○	○	○	---	---	○	○	---	---
	Stabilizer ram 60° manually tiltable	STZY3	○	○	○	○	○	○	○	○	○	○	---	---	○	○
	Stabilizer ram 180° hydraulically tiltable	STZY	---	---	---	---	○	○	○	○	○	○	---	---	○	○
Long version of stabilizer ram	150 mm elongated stabilizer ram	STÜ04	---	---	---	---	---	---	---	---	---	---	---	---	---	---
	100 mm elongated stabilizer ram	STÜ05	○	○	○	○	○	○	---	---	---	---	---	---	---	---
	200 mm elongated stabilizer ram	STÜ07	○	○	○	○	○	○	○	○	○	○	---	---	○	○
	120 mm elongated stabilizer ram	STÜ09	---	---	---	---	---	---	○	○	---	---	○	○	---	---
	075 mm elongated stabilizer ram	STÜ11	---	---	---	---	---	---	---	---	---	---	---	---	---	---
	220 mm elongated stabilizer ram	STÜ12	---	---	---	---	---	---	---	---	---	---	---	---	---	---
Extensions for stabilizer ram²	100 mm extension	STT100	○	○	○	○	○	○	○	○	○	○	○	○	○	○
	200 mm extension	STT200	○	○	○	○	○	○	○	○	○	○	○	○	○	○
Electric	24 Volt	24V	○	○	○	○	○	○	○	○	○	○	○	○	○	○
	12 Volt	12V	○	○	○	○	○	○	○	○	○	○	○	○	○	○
	Plug & Play Connection	S-IQ ³	○	---	○	---	○	---	○	---	○	---	○	---	○	---
	Transport monitoring system outriggers	AUSW	●	---	●	○	●	○	●	○	●	○	●	○	●	○
	Transport monitoring system outriggers + stabilizer cylinders	ABSTW	○ ⁴	○ ⁴	○	○	○	○	○	○	○	○	○	○	○	○
	LED lightning package	BEL	○	○	○	○	○	○	○	○	○	○	○	○	○	○
Others	Side protection cover outrigger	ADECK	●	○	●	○	●	○	●	○	●	○	●	○	●	○
	Base coated	GRUND	●	●	●	●	●	●	●	●	●	●	●	●	●	●

ADDITIONAL STABILIZERS CONFIGURATION POSSIBILITIES



- standard
- optional
- not available
- ¹ Also available for cranes with HPSC
- ² Not in combination with STÜ07
- ³ Obligatory for EN-12999
- ⁴ Without transport monitoring outriggers



BS007 $F_{max} = 160 \text{ kN}$ $B = 5900 \text{ mm}$
 BS017 $F_{max} = 120 \text{ kN}$ $B = 5200 \text{ mm}$
 BS018 $F_{max} = 160 \text{ kN}$ $B = 5900 \text{ mm}$
 BS019 $F_{max} = 200 \text{ kN}$ $B = 7100 \text{ mm}$
 BS1242A-1 $F_{max} = 210 \text{ kN}$ $B = 8500 \text{ mm}$
 BS1286A $F_{max} = 240 \text{ kN}$ $B = 8600 \text{ mm}$
 BS1298A $F_{max} = 240 \text{ kN}$ $B = 8600 \text{ mm}$

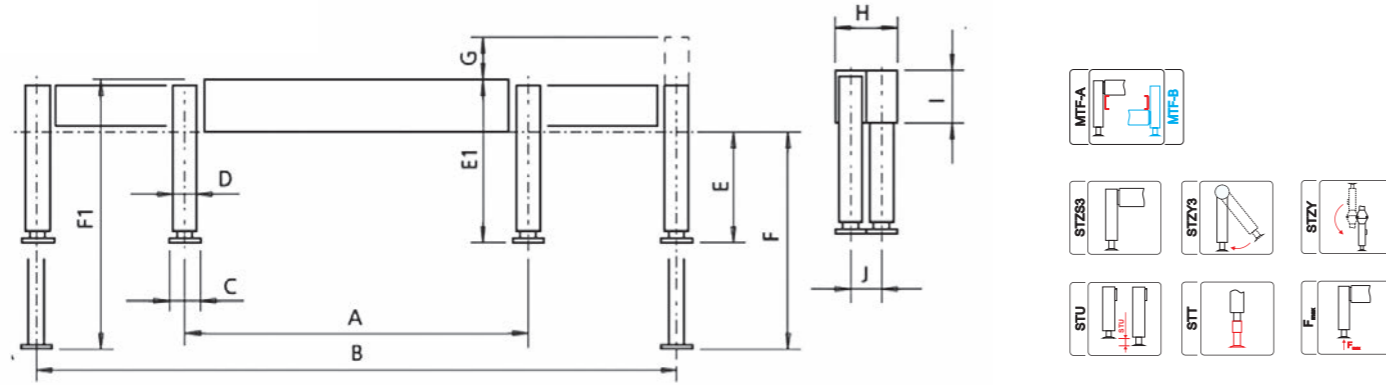
- without return oil utilization
- conventional outrigger system

OPTION	DESCRIPTION	CODE	BS007		BS017		BS018		BS019		BS1242A-1		BS1286A		BS1298A	
			CE	Non-CE	CE	Non-CE	CE	Non-CE	CE	Non-CE	CE	Non-CE	CE	Non-CE	CE	Non-CE
Stability monitoring	Step-by-step stability monitoring (0%, 50%, 100%)	ISC ¹	--	--	--	--	--	--	--	--	--	--	--	--	--	--
	Continuous stability monitoring	HPSC	●	○	●	○	●	○	●	○	●	○	●	○	●	○
Paltronic	Prepared for the integration into PAL40	PAL40	--	--	--	--	--	--	--	--	--	--	--	--	--	--
	Prepared for the integration into PAL50	PAL50		●	●	●	●	●	●	●	●	●	●	●	●	●
	Prepared for the integration into PAL150	PAL150	○	○	○	○	○	○	○	○	○	○	○	○	○	○
Outrigger box	Manually extendable outrigger	R _{man}	--	--	--	--	--	--	--	--	--	--	--	--	--	--
	Hydraulic extendable outrigger	RX _{hydr}	●	●	●	●	●	●	●	●	●	●	●	●	●	●
Cylinder variant	Stabilizer ram rigid, mounting above vehicle frame	STZS3 MTF-A	--	--	--	--	--	○	○	○	○	--	--	--	●	●
	Stabilizer ram rigid, mounting below vehicle frame	STZS3 MTF-B	○	○	○	○	○	○	○	○	○	○	--	--	--	--
	Stabilizer ram 60° manually tiltable	STZY3	--	--	--	--	--	--	--	--	--	--	--	--	--	--
	Stabilizer ram 180° hydraulically tiltable	STZY	--	--	--	--	--	--	--	--	--	--	●	●	--	--
Long version of stabilizer ram	150 mm elongated stabilizer ram	STÜ04	--	--	--	--	--	○	○	○	○	--	--	--	--	--
	100 mm elongated stabilizer ram	STÜ05	--	--	--	--	--	--	--	--	--	--	--	--	--	--
	200 mm elongated stabilizer ram	STÜ07	--	--	○	○	○	○	--	--	--	--	--	--	--	--
	120 mm elongated stabilizer ram	STÜ09	○	○	--	--	--	--	--	--	--	--	--	--	--	--
	075 mm elongated stabilizer ram	STÜ11	--	--	--	--	--	--	○	○	--	--	--	--	--	--
	220 mm elongated stabilizer ram	STÜ12	--	--	--	--	--	--	○	○	--	--	--	--	--	--
Extensions for stabilizer ram²	100 mm extension	STT100	○	○	○	○	○	○	--	--	--	--	--	--	--	--
	200 mm extension	STT200	○	○	○	○	○	○	--	--	--	--	--	--	--	--
Electric	24 Volt	24V	○	○	○	○	○	○	○	○	○	○	○	○	○	○
	12 Volt	12V	○	○	○	○	○	○	○	○	○	○	○	○	○	○
	Plug & Play Connection	S-IQ ³	○	--	○	--	○	--	○	--	○	--	○	--	○	--
	Transport monitoring system outriggers	AUSW	●	○	●	○	●	○	●	○	●	○	●	○	●	○
	Transport monitoring system outriggers + stabilizer cylinders	ABSTW	○	○	○	○	○	○	○	○	○	○	○	○	○	○
	LED lightning package	BEL	○	○	○	○	○	○	○	○	○	○	○	○	○	○
Others	Side protection cover outrigger	ADECK	●	○	●	●	●	●	●	●	--	--	--	--	--	--
	Base coated	GRUND	●	●	●	●	●	●	●	●	●	●	●	●	●	●

ADDITIONAL STABILIZERS

DIMENSIONS AND WEIGHT

DIMENSIONS



Stabilizer	Cylinder Variant	Special Stabilizer	F _{max} [kN]	Support Width B [mm]	Weight [kg]	A [mm]	C [mm]	D [mm]	E/E1 [mm]	F/F1 [mm]	G [mm]	H [mm]	I [mm]	J [mm]
BS001	STZS3 MTF-A	--		2100*	185				E - 716	F - 1236	20			
	STZS3 MTF-A	STÜ07		2100*	200	2100			E - 908	F - 1616	20			
	STZS3 MTF-B	--	90	2200*	177	2200	230	127	E1 - 401	F1 - 851	380	150	130	0
	STZS3 MTF-B	STÜ05		2300*	185	2300			E1 - 556	F1 - 1076	330			
BS002H BS002M	STZY3	--			215				E - 854	F - 1374	20			
	STZS3 MTF-A	--			250				E - 686	F - 1206	20			
	STZS3 MTF-A	STÜ07			265				E - 878	F - 1586	20			
	STZS3 MTF-B	--	90	3400	242	2300	230	127	E1 - 401	F1 - 851	380	150	180	0
	STZS3 MTF-B	STÜ05			250				E1 - 556	F1 - 1076	330			
BS003	STZY3	--			280				E - 824	F - 1344	20			
	STZY	--			333				E - 972	F - 1542	90			
	STZS3 MTF-A	--			490				E - 675	F - 1255	25			
	STZS3 MTF-A	STÜ07			510				E - 874	F - 1629	25			
	STZS3 MTF-B	--	120	4400	479	2323	230	127	E1 - 406	F1 - 876	374	320	200	154
BS004	STZS3 MTF-B	STÜ05			491				E1 - 576	F1 - 1156	374			
	STZY3	--			514				E - 825	F - 1300	--			
	STZY	--			538				E - 881	F - 1411	--			
	STZS3 MTF-A	--			600				E - 675	F - 1255	25			
BS005	STZS3 MTF-A	STÜ07			620				E - 874	F - 1629	25	320	200	154
	STZY3	--	120	5200	624	2323	230	127	E - 825	F - 1300	--			
	STZY	--			648				E - 881	F - 1411	--			
	STZS3 MTF-B	--			540				E1 - 400	F1 - 870	374	250	335	119
BS006	STZS3 MTF-B	STÜ05	140	5200	555	2323	230	127	E1 - 570	F1 - 1150	374			
	STZS3 MTF-A	--			790				E - 650	F - 1230	55			
	STZS3 MTF-A	STÜ07			810				E - 849	F - 1604	55	400	250	234
BS007	STZY3	--	160	5900	810	2323	230	127	E - 800	F - 1275	--			
	STZY	--			845				E - 856	F - 1386	--			
	STZS3 MTF-B	--			720				E1 - 400	F1 - 870	380	322	354	237
BS017 **	STZS3 MTF-B	STÜ05	160	5900	735	2323	230	127	E1 - 570	F1 - 1150	330			
	STZS3 MTF-B	--			587	2323	230	127	E1 - 255	F1 - 555	356	330	200	154
BS018 **	STZS3 MTF-B	--	160	5900	803	2316	230	127	E1 - 315	F1 - 615	295	459	244	192
	STZS3 MTF-A	--			1345				E - 611	F - 1221	411			
	STZS3 MTF-B	--			1335				E1 - 320	F1 - 620	394	616	327	290
	STZS3 MTF-B	STÜ11	200	7100	1345	2100	300	146	E1 - 320	F1 - 699	473			
	STZS3 MTF-B	STÜ12			1365				E1 - 359	F1 - 883	577			
BS1242A-1	STZS3 MTF-A	--			1840				E - 669	F - 1279	--			
	STZS3 MTF-B	--	210	8.600	1840	2180	300	146	E1 - 414	F1 - 793	355	703	440	340
BS1286A	STZS3 MTF-B	STÜ04			1860				E1 - 452	F1 - 976	459			
BS1298A	STZY	--	240	8.600	1496	2514	360	146	E - 1099	F - 1677	--	644	425	196
	STZS3 MTF-A	--	240	8.600	1395	2248	360	146	E - 887	F - 1393	61	396	425	196

* to be determined at mounting

** Option adjustable height/position HEIA not included

CONTROL VALVE

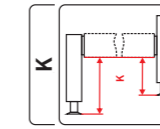
Control Valve	Code	Fits on
2-way valve with integrated return oil utilization	US1070**	BS1242A-1
4-way valve without return oil utilization	US891	BS002H-BS007, BS017-BS019, BS1242A-1*, BS1286A, BS1298A
2-way valve without return oil utilization	KSC00012C**	BS001-BS007, BS017-BS019 Front- & Frame stabilizers

* Reduced speed when used for BS1242A-1

** when used for an additional stabilizer with 4 functions – outrigger and stabilizer cylinder - 2 pcs. are required

FRONT STABILIZERS & FRAME STABILIZERS

- PALFINGER development and manufacturing
- For optimal safety
- High permissible supporting forces up to 300 kN
- Integrated stability control
- Simple and efficient integration into the Stability system



Front Stabilizers	Code	F _{max} [kN]	Total length [mm]	Stroke [mm]	Weight [kg]
1 pcs. front stabilizer incl. support control switch	BS1322B	100	730	450	49
1 pcs. front stabilizer incl. support control switch and S-IQ	BS1322B+SIQ	100	730	450	50
2 pcs. BS1322B incl. support control switch and S-IQ cable harness for 2 cylinders	KSZ00419A+SIQ	100	730	450	100
1 pcs. front stabilizer incl. support control switch	BS1323B	150	990	655	79
1 pcs. front stabilizer incl. support control switch and S-IQ	BS1323B+SIQ	150	990	655	80
2 pcs. BS1323B incl. support control switch and S-IQ cable harness for 2 cylinders	KSZ00420A+SIQ	150	990	655	160
1 pcs. front stabilizer incl. support control switch	KSZ00284A	200	780	450	79
1 pcs. front stabilizer incl. support control switch and S-IQ	KSZ00284A+SIQ	200	780	450	80
2 pcs. KSZ00284A incl. support control switch and S-IQ cable harness for 2 cylinders	KSZ00421A+SIQ	200	780	450	160
1 pcs. front stabilizer incl. support control switch	KSZ00286A	300	810	450	89
1 pcs. front stabilizer incl. support control switch and S-IQ	KSZ00286A+SIQ	300	810	450	90
2 pcs. KSZ00286A incl. support control switch and S-IQ cable harness for 2 cylinders	KSZ00422A+SIQ	300	810	450	180
1 pcs. front stabilizer incl. support control switch	KSZ00440A	196	630	300	70
1 pcs. front stabilizer incl. support control switch and S-IQ	KSZ00440A+SIQ	196	630	300	71
2 pcs. KSZ00440A incl. support control switch and S-IQ cable harness for 2 cylinders	KSZ00441A+SIQ	196	630	300	141
1 pcs. front stabilizer incl. support control switch	KSZ00443A	98	630	300	45
1 pcs. front stabilizer incl. support control switch and S-IQ	KSZ00443A+SIQ	98	630	300	46
2 pcs. KSZ00443A incl. support control switch and S-IQ cable harness for 2 cylinders	KSZ00444A+SIQ	98	630	300	91

* max. permissible dyn. Stabilizer force per stabilizer cylinder

Frame stabilizers	Code	F _{max} [kN]	Total length [mm]	Stroke [mm]	K [mm]	Weight [kg]
One pair rigid stabilizer rams STZS3 MTF-B	BS1333	85	770	450	385	105
One pair rigid stabilizer rams STZS3 MTF-A	BS1334	85	760	415	615	105
One pair rigid stabilizer rams STZS3 MTF-A	BS1335	85	985	630	830	125

FRONT STABILIZER KITS

PALFINGER is the only crane manufacturer that offers a complete range of front stabilizers.

- A screwable system that is optimally adapted to the respective truck chassis reduces material and installation costs
- Ideal transmission of force through the specially adapted cross beams and connections to the respective vehicle frames
- Compact design thanks to the integration of the support cylinder into the cross beam
- Cylinder lengths optimized for each chassis variant
- Simple and ideal integration into the HPSC stability system of the crane - "Plug & Play"
- Due to the included pressure transducers (or pressure switches for non-S-IQ), the kits have an integrated, adjustable frame overload protection system
- The special designed air intakes of the covers ensure good ventilation of the engine when the vehicle is stationary
- Maximum operational safety due to the transport position monitoring of the support cylinder
- Developed and tested by the PALFINGER MCC (Mounting Competence Center) in cooperation with the truck manufacturers



- KIT COMPONENTS**
- Traverse (cross beam) including connections to the respective chassis
 - Stabilizer ram
 - Shunting or towing coupling including fastening material
 - Hydraulic hoses for an easy connection to the crane hydraulics (control valve not included)
 - The optional S-IQ kit for an easy integration into the stability and transport position monitoring system
 - Optional available aluminum design front covers (raw - unpainted) including grid for the air intakes

SCANIA NTG



Option	Description	Code	KSZ00448A	KSZ00449A
Stabilizer length	stabilizer + 150 mm (max. stabilizer force 196 kN!)	STÜ04	<input type="radio"/>	<input type="radio"/>
	0 - 173 kN	173KN	<input checked="" type="radio"/>	<input checked="" type="radio"/>
	> 173 - 196 kN (only in combination STÜ04)	196KN	<input type="radio"/>	<input type="radio"/>
Stabilizer force	> 173 - 245 kN (NOT in combination with STÜ04)	245KN	<input type="radio"/>	<input type="radio"/>
	Cover	Aluminium-Front cover (raw)	FADST	<input type="radio"/>
Stabilizer intelligence	Plug & Play connection (obligatory with SH and TEC cranes)	S-IQ	<input type="radio"/>	<input type="radio"/>

MAN TGS & TGX



Option	Description	Code	KSZ00474A
Stabilizer length	stabilizer + 150 mm	STÜ04	<input type="radio"/>
	stabilizer + 75 mm	STÜ11	<input type="radio"/>
Cover	Aluminium-Front cover (raw)	FADST	<input type="radio"/>
Stabilizer intelligence	Plug & Play connection (obligatory with SH and TEC cranes)	S-IQ	<input type="radio"/>

VOLVO FH / FM / FMX (V4)



Option	Description	Code	KSZ00497A	KSZ00479A
Vehicle Type	VOLVO FH	FZTYP017	<input checked="" type="radio"/>	<input checked="" type="radio"/>
	VOLVO FM	FZTYP018	<input type="radio"/>	<input type="radio"/>
	VOLVO FMX	FZTYP019	<input type="radio"/>	<input type="radio"/>
Cover	Aluminium-Front cover (raw)	FADST	<input type="radio"/>	<input type="radio"/>
Stabilizer intelligence	Plug & Play connection (obligatory with SH and TEC cranes)	S-IQ	<input type="radio"/>	<input type="radio"/>

MERCEDES BENZ AROCS | MODEL TYPE 964.XXX



Option	Description	Code	KSZ00498A
Vehicle-Code	Non-AWD	C50-V1	<input checked="" type="radio"/>
	AWD, Non-AWD with F2M+(M2R/M2S), Non-AWD with Z5E+R0V, Non-AWD with Z5F/Z5L	C50-V2	<input type="radio"/>
stabilizer length	stabilizer +75 mm	STÜ11	<input type="radio"/>
Cover	Aluminium-Front cover (raw)	FADST	<input type="radio"/>
Stabilizer intelligence	Plug & Play connection (obligatory with SH and TEC cranes)	S-IQ	<input type="radio"/>

SCANIA P / R / G –SERIE - FRAME 957 OR 958

Option	Description	Code	KSZ00326A	KSZ00327A
Cooler width	cooler width = 1020 mm	1020mm	<input type="radio"/>	<input type="radio"/>
	cooler width = 1140 mm	1140mm	<input type="radio"/>	<input type="radio"/>
Pull straps	pull straps kit with towing load 250kN	KMG06247A	<input type="radio"/>	<input type="radio"/>
	pull straps kit with towing load 250kN	KMG06248A	<input type="radio"/>	<input type="radio"/>
Adaption plate	adaption plate for steel bumper	BZ488	<input type="radio"/>	<input type="radio"/>
Cover	cover for front stabilizer kit for SCANIA with plastic bumper	CCS60000-30	<input type="radio"/>	<input type="radio"/>
	cover for front stabilizer kit for SCANIA with steel bumper	CCS60000-50	<input type="radio"/>	<input type="radio"/>
	cover cap 50mm	CCS60000-6001	<input type="radio"/>	<input type="radio"/>
	cover cap 100mm	CCS60000-6002	<input type="radio"/>	<input type="radio"/>
Stabilizer intelligence	Plug & Play connection (obligatory with SH and TEC cranes)	S-IQ	<input type="radio"/>	<input type="radio"/>

- standard
- optional
- not available

FRONT STABILIZER KITS

TECHNICAL DATA

ATTENTION

The max. support forces relate exclusively to the respective front stabilizer kit!
The maximum permissible supporting forces at the front of the respective chassis must be clarified with the responsible truck organization!



TECHNICAL DATA

Chassis	Kit	Cylinder Variant	Max. dyn. support force [kN]	Total weight* [kg]	Stroke stabilizer ram [mm]	Max. towing load shunting coupling [kN/t]
SCANIA NTG	KSZ00448A	Single stabilizer standard	245	205	300	245 / 25
SCANIA NTG	KSZ00448A +STÜ04	Single stabilizer +150 mm	245	220	450	245 / 25
SCANIA NTG	KSZ00449A	Double stabilizer standard	245	225	300	245 / 25
SCANIA NTG	KSZ00449A +STÜ04	Double stabilizer +150 mm	245	245	450	245 / 25
FM/FH/FMX (V4)	KSZ00497A	Single stabilizer	196	155	450	245 / 25
FM/FH (V4)	KSZ00479A	Double stabilizer	196	158	450	245 / 25
TGS and TGX	KSZ00474A	Single stabilizer standard	147	116	300	245 / 25
TGS and TGX	KSZ00474A +STÜ11	Single stabilizer + 75 mm	147	122	375	245 / 25
TGS and TGX	KSZ00474A +STÜ04	Single stabilizer +150 mm	147	127	450	245 / 25
Arocs Model type 964.xxx	KSZ00498A	Single stabilizer	147	195	375	220 / 22,4
Arocs Model type 964.xxx	KSZ00498A +STÜ11	Single stabilizer + 75 mm	147	200	450	220 / 22,4
SCANIA G / P / R	KSZ00326A	Single stabilizer standard	196	180	450	245 / 25
SCANIA G / P / R	KSZ00327A	Single stabilizer standard	196	180	450	245 / 25

* without cover, incl. S-IQ

STABILIZER PADS AND TRANSPORT BOXES

IDEAL SUBSTRUCTION FOR YOUR CRANE

- Ideal for various ground surfaces
- Easy and fast handling due to the carrying straps as well as the fastening possibilities on the truck
- Maximum safety for all supporting forces tested by PALFINGER
- Even at low temperatures - no risk of breakage
- Suitable transport boxes available for all sizes
- Fast and safe locking of the stabilizer pads via the retrofit set QuickLock



STABILIZER PADS

Description	Code	L x B x H [mm]	Weight [kg]	Supporting force [t]
ROUND	EZ2261-400	Ø 400 x 80	5	12
	EZ2261-500	Ø 500 x 80	7	16
SQUARE	EZ2189-300	300 x 300 x 40	3,5	13
	EZ2189-400	400 x 400 x 50	8	19
	EZ2189-500	500 x 500 x 60	15	31
	EZ2189-600	600 x 600 x 60	21	41
	EZ2189-800	800 x 800 x 60	38	50

TRANSPORT BOXES

Description	Code	L x B x H [mm]	Weight [kg]	Locking System QuickLock*
bracket for round stabilizer pads uncoated	EZ2262-400	410x410x77,5	5	--
	EZ2262-500	510x510x70,5	7	--
bracket for round stabilizer pads KTL coated	EZ2263-400	410x410x77,5	5	--
	EZ2263-500	510x510x70,5	7	--
bracket for 1 square pad galvanized	EZ2236-300	354x319x94	4	--
	EZ2236-400	439x414x99	6	--
	EZ2236-500	544x514x109	7	EFA 439
	EZ2236-600	654x614x109	9	EFA 439
bracket for 2 square pads galvanized	EZ2236-800	854x814x109	12	EFA 439
	EZ2190-300	354x319x134	4	--
	EZ2190-400	439x414x154	6	--
	EZ2190-500	544x514x174	8	EFA 440
	EZ2190-600	654x614x174	10	EFA 440
	EZ2190-800	854x814x174	15	EFA 440

* only useable when box is mounted vertically

MOUNTING KIT FOR 3.5T TRUCK

- Complete screwable kit for easy mounting on the truck
- Including all hydraulic and electric components
- No welding work required
- No complex adjustments
- Reduction in mounting time from 30% up to 50%
- Standard platform of the vehicle manufacturer is useable
- Higher payload because an additional sub frame is no longer needed
- All components are proved by PALFINGER and therefore perfectly fit to the demand of the crane



TECHNICAL SPECIFICATIONS

Depending on the crane vehicle combination
Following components are included in the mounting kit

- Frame brackets
- Stabilizer system (conform EN12999)
 - PC 1500 - outrigger one side (R) + 1 stabilizer cylinder
 - PC 2700 - outrigger both sides (R2) + 2 short rigid stabilizer cylinders
- Screws for fixing to the vehicle frame
- Templates or detailed information for for an easy remove of the area at the platform where the crane will be mounted
- Cover for the platform floor around the crane column
- Complete wiring harness with all necessary switches, plugs and fuses
- Oil tank and all necessary hydraulic hoses
- Detailed set-up instructions with complete photo-documentation

YOU NEED

- Carrier vehicle with standard platform
- Crane
- Mounting kit
- approx. 20 h assembly time

AVAILABLE FOR:

- IVECO New DAILY
- VW T6
- MERCEDES SPRINTER
- RENAULT MASTER
- FIAT DUCATO Multijet 2
- MAN TGE
- VW Crafter

BEST PRICE PROOF 3,5T MOUNTING KIT + PC CRANE

On the example PC 2700B, BS013 R2 and powered by powerpack

Conventional assembly	EUR	Assembly with mounting kit	EUR
Crane PC 2700 B, ISC-S, EKAT, VPACK		Crane PC 2700 B, ISC-S, EKAT, VPACK	
Support BS013, STZS3, ISC-S		Mounting kit variant with powerpack	
4 kW powerpack EP 1983C		20 h mounting x hourly rate [€/h]	
6 m cable kit powerpack EEA9836A			
Mounting plates, stiffing plates etc.			
Small materials, screws, washers, etc.			
8h project engineering (planning, calculating, logistics, etc.) x hourly rate [€/h]			
40h buildup (demount platform, weld subframe, mounting crane and stabilizer, total electric and hydraulic, etc.) x hourly rate [€/h]			
Total		Total	

DRIVE VARIANTS

- **Gear pump for mounting at the PTO**
 - Only for Mercedes Sprinter, Renault Master, Iveco New Daily, MAN TGE and VW Crafter
 - For continuous operation
 - For rope winch application
- **Gear pump with electromagnetic clutch and oil tank**
 - Only for FIAT Ducato including air conditioning
 - For continuous operation
 - For rope winch application
- **Hydraulic power pack**
 - Suitable for all vehicles
 - Limited operating time
 - (Attention > consider Product Information 03-2016)
 - Winch operation not possible!

100% compatibility can not be guaranteed!
Adaptations may be necessary.



The following vehicles based on the same chassis:
FIAT Ducato Multijet > PEUGEOT Boxer / CITROEN Jumper / CHRYSLER RAM ProMaster
RENAULT Master > OPEL Movano / NISSAN NV400

MAN TGE & VW Crafter*	PC 1500		PC 2700			
	Manuell	RRC	Manuell	RRC		
Crane left or right (In driving direction)	Front mounted	Pump on PTO Powerpack	CCX061011111 CCX061041111	CCX061011121 CCX061041121	CCX061012113 CCX061042113	CCX061012123 CCX061042123
IVECO NEW DAILY (2017 model)						
Crane left or right (In driving direction)	Front mounted	Pump on PTO Powerpack	CCX041011111 CCX041041111	CCX041011121 CCX041041121	CCX041012113 CCX041042113	CCX041012123 CCX041042123
VW T6 **						
Crane left or right (In driving direction)	Rear mounted Front mounted	Powerpack Powerpack	CCX051041211 CCX051041111	- -	- -	- -
MERCEDES SPRINTER (OM651 DE 22LA – 316 R2; 316 R3; 516 R2; 516 R3)						
Crane left (In driving direction)	Front mounted	Pump on PTO Powerpack	CCX021011411 CCX021041411	CCX021011421 CCX021041421	CCX021012413 CCX021042413	CCX021012423 CCX021042423
Crane right (In driving direction)	Front mounted	Pump on PTO Powerpack	CCX021011311 CCX021041311	CCX021011321 CCX021041321	CCX021012313 CCX021042313	CCX021012323 CCX021042323
RENAULT MASTER (150.35 - Flatbed 40 L3 - M9T - 107kW)						
Crane left (In driving direction)	Front mounted	Pump on PTO Powerpack	CCX031011411 CCX031041411	- -	CCX031012413 CCX031042413	- -
Crane right (In driving direction)	Front mounted	Pump on PTO Powerpack	CCX031011311 CCX031041311	CCX031011321 CCX031041321	CCX031012313 CCX031042313	CCX031012323 CCX031042323
FIAT DUCATO *** (130 Multijet 2)						
Crane left (In driving direction)	Front mounted	Electromagnetic clutch Powerpack	CCX011051411 CCX011041411	CCX011051421 CCX011041421	CCX011052413 CCX011042413	CCX011052423 CCX011042423
Crane right (In driving direction)	Front mounted	Electromagnetic clutch Powerpack	CCX011051311 CCX011041311	CCX011051321 CCX011041321	CCX011052313 CCX011042313	CCX011052323 CCX011042323
FIAT DUCATO *** (150 Multijet 2)						
Crane left (In driving direction)	Front mounted	Electromagnetic clutch Powerpack	CCX011021411 CCX011041411	CCX011021421 CCX011041421	CCX011022413 CCX011042413	CCX011022423 CCX011042423
Crane right (In driving direction)	Front mounted	Electromagnetic clutch Powerpack	CCX011021311 CCX011041311	CCX011021321 CCX011041321	CCX011022313 CCX011042313	CCX011022323 CCX011042323
FIAT DUCATO *** (180 Multijet 2)						
Crane left (In driving direction)	Front mounted	Electromagnetic clutch Powerpack	CCX011061411 CCX011041411	CCX011061421 CCX011041421	CCX011062413 CCX011042413	CCX011062423 CCX011042423
Crane right (In driving direction)	Front mounted	Electromagnetic clutch Powerpack	CCX011061311 CCX011041311	CCX011061321 CCX011041321	CCX011062313 CCX011042313	CCX011062323 CCX011042323

* Due to the same model of the vehicles, the order codes of the variants are equal. ** Minor adaptations possible at the factory flat bed.
*** For the "Electromagnetic clutch" drive variant, an air conditioning system for the carrier vehicle is obligatory.

STABILIZERS PC-CRANE

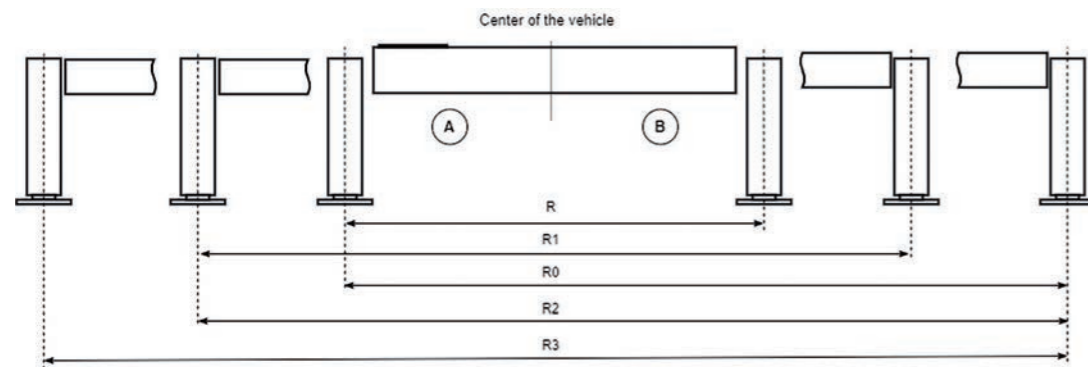
CONFIGURATION POSSIBILITIES AND DIMENSIONS

- All support frames delivered in the EU must comply with EN12999:2010.
- Cranes with load distribution less than 1000 kg or less than 40 kNm lifting torque (PC1500) do not need to be monitored for stability
- For non-EU countries the versions without CE conformity are still available and permissible

- Standard
- Optional
- Not available
- * tiltable outrigger
- ** ex works base coated
- *** only in combination with STZS5



OPTIONS	DESCRIPTION	CODE	BS008 PC1500		BS008 PC2700		BS010		BS013		BS014	
			CE	Non-CE	CE	Non-CE	CE	Non-CE	CE	Non-CE	CE	Non-CE
Stability monitoring	Step-by-step stability monitoring	ISC-S	●	○	●	○	●	○	●	○	●	○
Outrigger box	Manually extendable outrigger on one side	RO	●*	●*	●*	●*	●	●	--	--	●	●
	Manually extendable outrigger on both sides	R...	--	--	--	--	○	○	○	○	--	--
Cylinder Variant	Stabilizer ram rigid, mounting above vehicle frame	STZS5	○	○	○	○	○	○	○	○	○	○
	Stabilizer ram 60° manually tiltable	STZY5	--	--	--	--	○	○	○	○	○	○
Long version of stabilizer ram	100 mm extension (only in combination with STZS5)	STÜ06	--	--	--	--	○	○	--	--	--	--
	200 mm extension	STÜ07	○	○	○	○	○***	○***	○	○	○	○
Electric	Transport monitoring system outriggers	AUSVW	●	●	●	●	●	○	●	○	●	○
Others	RAL 3020	STD	●**	●**	●**	●**	●	●	●	●	●	●
Mounting bolts	Mounting bolts for easy connection to the vehicle	BRI	--	--	--	--	○	○	○	○	○	○



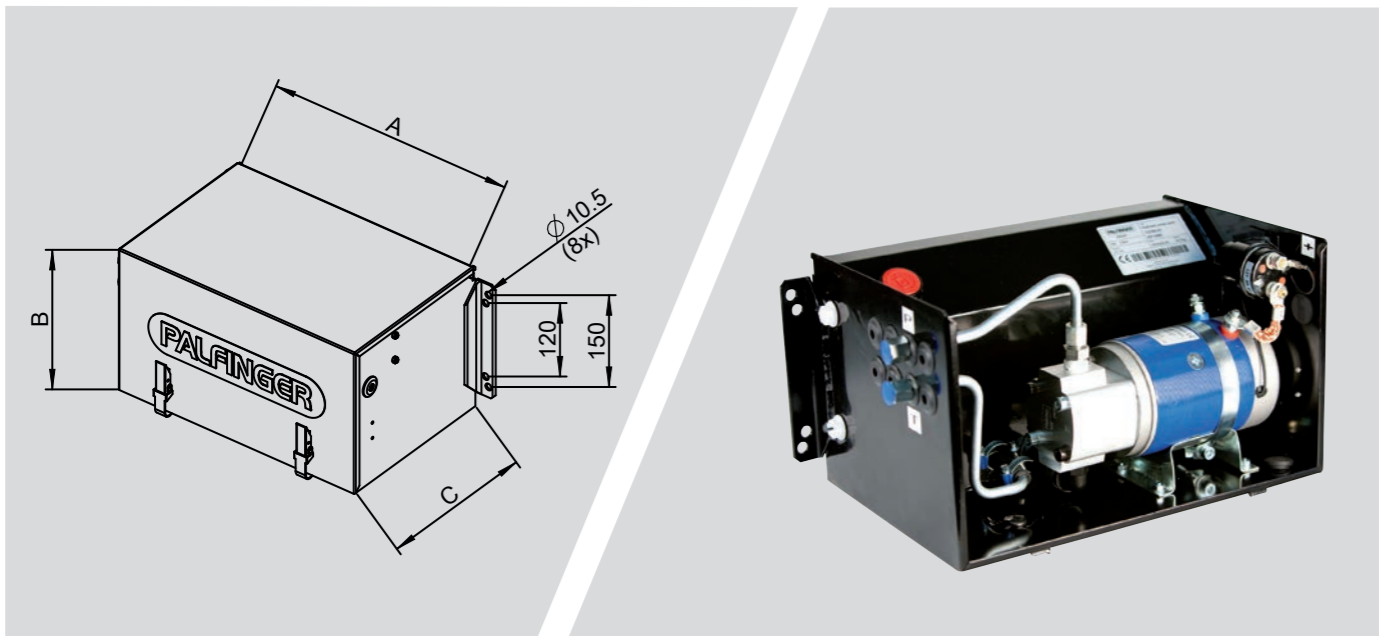
Stabilizer	Crane Type	Cylinder Variant	Weight [kg]					F _{max} A / B [kN]					Dimensions [mm]					
			R	R0	R1	R2	R3	R	R0	R1	R2	R3	R	R0	R1	R2	R3	
BS008	PC 2700	STZS5	78					31,2/-										
	PC 1500	STZS5 (STU07)	82					15,9/-										
BS010	PC 3800	STZS5	132	161	191				55,4/41	23,8/40,8	23,5/17,8			1688	2952	4216		
		STZS5 (STU07)	144	174	203													
		STZY5	135	165	194													
BS013	PC 2700 (STZS5)	STZS5	115	130	135	145		38,6/30		24,4/19	17,1/18,7	17/13,2		1726		2726	3326	3926
	PC 1500 (STZS5)	STZS5 (STU07)	120	135	140	150												
		STZY5	120	135	140	150		21,2/14,3		13,4/9,1	9,5/8,8	9,3/7,2						
BS014	PC 2700	STZS5	115						9,4/12,9					1726	2826			
	PC 1500	STZS5 (STU07)	120															
		STZY5	125															
		STZY5 (STU6)	130						16,7/27,6									

POWERPACKS FOR PC-CRANES

A SUITABLE AGGREGATE FOR EACH PC – CRANE MODEL

PALFINGER generally recommend to use a pump on PTO to drive a PC-Crane

- Creates hydraulic power without a PTO or EMC on the vehicle
- Simple and convenient "Plug & Play" mounting
- Splash-proof and dust-proof thanks to compact design (IP54)
- A suitable cable kit is available for each powerpack
- Operating time > 25 min



POWERPACKS FOR PC-CRANES

Code	on-board voltage [V]	Power [kW]	PC 1500	PC 2700	PC 3800	Oil flow [l/min]		Tank volume [l]
						100 bar	200 bar	
EP1980C	12	1,5	•	○	--	6,3	4,6	6
EP1981B	24	1,5	•	○	--	6,5	5	6
EP1983C	12	4	--	•	○	9	6,5	9
EP1984C	24	4,5	--	•	○	9,6	7,3	9

Maximum system pressure 210 bar

- ... Suitable
- ... Suitable, but reduced operating speed



DIMENSIONS

Code	Length A [mm]	Height B [mm]	Depth C [mm]	Weight [kg]
EP1980C	400	231	280	18,7
EP1981B	400	231	280	18,7
EP1983C	445	235	335	24,5
EP1984C	445	235	335	24,5

CABLE KIT

Code	Description	Suitable for
EEA9835A	Cable kit 6 m - 35 mm ²	EP1981B
EEA9847A	Cable kit 6 m - 50 mm ²	*
EEA9836A	Cable kit 6 m - 70 mm ²	EP1980C / EP1984C *
EEA9848A	Cable kit 6 m - 95 mm ²	EP1983C *

* If the cable kit is shortened to 4 m, the next smaller cable cross section can be used

ATTENTION

- The unit is not suitable for continuous operation
- Observe the vehicle specifications. The electrical system must not be overloaded
- Use the strongest available alternator and battery - second battery is recommended
- Operation of the unit only with the engine running
- Winch operation is not possible

PALFINGER CUSTOMIZED SUBFRAMES

Individual PALFINGER subframes adapted to any crane-truck combination to get the most out of stiffness and weight for optimal crane performance and vehicle stability. All frames are made of high-quality fine-grained steel and can be installed quick and easy.



For further information please contact your responsible Area Sales Manager or send an inquiry to request-mcc@palfinger.com

SEMI-OPEN SUBFRAMES WITHOUT ADDITIONAL STABILIZERS



- For rear mounted cranes < 30 mt
- Lightweight design
- Warp-resistant features below the crane - warp-soft features below the platform

CLOSED SUBFRAMES WITHOUT ADDITIONAL STABILIZERS



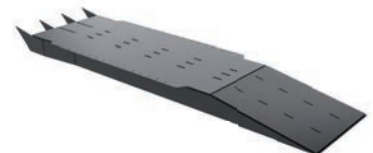
- For cranes < 30 mt
- Warp-resistant design

CLOSED SUBFRAMES WITH ADDITIONAL STABILIZERS



- For cranes > 30 mt
- Warp-resistant design
- Preparation for PALFINGER additional stabilizers
- Integrated container locks optional

CLOSED SUBFRAMES FOR INTEGRAL CRANE BASE



- For cranes > 60 mt
- Warp-resistant design
- Optional with preparation for fifth wheel installation

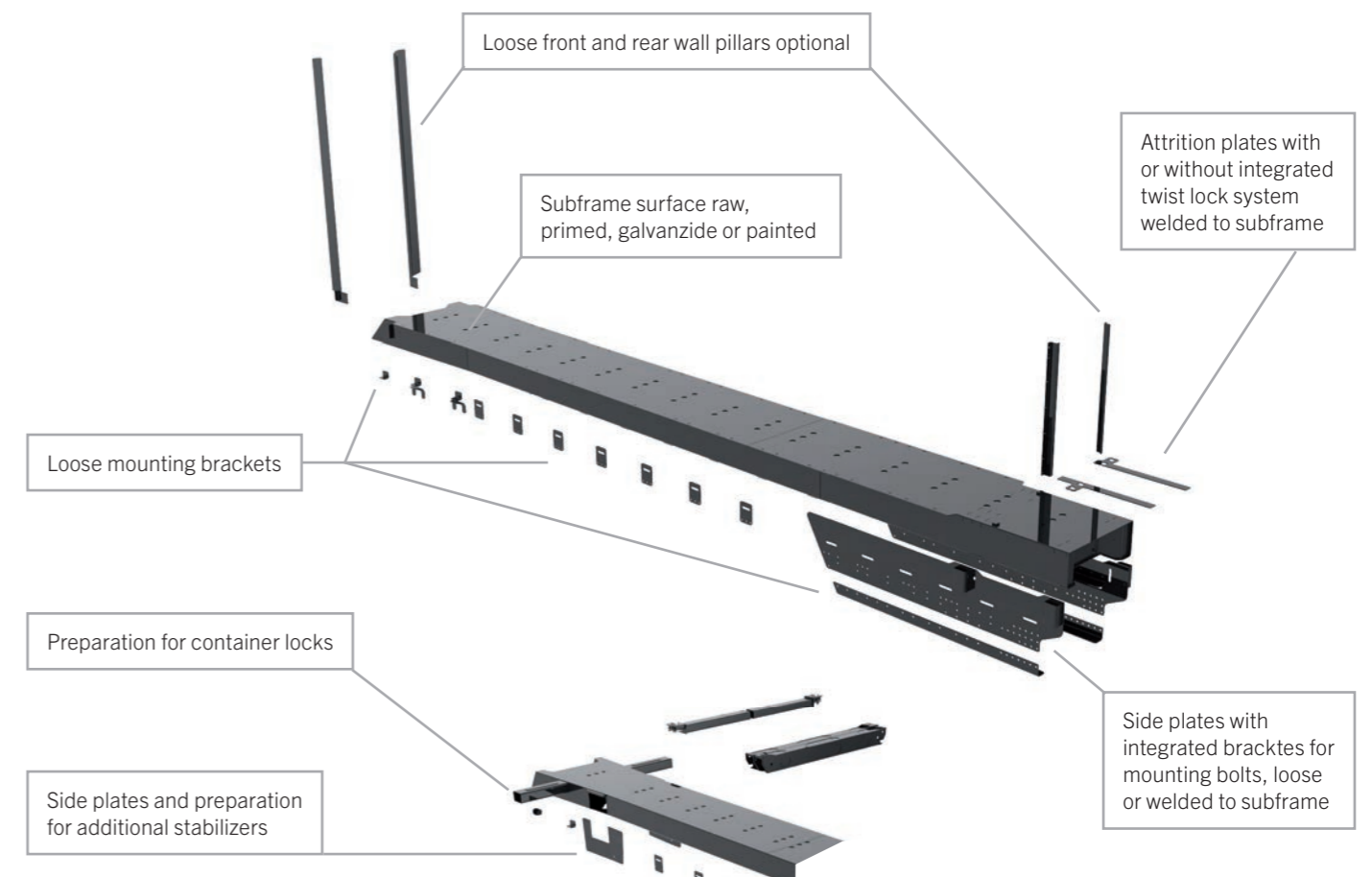
SUBFRAME SPECIFICATION

Customized subframes can be ordered from the PALFINGER Mounting Competence Center by specification of the following parameters:

- Truck FIN- or order-number
- Vehicle specification and drawings
- Crane model
- Position of the crane
- Additional stabilizers model
- Position of the additional stabilizers
- Special equipment (e.g. container locks, fifth wheel, trailer coupling,...)

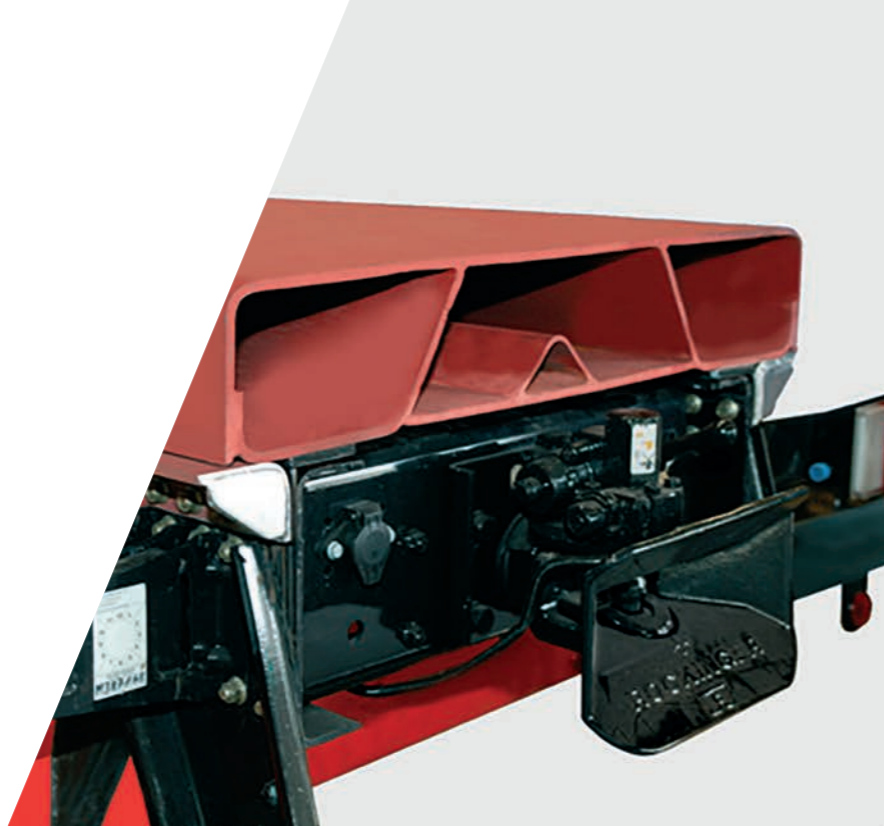


SUBFRAME OPTIONS



PALFINGER STANDARD SUBFRAMES

- Improved installation quality by using prefabricated modules
- All frames are supplied prime coated for transport
- Manufactured from fine-grained steel S690
- Ideally combined with the PALFINGER L-form side plates and the PALFINGER brackets



PALFINGER CUSTOMIZED PLATFORMS

- Customized top mounted platform for self-assembly
- Numerous options of platform design and load securing for the transportation of any goods
- Low loading height due to adapted cutouts for mudguards

Customized platforms can be ordered from the PALFINGER Mounting Competence Center. Please contact your responsible Area Sales Manager or send an inquiry to request-mcc@palfinger.com



PALFINGER SUBFRAME MODULES

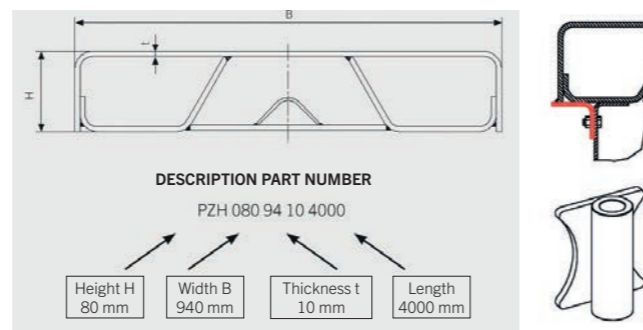
Code	Height [mm]	Length [mm]	Weight [kg]
PZH0809410+4000	80	4000	684
PZH0809410+6000	80	6000	1026
PZH0809412+4000	80	4000	808
PZH0808510+4000	80	4000	624
PZH0808510+6000	80	6000	936
PZH0808512+4000	80	4000	740
PZH1209410+4000	120	4000	808
PZH1209410+6000	120	6000	1212
PZH1209412+4000	120	4000	956
PZH1208510+4000	120	4000	716
PZH1208510+6000	120	6000	1074
PZH1208512+4000	120	4000	852
PZH1609410+4000	160	4000	868
PZH1609410+6000	160	6000	1302
PZH1609412+4000	160	4000	1024
PZH1608510+4000	160	4000	808
PZH1608510+6000	160	6000	1215
PZH1608512+4000	160	4000	952
PZH1608512+6000	160	6000	1428
PZH2009410+4000	200	4000	924
PZH2009410+6000	200	6000	1386
PZH2008510+4000	200	4000	864
PZH2008510+6000	200	6000	1296
PZH2509410+4000	250	4000	996
PZH2509410+6000	250	6000	1494
PZH2508510+4000	250	4000	936
PZH2508510+6000	250	6000	1404

ADVANTAGES

- Weight optimized
- Reduced installation costs
- Low construction height
- High torsional rigidity

PALFINGER FRAME ACCESSORIES

Component	Code	Weight [kg]
Side plate length 4000 mm	HA8063	56
Bracket M20	HXE4534	1,1
Bracket M24	HXE3144	2
Bracket M30	HXE3145	2,3
Bracket M36	HXE9084	4,2
Bracket M42	HXE2527	7,8
Bracket M48	HXE4514	15,8



TECHNICAL DATA

- Platform for installation on the subframe
- Border profile made of steel, 160mm high, campfered 45° with lashing holes every 280mm, sandplasted, primed and painted
- Platform floor made of 27mm plywood panels, impregnated and sealed
- 3 side walls per side, made of 25mm aluminium anodized, foldable and removable
- Front wall steel frame primed and painted, covered with 25mm aluminium anodized profiles
- Rear wall made of 25mm aluminium anodized, foldable and removable with 2 rear wall racks for horizontal rest
- Kinnegrip wall locks

OPTIONS

- Platform length 6200mm, 6600mm or 7000mm
- Platform width 2550mm or 2600mm
- 3, 5 or 7 lashing ladders in platform floor
- Platform floor made of aluminium natural
- Multifunctional front wall with pole stowage
- Multifunctional front wall with manual extensions
- Side wall height 600mm or 800mm
- Kinnegrip wall locks K20 or K5, microgalvanized and painted or aluminium anodized
- 2 or 4 foldable steps in side walls
- Additional door in side walls
- Forklift side-protection
- Cutouts for the attachment of mudguards
- Holder for mudguards

Other lengths up to 8000 mm are available on request.

MOUNTING BOLTS

- Delivered before the crane to accelerate the overall mounting process.
- Examined and tested by PALFINGER
- Ideally compatible with PALFINGER crane models
- The best possible introduction of the force into the sub- and vehicle frame
- High-strength steel
- For the best possible mounting of the crane on the vehicle

Attention: In order to avoid double delivery with the separate ordering of the mounting bolts, BRI must NOT be selected in the crane configuration.

PK-MODELS

Crane model	BRI-4	BRI-4B	BRI-8	BRI-8B
PK 9002 EH				
PK 10002 SH				
PK 12002 EH				
PK 12502 SH				
PK 14002 EH	UZ144S	UZ346S	UZ140S	UZ345S
PK 14502 SH				
PK 18002 EH				
PK 18502 SH				
PK 22002 EH				
PK 23002 SH				
PK 26002 EH	UZ017S	UZ343S	UZ018S	UZ344S
PK 27002 SH				
PK 27001 EH				
PK 33002 EH				
PK 34002 SH				
PK 40002 EH	KVZ00059AS	KVZ00063AS	KVZ00057AS	KVZ00058AS
PK 41002 MH	UZ362S	UZ363S	UZ360S	UZ361S
PK 41002 EH				
PK 42002 SH	KVZ00059AS	KVZ00063AS	KVZ00057AS	KVZ00058AS
PK 48002 MH	UZ362S	UZ363S	UZ360S	UZ361S
PK 48002 EH				
PK 50002 EH	KVZ00059AS	KVZ00063AS	KVZ00057AS	KVZ00058AS
PK 53002 SH				
PK 62002 EH				
PK 63002 EH				
PK 65002 MH				
PK 65002 SH	UZ362S	UZ363S	UZ360S	UZ361S
PK 76002 EH				
PK 78002 SH				
PK 92002 SH				
Crane model	BRI-6		BRI-6B	
PK 110002 SH	UZ364S	UZ365S		

Crane model	BRI-3	BRI-3B	BRI-6	BRI-6B
PK 5.001 SLD 1/3				
PK 5.501 SLD 5				
PK 7.001 SLD 1/3	UZ011S	UZ347S	UZ165S	UZ348S
PK 7.001 K SLD 3				
PK 7.501 SLD 5				
PK 7.501 K SLD 5				
Crane model	BRI-4	BRI-4B	BRI-8	BRI-8B
PK 8.501 SLD 1/3				
PK 9.501 SLD 5				
PK 11.001 SLD 1/3				
PK 12.001 SLD 3				
PK 12.501 SLD 5				
PK 13.501 SLD 1/3	UZ144S	UZ346S	UZ140S	UZ345S
PK 13.501 K SLD 3				
PK 14.501 SLD 5				
PK 14.501 K SLD 5				
PK 17.001 SLD 1/3				
PK 19.001 SLD 5				
PK 21.501 SLD 1/3				
PK 24.001 SLD 5	UZ017S	UZ343S	UZ018S	UZ344S
PK 28.002 TEC 5	KVZ00080AS	KVZ00082AS	KVZ00081AS	KVZ00083AS
PK 28.502 TEC 5	KVZ00084AS	KVZ00086AS	KVZ00085AS	KVZ00087AS
PK 29.502 TEC 7	KVZ00080AS	KVZ00082AS	KVZ00081AS	KVZ00083AS
PK 30.002 TEC 7	KVZ00084AS	KVZ00086AS	KVZ00085AS	KVZ00087AS
PK 35.002 TEC 5	KVZ00080AS	KVZ00082AS	KVZ00081AS	KVZ00083AS
PK 35.502 TEC 5	KVZ00084AS	KVZ00086AS	KVZ00085AS	KVZ00087AS
PK 36.502 TEC 7	KVZ00080AS	KVZ00082AS	KVZ00081AS	KVZ00083AS
PK 37.002 TEC 7	KVZ00084AS	KVZ00086AS	KVZ00085AS	KVZ00087AS
PK 45.002 TEC 5				
PK 48.002 TEC 7				
PK 55.002 TEC 5	KVZ00072AS	KVZ00073AS	KVZ00070AS	KVZ00071AS
PK 58.002 TEC 7				
Crane model	BRI-6		BRI-6B	
PK 135.002 TEC 7	KVZ00074A	KVZ00075A		

L & EL-MODELS

Crane model	BRI-4	BRI-4B	BRI-8	BRI-8B
PK 12001 L	--	--	UZ366	UZ367
PK 15001 L				
PK 25001 EL	UZ290S	UZ341S	UZ266	UZ351S
PK 27001 EL			UZ148S	--
PK 35001 EL				
PK 40001 EL	UZ138S	UZ353S	--	--

Crane model	BRI-4	BRI-4B	BRI-8	BRI-8B
PK 18.001 L TEC 3	UZ144S	UZ346S	UZ366	UZ367
PK 20.501 L TEC 3				
PK 22.001 L TEC 7				
PK 23.001 L TEC 3	UZ373S	UZ346S	UZ366	UZ367
PK 26.001 L TEC 7				

T - MODELS

Crane model	BRI-4	BRI-4B	BRI-8	BRI-8B
PK 13500T				
PK 15500T EH				
PK 17500T	UZ144S	UZ346S	UZ140S	UZ345S
PK 19500T EH				

PW - MODELS

Crane model	BRI-4	BRI-4B	BRI-8	BRI-8B
PW 32001				
PW 35001 SH				
PW 38001	UZ373S	UZ374S	UZ371S	UZ372S
PW 38001EL				
PW 42001 SH				
PW 50001 SH				

ADDITIONAL STABILIZERS PC-CRANE

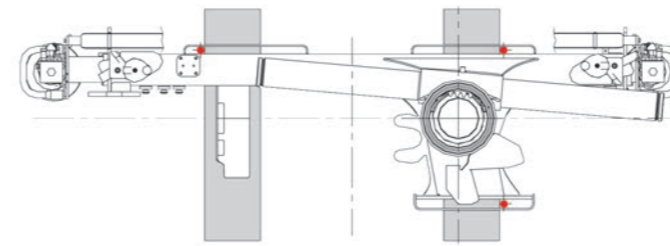
Stabilizers	BRI-6	BRI-6B	BRI-8B	BRI-8
BS009	UZ325	UZ352	--	--
BS010	--	--	UZ357	UZ356
BS013	--	--	UZ357	UZ356
BS014	UZ325	UZ352	--	--

PC-CRANES

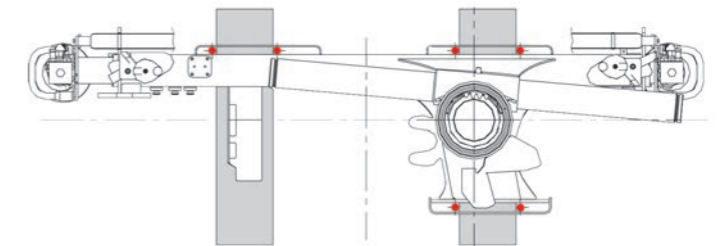
Crane model	BRI-4	BRI-4B	BRI-8	BRI-8B
PC 900	--	--	--	--
PC 1500				
PC 2700	KMG02436A	--	--	--
PC 3800				

BRI-3 ... 8 ... Number of mounting positions
 BRI-3B ... 8B ... Number of mounting positions, mounting bolts coated
 -- ... no kit available

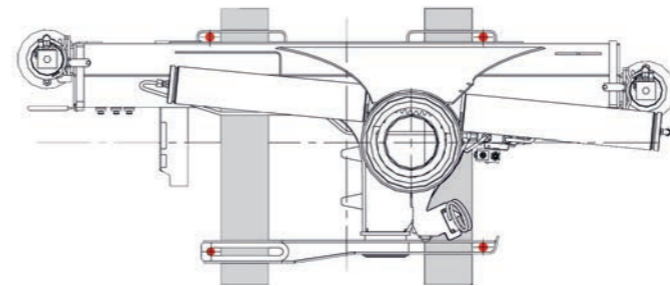
BRI-3 / BRI-3B



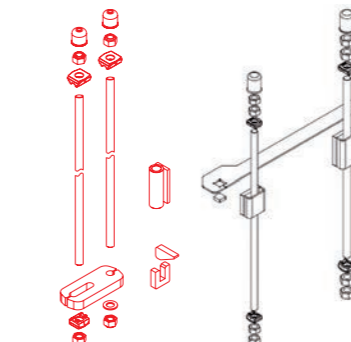
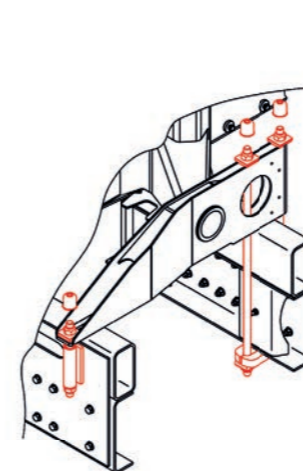
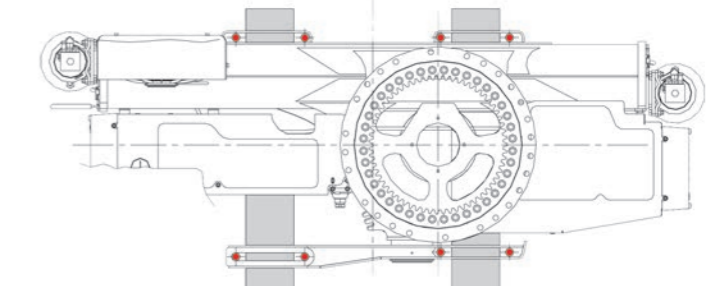
BRI-6 / BRI-6B



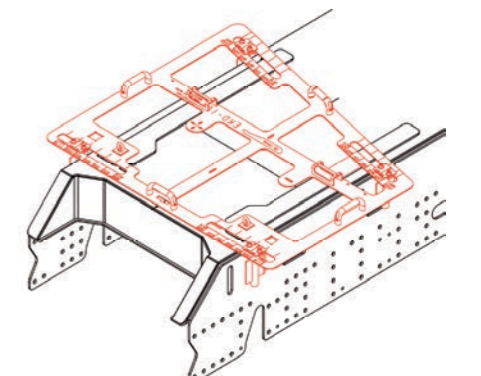
BRI-4 / BRI-4B



BRI-8 / BRI-8B



All kits contain the required bolts, nuts, washers, twist locks, brackets and protective caps
 The components of the twist lock differ according to the conventional and the new TEC-crane anti twist lock!



The assembly devices EKD 161 and EKD 165 for the new TEC-crane twist lock can be ordered via the PALFINGER Tools Catalog.

TOOLBOXES PRO STAINLESS STEEL / STEEL / PLASTIC

- ECE certified R73
- Highest product quality and comfort
- High-quality optics
- Optimal corrosion protection
- Available in stainless steel, steel and plastic
- Variety of available dimensions
- Easy mounting by optional brackets



TOOLBOX PRO - STAINLESS STEEL

Code	Length A [mm]	Height B [mm]	Depth C [mm]	Weight [kg]	Locks	Bracket
EZ7001	600	400	500	22,0	1	EZ6998
EZ7002	800	500	500	30,5	1	EZ6998
EZ7003	1000	500	500	36,0	1	EZ6998
EZ7004	1200	500	500	42,0	2	EZ6998
EZ7006	800	600	600	37,7	1	EZ6999
EZ7007	1000	600	600	44,2	1	EZ6999
EZ7008	1200	600	600	51,0	2	EZ6999

TOOLBOX PRO - STEEL*

Code	Length A [mm]	Height B [mm]	Depth C [mm]	Weight [kg]	Locks	Bracket
EZ6981	600	400	500	22,0	1	EZ6996
EZ6982	800	500	500	30,5	2	EZ6996
EZ6983	1000	500	500	36,0	2	EZ6996
EZ6984	1200	500	500	42,0	2	EZ6996
EZ6986	800	600	600	37,7	2	EZ6997
EZ6987	1000	600	600	44,2	2	EZ6997
EZ6988	1200	600	600	51,0	2	EZ6997

TOOLBOX PRO - PLASTIC

Code	Length A [mm]	Height B [mm]	Depth C [mm]	Weight [kg]	Locks	Bracket
EZ7288	480	400	400	5,0	1	EZ7442
EZ7289	630	450	480	8,0	2	EZ7443
EZ7290	680	500	500	6,5	2	--
EZ7291	830	500	470	10,5	2	EZ7443
EZ7292	1030	500	455	13,0	3	EZ7443
EZ7293	1250	524	500	15,5	3	EZ7443

PLASTIC FIRE EXTINGUISHER BOX - PLASTIC

Code	Length A [mm]	Height B [mm]	Depth C [mm]	Weight [kg]	Extinguisher [kg]
EZ7444	611	310	250	3,5	6

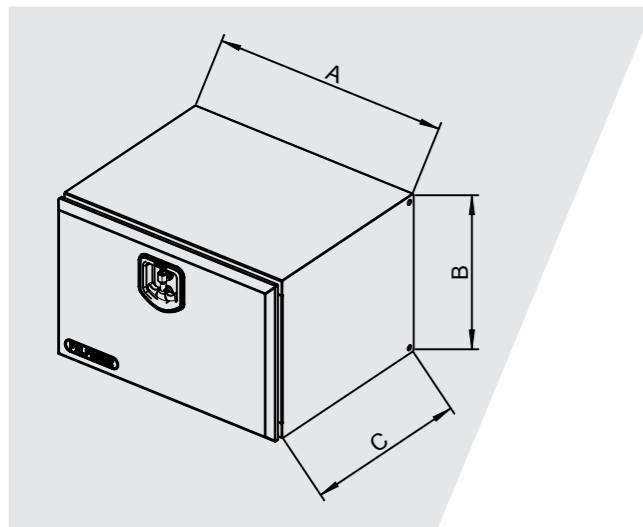
Fire extinguisher not included

TOOLBOX PRO - BRACKETS

Code	Material	Strength [mm]	Length [mm]	Height [mm]	Weight [kg]
EZ6999	stainless steel	2,5	520	205,0	4,2
EZ6998	stainless steel	2,5	420	160,0	2,8
EZ6997	steel*	4	520	205	6,5
EZ6996	steel*	3	420	160	3,5
EZ7442	steel*	2	340	150	3,0
EZ7443	steel*	3	410	190	4,6

* powder coated (RAL9005)

CERTIFIED AS SIDE UNDERRIDE PROTECTION! ECE CERTIFIED – R 73



Stainless steel – cover polished
Lock: stainless steel



Steel galvanized and powder coated Black RAL 9005
Lock: plastic

Polypropylene
Lock: Plastics



TECHNICAL DETAILS

Stainless steel / Steel

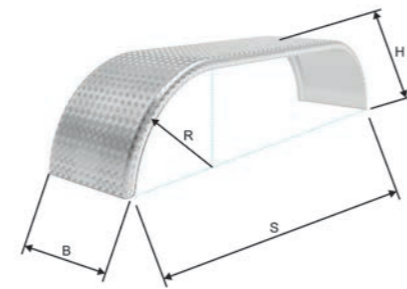
- Certified as side protection ECE-R73
- Gas pressure absorber
- High quality anti-slip plastic
- Lockable (2 keys)
- Splash proofed
- Lid opening downwards - max. 90 °
- sheet thickness 1,5mm

Plastic

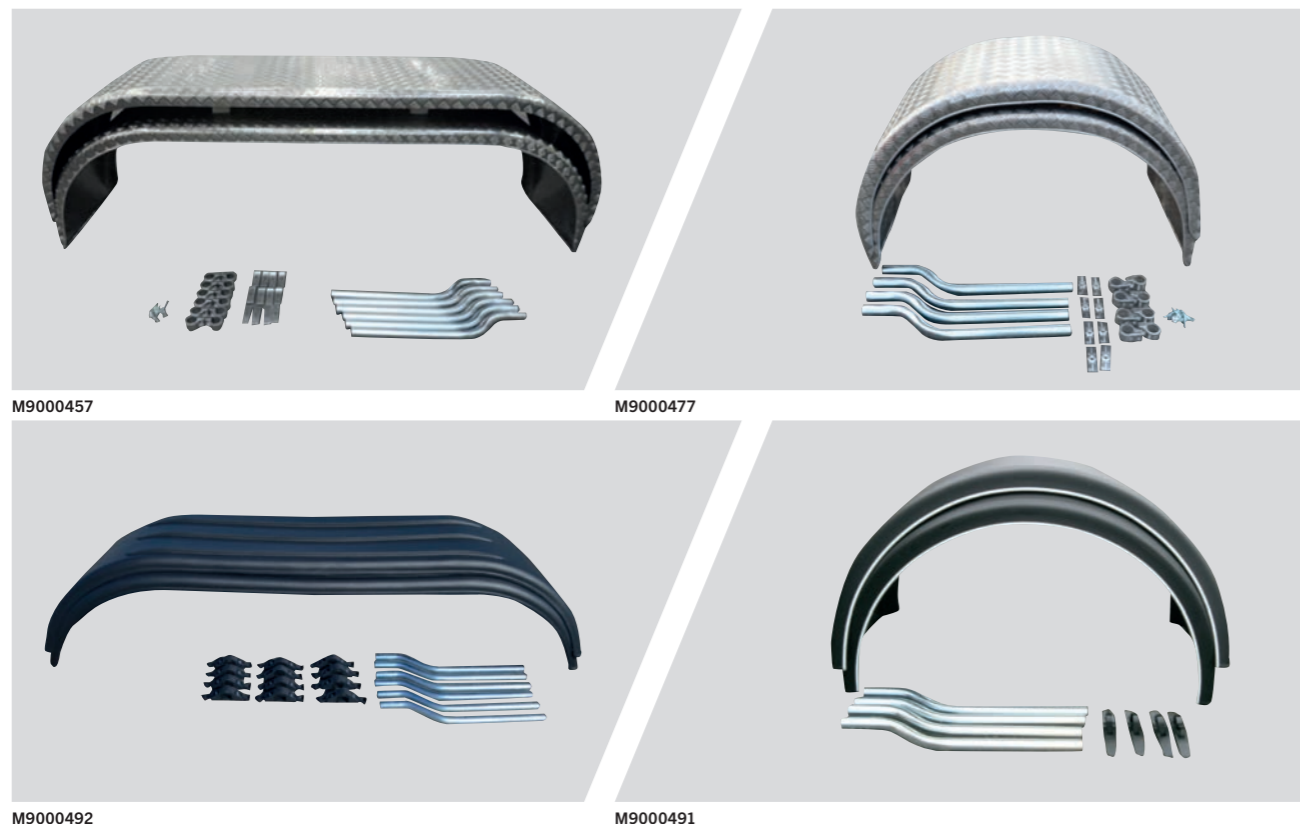
- Certified as side protection ECE-R73
- Extremely robust (shock resistant)
- Highest material quality
- High UV resistance
- Lockable (2 keys)

MUDGUARDS

No complicated searching and browsing in various catalogues.
With the PALFINGER mudguard kit you receive all required components uncomplicated - with only one number!



KIT



Kit	Code	Width [mm]	Length [mm]
Kit 2 axles aluminium mudguards	M9000457	650	2700
Kit 1 axle aluminium mudguards	M9000477	650	1280
Kit 2 axles plastic mudguards	M9000492	650	2700
Kit 1 axle plastic mudguards	M9000491	650	1280

SINGLE PARTS



All kit components can of course also be ordered separately.

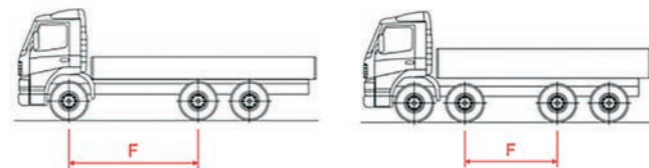
Component	Code	Width B [mm]	Length S [mm]	Radius R [mm]	Height H [mm]
2 axle aluminum mudguard	M62010621	650	2700	650	680
1 axle aluminum mudguard	M62010622	650	1300	650	680
2 axle plastic mudguard	M62010736	650	2670	635	620
1 axle plastic mudguard	M62010179	650	1340	670	715
Tube mounting kit for aluminum mudguard	M9000501	Ø42	760	--	--
Tube mounting kit for plastic mudguard	M9000502	Ø42	760	--	--
Bracket for mounting tube	EFA 307	--	--	--	--
Aluminum separation 2 axles (for wheel base 1350-1450mm)	M9000755	--	1250	--	620
PALFINGER mudflap 600x900mm	EFA 206	--	600	--	900
PALFINGER mudflap 600x700mm	EFA 207	--	600	--	700

LATERAL PROTECTION DEVICES

- All required items can be order comfortably with only one article number
- Available in fixed or folding version
- ECE-certified
- The profile shape can be combined perfectly with the PALFINGER reflector tape (p. 61)



KIT IS CERTIFIED ACCORDING TO LAST CURRENT DIRECTIVES ECE-R73



FIXED SIDE UNDERRIDE PROTECTION KIT

Code	Length [m]	Quantity brackets	Quantity profiles	Quantity profile brackets	Wheelbase F [mm]
M9000400	3,5	4	4	4	3901 - 5000
M9000401	5	4	2	4	< 3900
M9000402	5	6	4	6	> 5000

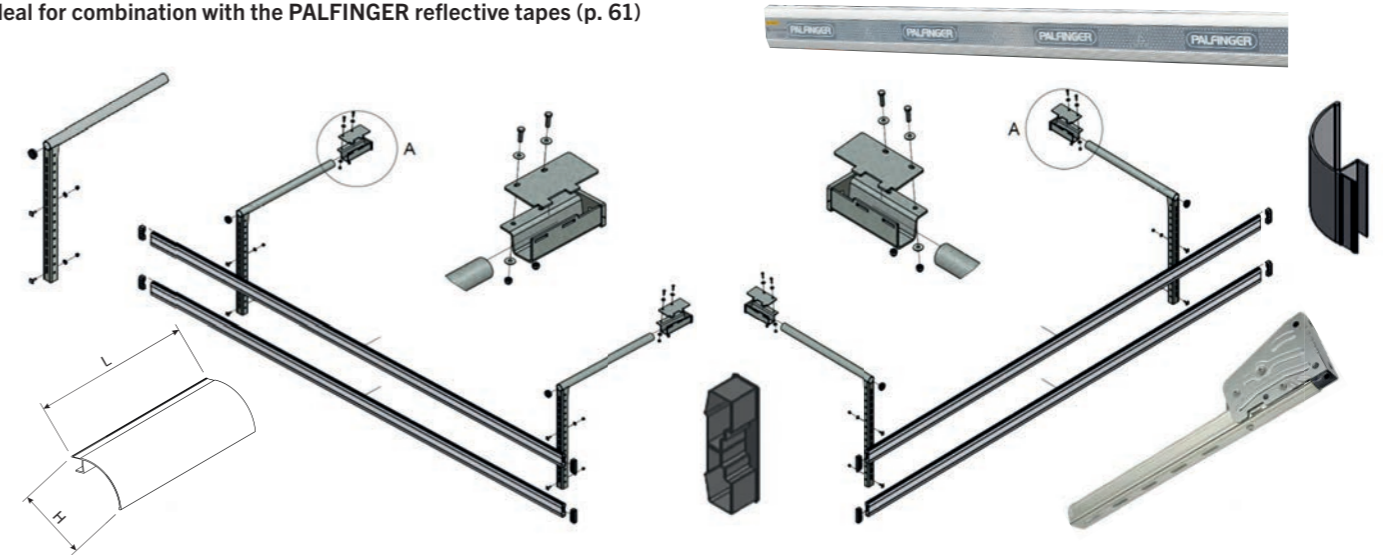
The kit includes the parts for BOTH sides of the vehicle.

FOLDABLE SIDE UNDERRIDE PROTECTION KIT

Code	Length [m]	Quantity brackets	Quantity profiles	Quantity profile brackets	Wheelbase F [mm]
EFA 441	3,5	2	2	2	3901 - 5000
EFA 442	5	3	2	3	> 5000

The kit includes the parts for ONE side of the vehicle.

Ideal for combination with the PALFINGER reflective tapes (p. 61)



Component	Code
Profile bracket fixed including fixing material	M9000424
Profile bracket foldable without fixing material	EFA 133
Aluminium profile 3,5 m	M62010651
Aluminium profile 5 m	M62010652
Fixation bracket right	M9000500
Fixation bracket left	M9000423
Rear end (straight)	M62010616
Rear end - Angle profile H = 100 mm, L = 100 mm	M62010615
Rear end - Angle profile H = 100 mm, L = 500 mm	M62010714

REAR DEMOUNTABLE BRACKETS

- Can be mounted to all kinds of vehicles
- The manual locking mechanism allows a coupling and decoupling within just a few minutes
- Full payload with decoupled crane possible
- Specially designed for the PALFINGER loader crane (PALFINGER Forestry and recycling cranes on request)



EXTENSION COUPLINGS

- High-quality friction-spring coupling
- For mounting on the rear demountable console
- Easy installation
- Extremely resistant dome muzzle

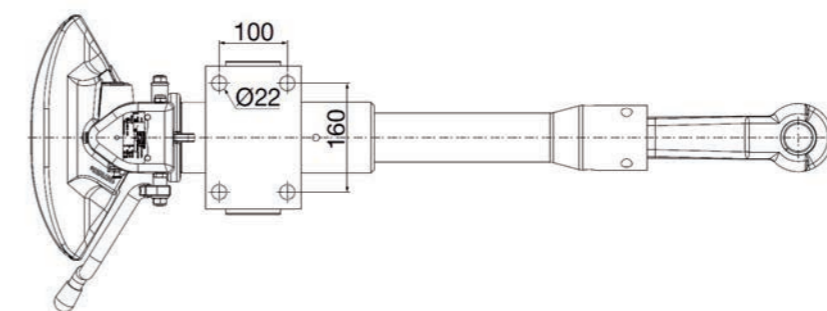
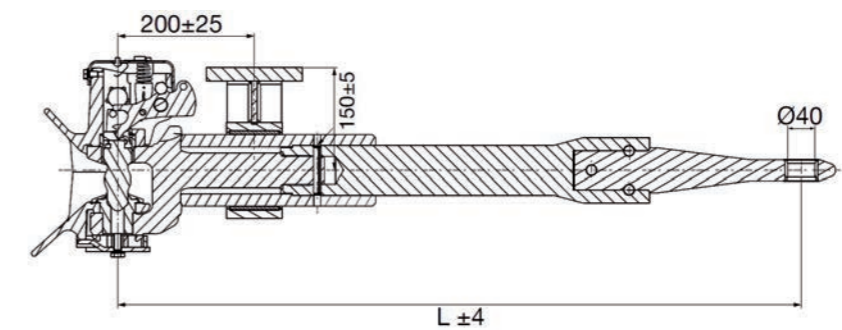
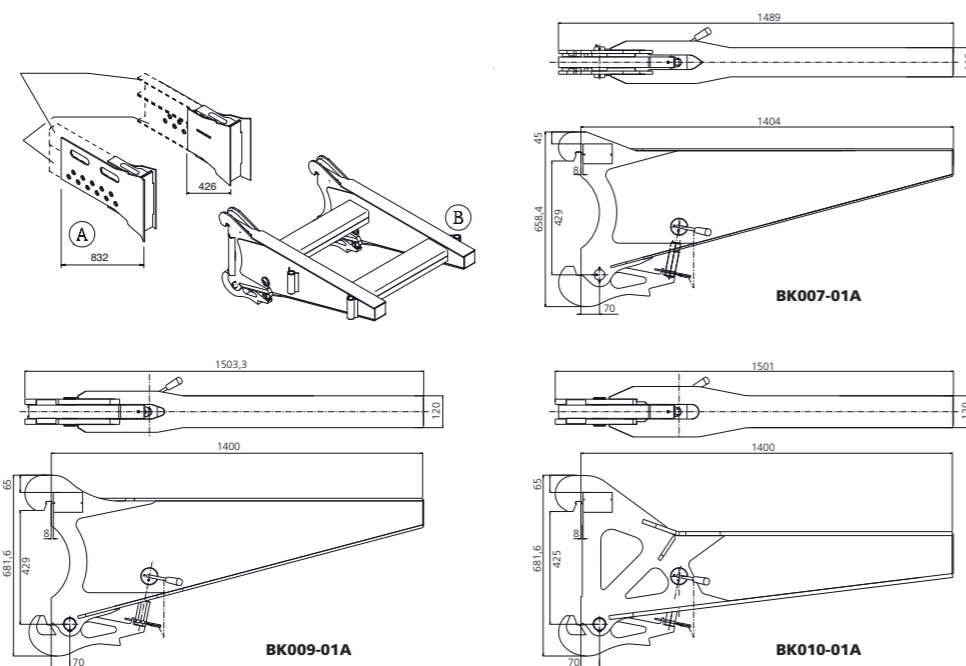


Code	Bracket	Quantity pcs	max. crane lifting moment	Weight [kg]
BK007A	BKA007-01A	2	119 kNm 12,1 mt	(A) 120 (B) 204
BK008A*	BKA007-01A BKA009-01A	1 1	244 kNm 24,9 mt	(A) 142 (B) 236
BK009A	BKA009-01A	2	244 kNm 24,9 mt	(A) 164 (B) 268
BKA010-01A	BKA010-01A	2	244 kNm 24,9 mt	(A) 164 (B) 326



Code	Length L [mm]	Weight [kg]	D-Value [kN]	Dc-Value [kN]	V-Value [kN]	Admiss. Supporting load [kg]	ECE type approval
PZBK02-B	875	61,5					
PZBK02-C	1000	65,5	120	92	35	1000	E11 55R-018313
PZBK02-D	1150	70,5					
PZBK02-E	1300	76					

* For crane mounting where center of gravity outside the center

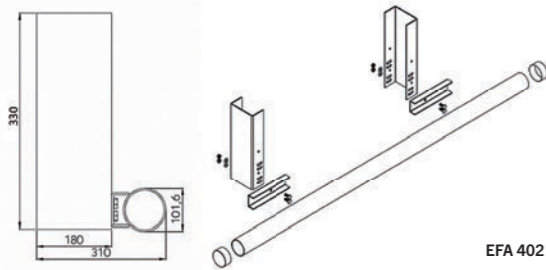


REAR UNDERRUN PROTECTION

- Proven Quality
- Perfect protection with minimum dead weight (approx. 27 kg)
- Easy and quick mounting
- All required components can be ordered with one article number
- Steel components are base coated



KITS ARE CERTIFIED ACCORDING TO DIRECTIVES ECE-R58 SERIES 02



EFA 402

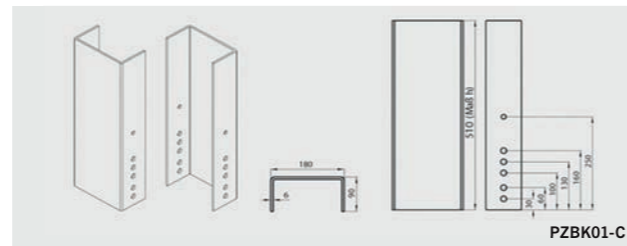
INCLUDED IN THE KIT

- 1x steel underride protection tube, length 2300 mm
- 2x rigid mounting brackets, height 330 mm
- 1x accessory set for mounting and assembly (including round tube caps)



PZBK01-A
PZBK01-B

- Lighting system in 2 different versions available
- For the mounting onto rear demountable consoles
- Underrun protection made of high quality aluminum
- Ready-assembled rear, - rubber arm, license plate lights and plug connections
- Matching brackets for rear demountable consoles are also available
- Horizontal distance between the rear edge of the underrun protection and the vehicle tail must be max. 363 mm
- Vertical distance from bottom edge of the underrun protection to the lower edge of the chassis to be max. 350 mm

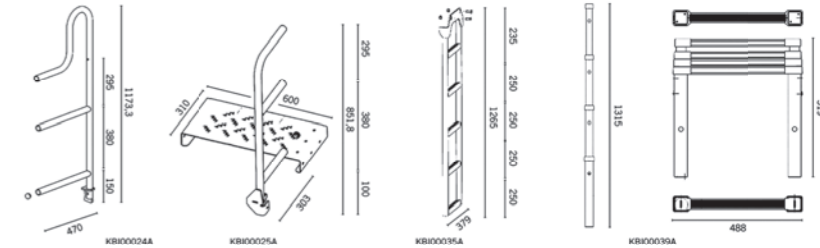


PZBK01-C

Kit	Code
Kit underrun protection rigid	EFA 402
URP aluminium silver anodised incl. Aspöck EuroFab rear lights, supply 2 x 7p can & Plug, incl. 3 m connection cable	PZBK01-A
URP aluminium silver anodised incl. Aspöck EuroFab rear lights, supply 1 x 15p can & Plug, incl. 3 m connection cable	PZBK01-B
Bracket for chassis frame width between 700 - 1400 mm	PZBK01-C

ACCESSORIES FOR HIGH STAND

- Guard rails for modification to rear mounting
- To close a possible gap between the crane and the driver's cabin, the standing platform can be extended
- The standing platform and the railing can be individually adapted onsite
- A loose ladder is available for the new high stand, the assembling to the high stand will be done by the body builder using the actual construction situation
- Telescopic rails for easy access and optimum working protection



TECHNICAL DATA

Code	Component	Weight [kg]
KBI00024A	Railing	8
KBI00025A	Additional platform	16
KBI00035A	Access ladder	10
KBI00039A	Telescopic railing	5

MISCELLANEOUS

TAIL LIGHT BRACKET

- Quick and easy fixing on the vehicle frame
- Mounting possibility for tail lights, anti-spray mats and rear markings



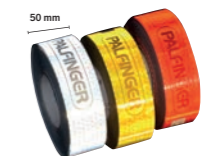
Component	Code
Tail light protection	HA13836
Tail light bracket	M9000481
Reflective tape EC White	M62010725
Reflective tape EC Red	M62010724
Reflective tape EC Yellow	M62010722

TAIL LIGHT PROTECTION


- Optimum protection of the tail light
- Made of 3mm steel flap
- Optimal corrosion protection KTL-coating
- For standard rear lights MAN, Mercedes Benz, Scania and Volvo
- 2 pieces included in kit



CE REFLECTIVE TAPE



LIGHTS

COMPONENT	DATA	CODE
 LED work light Scorpius Pro N4402	Power [W] 50 Voltage [V] 9 - 32 Lumens Output [lm] 4200 Colour Temperature [K] 6000 Operating Temperatures [°C] -40...+85 Dimensions [mm] 108x137x87 Connector Built-in Deutsch DT-2 (2-pin) Protection class IP68, IP6K9K	EEA11854
 LED work light KL1001	Power [W] 24 Voltage [V] 9 - 32 Lumens Output [lm] 1000 Colour Temperature [K] 5700 Operating Temperatures [°C] -40...+85 Dimensions [mm] 95x131x69 Connector Built-in Deutsch DT-2 (2-pin) Protection class IP68, IP6K9K	EEA13621
 LED work light Scorpius Go420	Power [W] 28 Voltage [V] 12 / 32 Lumens Output [lm] 1800 Colour Temperature [K] 5000 Operating Temperatures [°C] -40...+85 Dimensions [mm] 99x118x66 Connector Built-in Deutsch DT-2 (2-pin) Protection class IP68, IP6K9K	EEA14958
 LED work light Flush mount KL1302	Power [W] 24 Voltage [V] 9-32 Lumens Output [lm] 2400 Colour Temperature [K] 5700 Operating Temperatures [°C] -40...+85 Dimensions [mm] 105x105x88 Connector Pigtail Deutsch 2-pin Protection class IP68, IP6K9K	EEA12907
 LED reverse light Scorpius Go410 R	Power [W] 16 Voltage [V] 12 / 24 Lumens Output [lm] 1000 Colour Temperature [K] 5000 Operating Temperatures [°C] -40...+85 Dimensions [mm] 98x66x118 Connector Built-in Deutsch DT-2 (2-pin) Protection class IP68, IP6K9K	EEA15761

COMPONENT	DATA	CODE
 End-outline marker Superpoint 3	Voltage [V] 12 / 24 Dimensions [mm] 64x99x45 Protection class IP69K	EEA13634
 End-outline marker Superpoint 3	Voltage [V] 12 / 24 Dimensions [mm] 125x104x45 Protection class IP69K	EEA13917
 LED beacon yellow	Power [W] 24 Voltage [V] 10-30 Dimensions [mm] 134x58 Protection class IP65	EEA14657
 LED Licenseplate lamp	Voltage [V] 12 / 24 Dimensions [mm] 83x30x40 Protection class IP66	EEA12427
 Multifunction position lamp LED	Voltage [V] 12 / 24 Dimensions [mm] 238x21x10 Protection class IP68	EEA13318
 Multifunction position lamp LED	Voltage [V] 12 / 24 Dimensions [mm] 238x21x10 Protection class IP68	EEA14220
 Position lamp white	Voltage [V] 12 / 24 Dimensions [mm] 81x24x20,5 Protection class IP68	EEA14197
 LED Front-rear end-outline and side marker lamp	Voltage [V] 12 / 24 Dimensions [mm] 121x42x38 Protection class IP68	EEA16142
 LED flash light	Voltage [V] 10-30 Dimensions [mm] 96x28x20 Protection class IP67	EEA16080

KP-MOUNTINGASM4+EN

Units shown in the leaflet are partially optional equipped and do not always correspond to the standard version. Country-specific regulations must be observed. Dimensions may vary. Subject to technical changes, errors and translation mistakes.