

PK 22002 EH

ITS COMPACT DIMENSIONS AND LOW DEAD WEIGHT ALLOWS AN OPTIMISED MOUNTING CONCEPT

LIFETIME EXCELLENCE



LIFETIME EXCELLENCE

PALFINGER loader cranes are convincing due to their superior life-cycle performance. They are the most economical and also the most reliable over the entire product life. From solution finding to resale.

- **Better solutions**
- **Better efficiency**
- **Better ergonomics**
- **Higher availability**
- **More reliability**
- **Better ecology**
- **Higher serviceability**
- **Higher value retention**



MAXIMUM PRECISION AND SAFETY

- Maximum utilisation of the working range due to HPSC
- Increased operating times due to low-maintenance extension system
- High operator friendliness due to optional radio remote control
- Maximum precision and safety thanks to optional AOS
- Additional applications with Power Link Plus





FIRST-CLASS IN DESIGN AND PERFORMANCE

12 Highlights



Power Link Plus

High variety of uses

With the 15-degree reverse linkage system, you can reach through low door openings and also work inside buildings. Heavy crane work – even in difficult conditions.



Low-maintenance extension system

Reduces service time

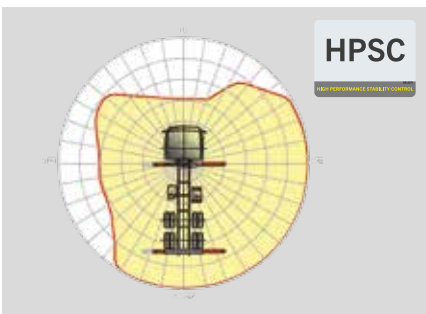
With sliding elements made of synthetic material and the high-quality KTL coating, this boom system significantly simplifies service performed by the operator. This saves time and money – and protects the environment.



High Speed Extension

For efficient assignments

The High Speed Extension speeds up the extension boom system. Crane works faster and more efficiently.



HPSC

Maximum utilisation of the working range

The variable stabiliser positioning of the High Performance Stability Control System makes it possible to utilise the lifting capacity to the maximum. It enables working within tight spaces.



PAL 50

Comfort and safety

The PALTRONIC 50, PALFINGER offers the latest control electronics for the series production crane. The custom designed electronic operates and monitors the crane and offers more efficiency in use and safety.



Control console

All information at a glance

All important information about the crane can be seen on the main control stand. A digital indicator counts and displays the operating hours. Ergonomic control levers and the optional lighting package provide increased safety and comfort even in poor visibility conditions.



Coating technology

Top quality surface protection at a glance

The KTL coating lays the foundation for a perfect surface protection. Afterwards the components are either coated in the powder-coating facility or are finished with a two-components-topcoat. High value retention and excellent corrosion protection for the whole life of a crane.



Functional design

Practical and attractive

Robust plastic covers protect crane parts against dirt and damage. Better appearance and increased operational comfort – during the entire lifetime.



Radio remote control

Dialogue with the operator

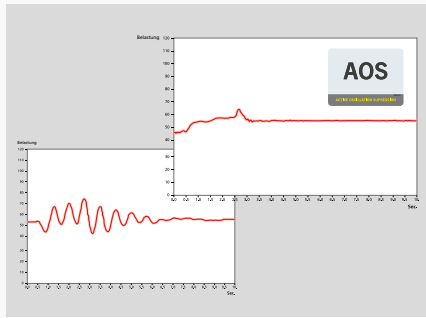
PALFINGER radio remote controls are equipped with linear lever or cross lever and provide the greatest possible comfort for the operator. All EH models with LED-Display inform the crane operator about the different operating conditions.



Hose equipment for attachments

Versatile and user-friendly

The hose equipment offers an easy means of connecting auxiliary equipment. The hose equipment is guided in hose trays for protection.



AOS

Maximum precision and safety

The active oscillation suppression system prevents „post-oscillation“ in the event of rapid braking or load changes. The stress peaks on the extension boom system are reduced and material fatigue and wear are minimised. This increases the resale value.



Lighting package*

More crane safety particularly at dusk and dark

LEDs which backlight the control panel make it easier to read off the crane functions and provide the crane operator with a quick overview of the entire panel during the working process. LED warning lights in the supporting cylinders mean greater safety for crane operator and passers-by.



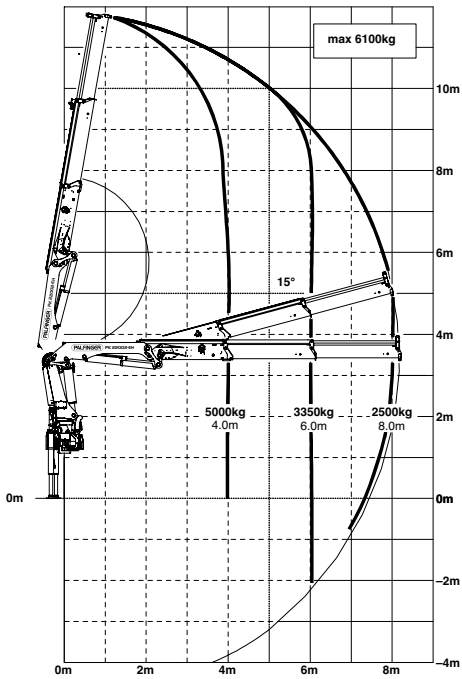
* Optional features / country-specific equipment

PK 22002 €H

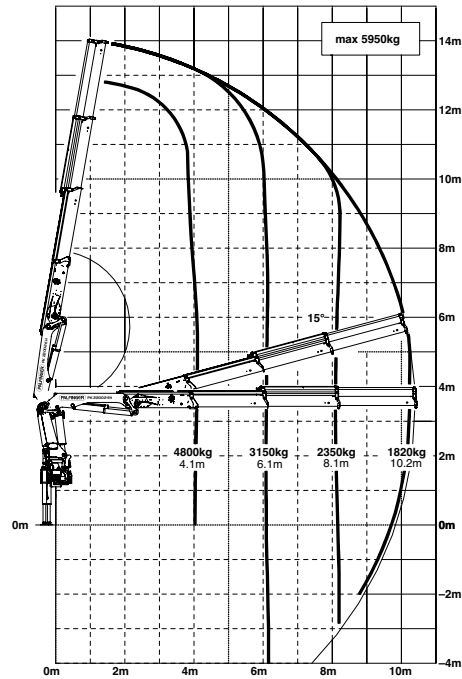
HIGH PERFORMANCE

Power Link Plus as standard.

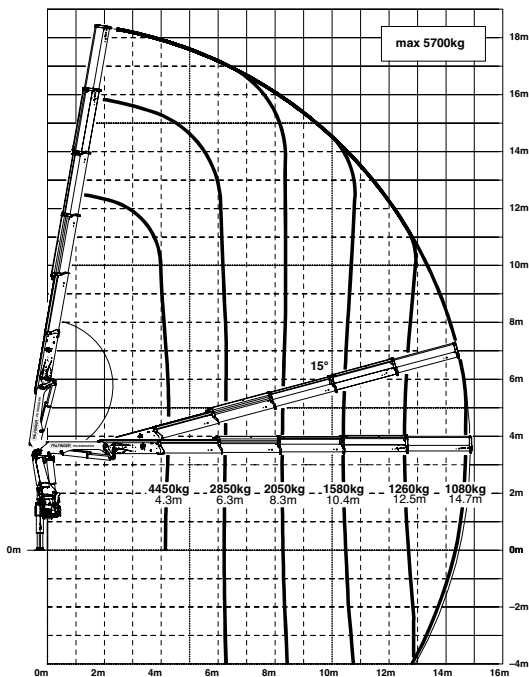
A



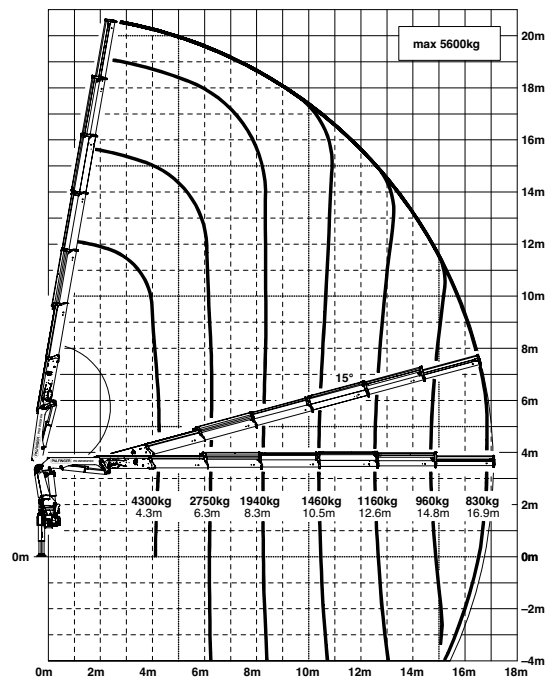
B



D



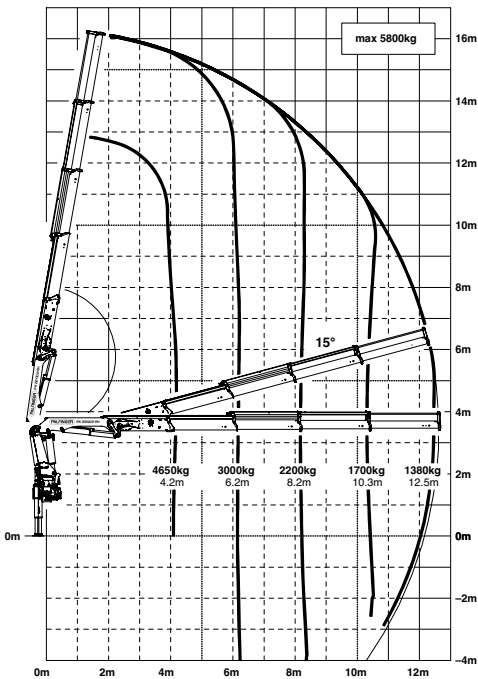
E



The outreaches stated are with a boom angle of 20° and are therefore not the maximum.

Lifting capacities

C



max.		6100 kg	13440 lbs	A
4.0 m	13' 1"	5000 kg	11100 lbs	
6.0 m	19' 8"	3350 kg	7400 lbs	
8.0 m	26' 3"	2500 kg	5500 lbs	

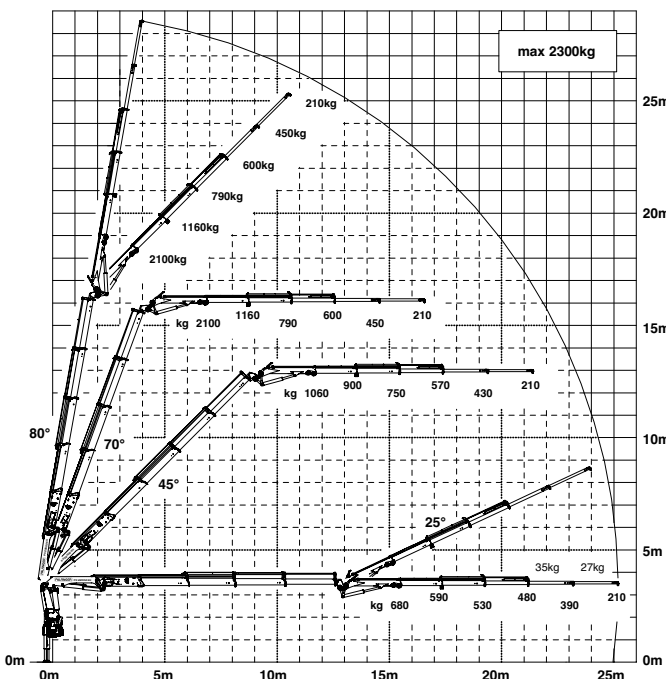
max.		5950 kg	13100 lbs	B
4.1 m	13' 5"	4800 kg	10600 lbs	
6.1 m	20' 0"	3150 kg	7000 lbs	
8.1 m	26' 7"	2350 kg	5100 lbs	
10.2 m	33' 6"	1820 kg	4050 lbs	
12.5 m*	41' 0"	1440 kg	3150 lbs	
14.7 m*	48' 3"	1160 kg	2550 lbs	

max.		5800 kg	12780 lbs	C
4.2 m	13' 9"	4650 kg	10200 lbs	
6.2 m	20' 4"	3000 kg	6600 lbs	
8.2 m	26' 11"	2200 kg	4850 lbs	
10.3 m	33' 10"	1700 kg	3750 lbs	
12.5 m	41' 0"	1380 kg	3050 lbs	
14.7 m*	48' 3"	1120 kg	2500 lbs	
16.8 m*	55' 1"	940 kg	2050 lbs	

max.		5700 kg	12560 lbs	D
4.3 m	14' 1"	4450 kg	9800 lbs	
6.3 m	20' 8"	2850 kg	6300 lbs	
8.3 m	27' 3"	2050 kg	4550 lbs	
10.4 m	34' 1"	1580 kg	3450 lbs	
12.5 m	41' 0"	1260 kg	2800 lbs	
14.7 m	48' 3"	1080 kg	2350 lbs	
16.9 m*	55' 5"	890 kg	1960 lbs	
18.9 m*	62' 0"	620 kg	1380 lbs	

max.		5600 kg	12340 lbs	E
4.3 m	14' 1"	4300 kg	9500 lbs	
6.3 m	20' 8"	2750 kg	6000 lbs	
8.3 m	27' 3"	1940 kg	4300 lbs	
10.5 m	34' 5"	1460 kg	3200 lbs	
12.6 m	41' 4"	1160 kg	2550 lbs	
14.8 m	48' 7"	960 kg	2100 lbs	
16.9 m	55' 5"	830 kg	1820 lbs	
18.9 m*	62' 0"	620 kg	1380 lbs	

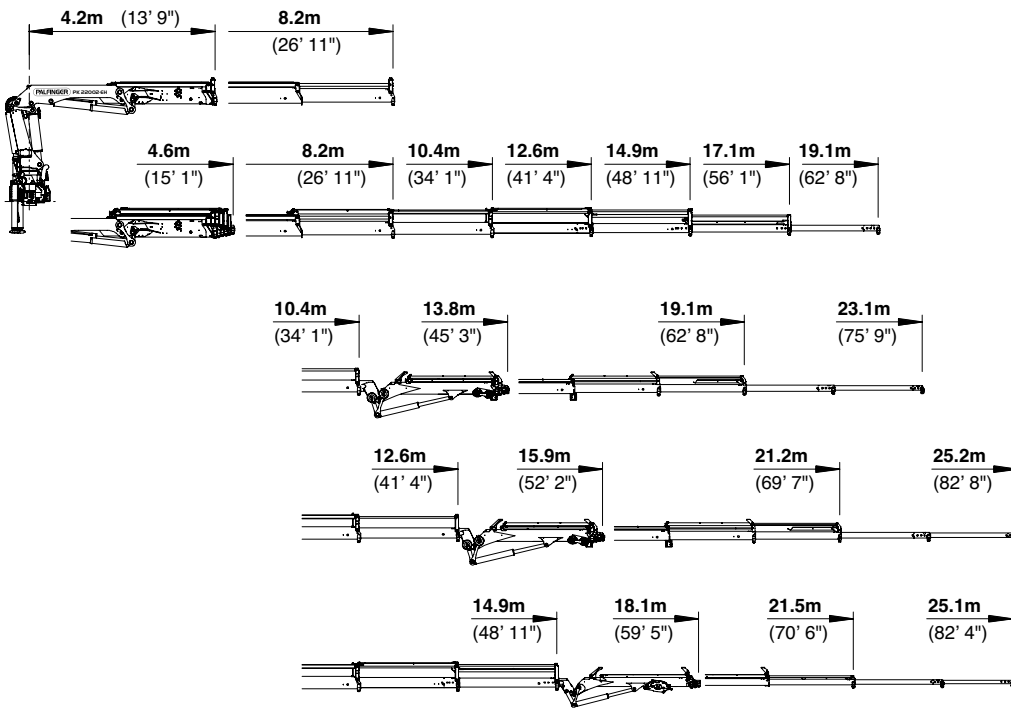
C PJ060B JV2



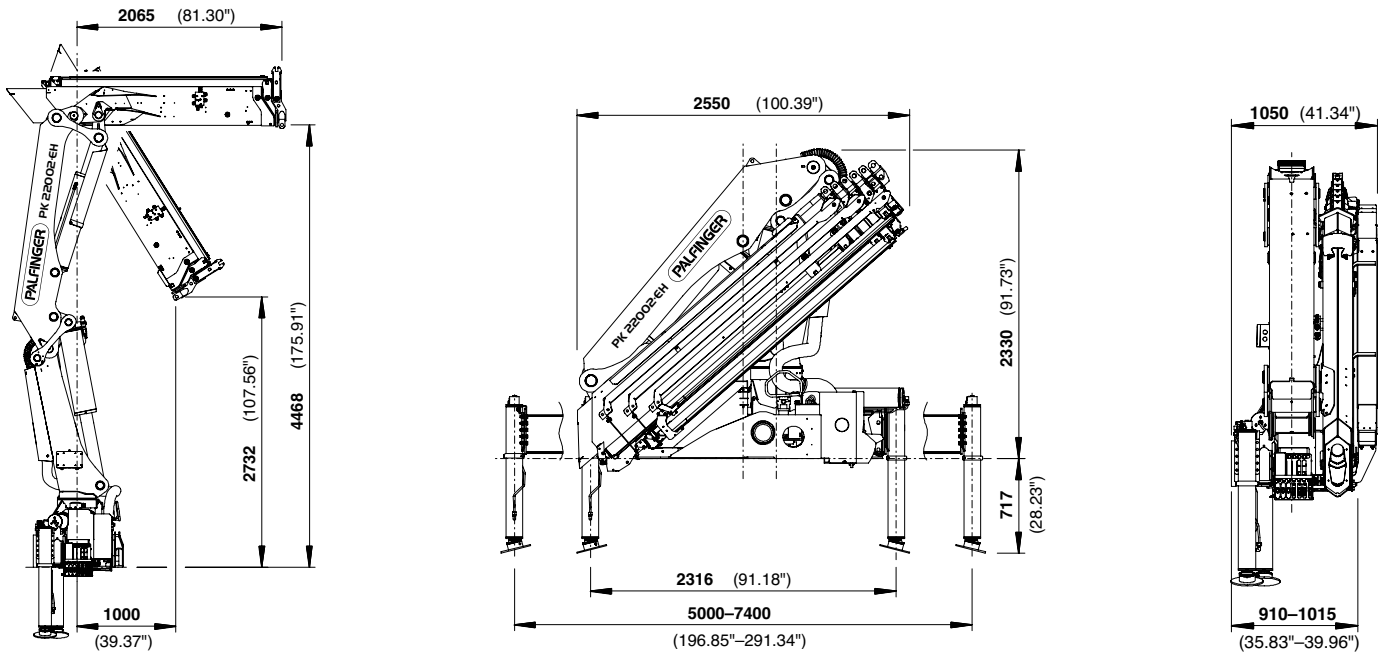
*mechanical extension

PERFECT DIMENSIONS

EXTENSION BOOM VARIATIONS



DIMENSIONS



Technical specifications

EN 12999 HC1 HD4/B3

PK 22002 EH

Max. lifting moment	20.9 mt/205.0 kNm	151190 ft.lbs
Max. lifting capacity	6100 kg/59.8 kN	13440 lbs
Max. hydraulic outreach	17.1 m	56' 1"
Max. manual outreach	19.1 m	62' 8"
Max. outreach (with fly-jib)	25.2	82' 8"
Slewing angle	400°	

B PJ060B JV2

Slewing torque	2.3 mt/22.6 kNm	16640 ft.lbs
Stabiliser spread (std./max.)	5.0 m / 7.4 m	16' 5" / 24' 3"
Fitting space required (std.)	0.91 m	2' 12"
Width folded	2.55 m	8' 4"

C PJ060B JV2

Max. operating pressure	350 bar	5075 psi
Recommended pump capacity	from 65 l/min to 90 l/min	17.2 US gal./min 23.8 US gal./min
Dead weight (std.)	2391 kg	5270 lbs

D PJ040A JV2

Package model

- E-HPLS
- Paltronic 50
- Radio remote control with LED display
- Danfoss control valve or PVG2000
- 8.5 kW oil cooler
- 200 l oil tank



Cranes shown in the leaflet are partially optional equipped and do not always correspond to the standard version. Country-specific regulations must be observed. Dimensions may vary. Subject to technical changes, errors and translation mistakes.