

PK RANGE

VERSATILE SMALL CRANES WITH OPTIMISED POWER-TO-WEIGHT RATIO FOR LIGHT- WEIGHT COMMERCIAL VEHICLES

LIFETIME EXCELLENCE



LIFETIME EXCELLENCE

PALFINGER loader cranes are convincing due to their superior life-cycle performance. They are the most economical and also the most reliable over the entire product life. From solution finding to resale.

- **Better solutions**
- **Better efficiency**
- **Better ergonomics**
- **Higher availability**
- **More reliability**
- **Better ecology**
- **Higher serviceability**
- **Higher value retention**

For further information please visit: www.palfinger.com/thebrand

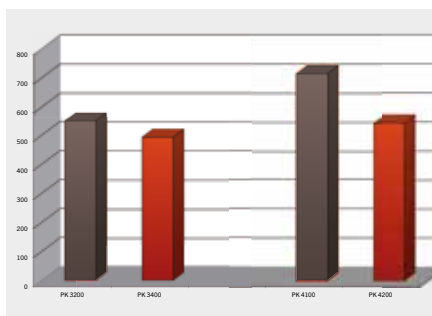


- High outreach with up to four hydraulic extensions
- Optimised dead weight
- Small overall width for use in inner city areas
- High value retention due to coating technology



NUMEROUS DESIGN VARIANTS OPEN UP NEW RANGES OF APPLICATIONS

12 Highlights



Dead weight

Maximum efficiency

Optimised lifting power to dead weight ratio means increased payload on the truck. The efficiency of the vehicle increases for every single job.



High outreach

Increase in working range

The PK 3400 and PK 4200 are available with up to four hydraulic extensions. This allows an outreach of 9.8 m.



Coating technology

Top quality surface protection at a glance

The KTL coating lays the foundation for a perfect surface protection. Afterwards the components are either coated in the powder-coating facility or are finished with a two-components-topcoat. High value retention and excellent corrosion protection for the whole life of a crane.



Control console

Communication with the operator

Hydraulic proportional control valve with five control functions and a hydraulic emergency shut-off function. The crane can be operated from both sides.



Hydraulic overload protection

In-built safety function

When the load limits are reached, the optional overload protection function stops all movements that could further increase the lifting moment.



Internal oil feeds

Maximum protection thanks to compact design

The internal oil ducts enable a compact extension boom system design and ensure maximum protection against damage.



Radio remote control

Communication with the operator

The PK 3400 and PK 4200 are available with two different radio remote control versions. This provides the best-possible overview of the loading process and ensures higher efficiency in use.



Cable winch

The perfect complement

To extend the potential range of applications, a cable winch is available as an option for the PK 3400 and PK 4200. With a lifting power of 800 kg the winch is specially designed for small cranes. If required, it can be fitted with an extension stop and limit switch.



Hose equipment for attachments

Versatile and user-friendly

The hose equipment for the PK 3400 and PK 4200 offers an easy means of connecting auxiliary equipment. The hose equipment is guided in hose trays for protection.



Stabilizer system

For optimum stability

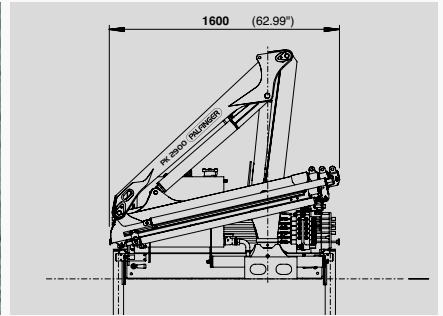
The PK 3400 and PK 4200 are available with two stabilizer widths to ensure optimum stability at all times. All models can be fitted with tiltable or extended stabilizer jacks.



Tiltable stabilizer plates

Better adaptation to the ground

All stabilizers are fitted with tiltable stabilizer plates as standard. They are assembled on a ball joint and can be tilted by up to 10°. This reduces the pressure on the ground.



Small overall width

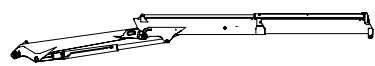
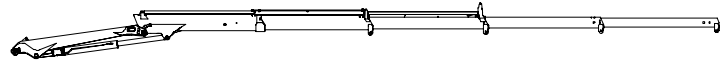
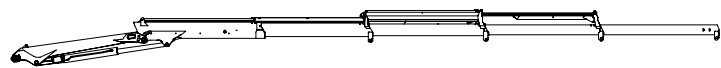
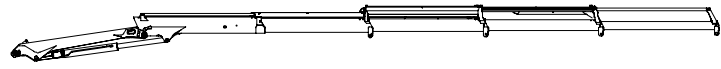
Mounting on narrow vehicles

With a crane width of 1600 mm, the PK 2900 can even be used on narrow vehicles. It is typically used in the building materials trade, horticulture and in inner city areas.

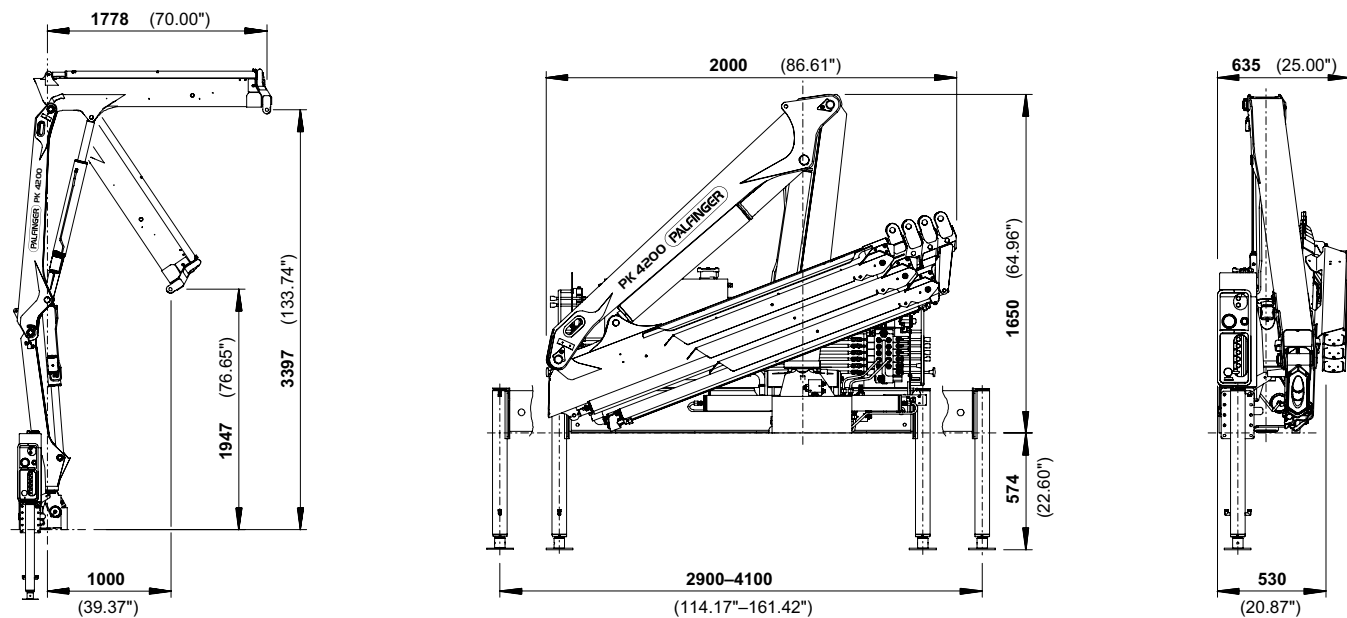
PK 4200

PERFORMANCE

EXTENSION BOOM VARIATIONS

						STD
m		3.3	4.8			
kg	max. 990	990	820			
						A - V1, V2
m		3.4	4.9	6.4	8.0	9.6
kg	max. 990	990	760	550	440	350
						B - V1
m		3.5	4.9	6.5	8.0	9.6
kg	max. 990	990	710	500	420	330
						C
m		3.6	5.0	6.6	8.1	9.7
kg	max. 990	990	660	460	370	300

DIMENSIONS



Technical specifications

EN 12999 H1-B3

Max. lifting moment	3.9 mt/38.3 kNm	28220 ft.lbs
Max. lifting capacity	990 kg/9.7 kN	2180 lbs
Max. hydraulic outreach	9.8 m	32' 2"
Max. manual outreach	9.8 m	32' 2"
Slewing angle	370°	
Slewing torque	0.40 mt/3.9 kNm	2890 ft.lbs
Stabilizer spread (std./max.)	2.9 m/9' 6"	4.1 m/13' 5"
Fitting space required (std.)	0.53 m	1' 9"
Width folded	1.90 m	6' 3"
Max. operating pressure	250 bar	3625 psi
Recommended pump capacity	15 l/min	4.0 US gal./min
Dead weight (std.)	491 kg	1080 lbs





Cranes shown in the leaflet are partially optional equipped and do not always correspond to the standard version. Country-specific regulations must be observed. Dimensions may vary. Subject to technical changes, errors and translation mistakes.