

SPECIFICATION

FASTRAC iCON



4000 & 8000 SERIES FASTRAC | 4220, 8330

Rated power: 218 - 335hp (163 - 250kW) Torque: 1,000 - 1,450Nm Rear lift capacity: 8,000 - 10,000kg



FASTRAC iCON

The FASTRAC iCON control system is the final piece of the jigsaw, integrating precision agriculture technology, a configurable control system and newly developed Smart Transmission Control (STC); all within an updated, class-leading operator environment. Alongside the other Fastrac benefits of productivity, versatility, comfort, safety, and speed it's all the tractor you will ever need.



FASTRAC iCON PRODUCTIVITY.

Building on renowned productivity, the introduction of a fully configurable operator environment, integrated precision technology and superior machine control, raises the bar even higher.



FASTRAC iCON VERSATILITY.

Front and rear hitches, PTOs and rear deck allow the attachment of many implements. 4-wheel steer with selectable steering modes on the 4000 Series adds further versatility.



FASTRAC iCON COMFORT.

The Fastrac's iconic ride comfort is delivered by a combination of advanced suspension and mid-mounted cab. An adjustable screen, seat, armrest and configurable controls provide extra comfort.



FASTRAC iCON SAFETY.

All-round disc brakes deliver greater stopping power, while ABS as standard provides exceptional control when braking. The anti-roll bars and advanced suspension system offer improved stability at high speed.



FASTRAC iCON SPEED.

Get ahead of the competition with class-leading speeds on road and infield, with a maximum speed of up to 70kph.

A bespoke operator experience

iCONFIGURE is the creation of a bespoke operator experience. It features 50 control profiles, with the ability to assign functions to both the main and auxiliary joysticks. Profiles can be saved for easy change over between operators and implements. The main joystick has five configurable buttons and the optional auxiliary joystick has four. The configurable buttons can be programmed for functions such as hitch controls, PTO control, and transmission settings. The auxiliary joystick also benefits from an assignable proportional rocker and a two-axis proportional hydraulic control.

- Fully configurable, allowing operators to have a set-up that suits them
- Reduces operator fatigue by helping to simplify processes
- Control profiles are saved for easy change over between operators

FASTRAC iCONFIGURE

Precision technology at your fingertips

iCONNECT is the integration of precision technology including ISOBUS and GPS. The JCB Fastrac iCON offers level 2 ISOBUS which includes features such as Universal Terminal, AUX-N functionality and basic task control. Section and rate control can also be unlocked. JCB GPS utilises an industry proven NOVATEL Smart-7 receiver and a custom JCB user interface. A DAB digital radio with Bluetooth connectivity is fitted as standard and can be controlled through the screen, or with the dedicated armrest hardware.

- Fully integrated precision technology solution from factory
- Easy to use fingertip control
- Improved precision for a variety of applications

FASTRAC iCONNECT





Redefining your driving experience

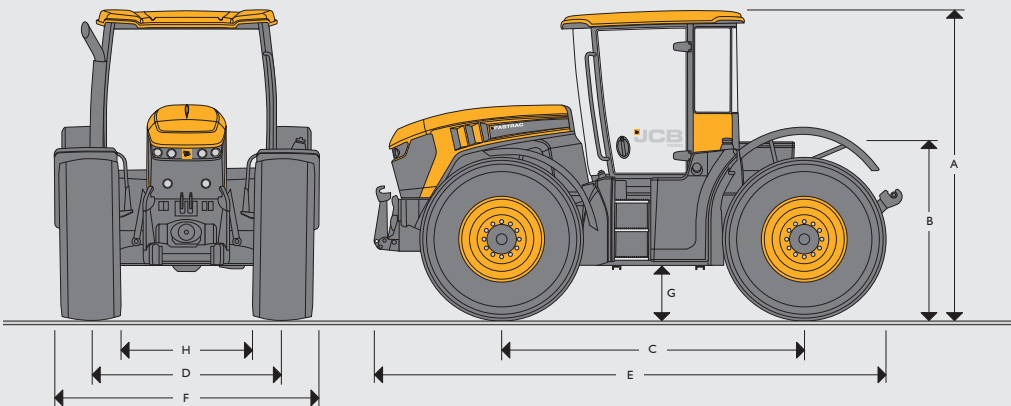
iCONTROL redefines operation and drive comfort through new drive software called Smart Transmission Control (STC). It operates on a speed-based system, where the driver selects the desired forward speed and the tractor controls the engine speed and transmission ratio, maintaining the required speed under changing loads. The operator can now seamlessly switch between pedal, joystick, or roller control. They can also select one of two pre-set cruise speeds at the touch of a button.

- Seamless operation with the flexibility to meet operator preferences
- Precise control of speed to match application needs
- Efficient power delivery

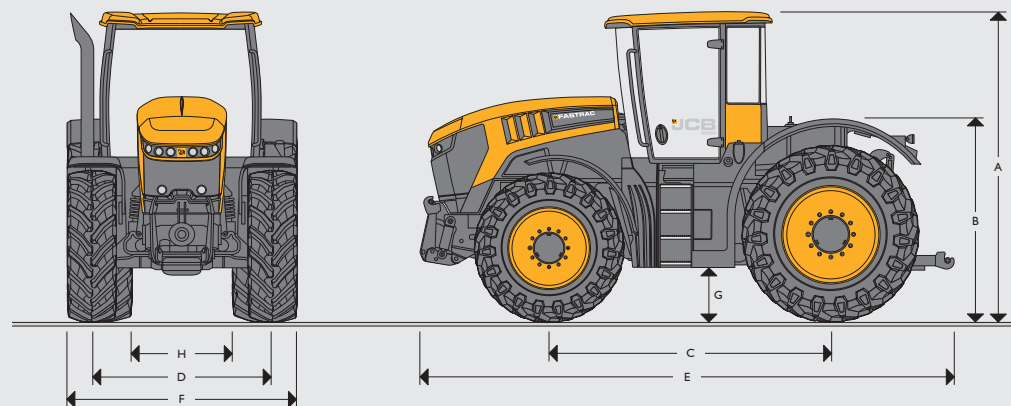
FASTRAC iCONTROL

STATIC DIMENSIONS

4000 SERIES



8000 SERIES



STATIC DIMENSIONS

	4220	8330
Tyres	540/65 R34	540/65 R38 + 710/60 R42
A Height over cab	m 3.00	3.45
B Height to deck	m 1.67	2.06
C Wheelbase	m 2.98	3.13
D Track width	m 1.83 / 2.00 standard	2.03
E Overall length	m 5.40	5.65
F Overall width	m 2.55	2.55
G Ground clearance	m 0.45	0.60
H Width between tyres	m 1.47	1.1

ENGINE

	4220	8330
Model	4220	8330
Engine type	AGCO Power	
Model	66 LFTN	84 LFVC
Cylinders / Capacity	cc 6 / 6596	6 / 8419
Bore / Stroke	mm 108 / 120	111 / 145
Injection	BOSCH CP4 Common rail	
Rated Power hp @ 2100rpm	hp (kW) 218 (163)	335 (250)
Maximum Power hp @ 1900rpm	hp (kW) 235 (175)	348 (260)
Maximum Torque @ 1500rpm	Nm 1000	1450
Cooling	Std: viscous coupling fan. Opt: variable pitch reverse fan	
Air cleaner	Powercore dry element	
Aspiration	Turbocharged and intercooled	Twin turbocharged and intercooled

CAPACITIES

	4220	8330
Fuel tank	litres 390	600
Hydraulic tank	litres 130	150
Urea tank	litres 45	70

HYDRAULICS

	4220	8330
Rear 3 point linkage control	Electronic raise/lower with depth, draft/position intermix, rate of drop and maximum lift height control plus external lift and lower.	
Rear 3 point linkage type	Category 3; Quick attach hook ends, eye end top link.	Category 3; Quick attach hook ends, eye end top link, Cat 4N available.
Rear 3 point linkage capacity	kg 7000/8000	10000
Front 3 point linkage (optional) control	Electronic raise/lower with depth, rate of drop and maximum lift height control plus external lift and lower.	
Front 3 point linkage (optional) type	Category 3N; Quick attach hook ends, folding arm.	
Front 3 point linkage (optional) capacity	kg 3500	

AUXILIARY HYDRAULICS

	4220	8330
Max. oil flow @2100rpm rated speed	l/min 195	178
Flow per slice	l/min 100	140
Operating pressure	bar 210	
Standard (Agricultural version)	4 rear spools with rear free flow return	
Optional (Agricultural version)	4 or 5 rear spools, 0, 1 or 2 front spools, front free flow return, rear load sensing hydraulic connection (power beyond).	
Standard (Utility version)	3 front and 3 rear spools with rear free flow return	n/a
Optional (Utility version)	2 rear spool valves, 4 front spool valves, front free flow return, rear load sensing hydraulic connection (power beyond)	n/a
Couplers	ISO deluxe quick release (release under pressure type)	

SUSPENSION

	4220	8330
Front and rear:	Hydro-pneumatic self levelling, 55mm double-acting	63mm double-acting

ELECTRICAL SYSTEM

System voltage	Volt	12
Alternator output	Amp	200
Battery capacity	Amp hour	2 x 110

VEHICLE WEIGHTS

	4220			8330		
	Front axle	Rear axle	Total	Front axle	Rear axle	Total
Base machine	3,845	3,730	7,575	5,920	5,330	11,250
+ 600/70 R30, front link and front PTO	4,870	4,370	9,240	6,420	6,150	12,570
Maximum permissible mass	8,000	10,000	14,500	9,000	11,500	18,000

POWER TAKE OFF

	4220		8330	
	4-speed pto with electro hydraulic soft engage and electro-hydraulic speed shift		2-speed pto with electro hydraulic soft engage and electro-hydraulic speed shift	
Rear PTO type	4-speed pto with electro hydraulic soft engage and electro-hydraulic speed shift		2-speed pto with electro hydraulic soft engage and electro-hydraulic speed shift	
Actuation	Electro Hydraulic			
Rear PTO speeds	1000E		1000	
PTO power	hp (kW)	197 (145)	310 (231)	
Front PTO speed (option)	1000rpm @ 2030 engine rpm (Centre output or utility offset output)		1000rpm @ 2030 engine rpm	

AXLES

	4000 Series	8000 Series
Type	Beam with outboard epicyclic reduction hubs.	
Wheel mountings	12 stud front axle, 12 stud rear axle.	10 stud front axle, 16 stud rear axle
Four wheel drive engagement	Electrohydraulic front & rear.	
Differentials	Front & Rear: electrohydraulic soft engage.	

STEERING

	4220	8330
Standard steering	Hydrostatic - fixed ratio	Dual line hydrostatic - fixed ratio
Optional steering	GPS ready with Rapid Steer	
Steering column	Tilt and telescope adjustable	

BRAKES

Type	Outboard ABS disc brakes all round with electronically controlled park brake.
Trailer brakes	Twin line air trailer brakes. Territory specific single line hydraulic trailer brakes. Air trailer brake automatically applied by tractor park brake. 12V trailer ABS supply socket as standard.

TRANSMISSION

	4220	8330
Transmission type	AGCO ML180 CVT	AGCO ML260 CVT
Low range speed	kph	0-40
High range speed	kph	0-70

WHEELS AND TYRES

	4220	
	Size	Track width (mm)
Agricultural pattern	VF 540/65 R30	1870/2000
Agricultural pattern	IF 540/65 R34	1870/2000
Agricultural pattern	VF 540/65 R34	1870/2000
Agricultural pattern	IF 600/70 R30	1916/2000
Agricultural pattern	VF 600/70 R30	1916/2000
Utility pattern	540/65 R28	1870
Utility pattern	540/65 R30	1870
Agricultural pattern (Row crop)	VF 380/85 R38	Variable

WHEELS AND TYRES

	8330	
	Size	Track width (mm)
Agricultural pattern	VF 540/65R38 + VF 710/60R42	2000 + 1835
Agricultural pattern	VF 600/60R38 + VF 710/60R42	2000 + 2000
Agricultural pattern	IF 650/65R34 + 900/50R42	2208 + 2040
Utility pattern	440/80R34 + 650/65R38	2109 + 1905
Utility pattern	600/70R34 + 650/65R42	2000 + 2000
Agricultural pattern (Row crop)	VF 480/70R38 + VF 480/80R46	Variable

EQUIPMENT – BASED ON 4220 AND 8330

	Standard	Field Pro	Pro Line		Standard	Field Pro	Pro Line
Heated Cloth Seat	•	-	-	Fender Spool Controls	+	•	•
Deluxe ½ Leather Heated and Ventilated Seat	+	•	•	Front Free Flow Return	+	+	•
Under Seat Cool Box	•	•	•	JCB GPS	+	+	+
Electric Heated Mirrors	•	•	•	ISOBUS Level 2	+	•	•
Heated Front and Rear Windscreen	+	+	•	Task control – section control and variable rate	-	+	+
Shuttle Lever	+	•	•	Front Power and Lighting Socket	+	+	•
Rear Hitch Camera	+	+	•	Rear Power Socket	+	+	•
Front and rear camera sockets	+	+	-	GPS Ready & Rapid Steer	+	•	•
Smokers Pack	+	+	•	Headland Turn Assist	+	•	•
Interior Rear-View Mirror	+	+	•	Eye End Top Link	•	•	-
Twin Amber Beacons	+	+	•	Hook End Top Link	+	+	-
Cab Carpet	+	+	•	Hydraulic Top Link	+	+	•
6 Front 6 Rear Halogen Work Lights	•	-	-	Road Performance Package	+	+	•
6 Front 6 Rear LED Work lights	+	•	•				
LED Road Lights (Incl. LED Aux Headlights)	+	+	•				
Manual Stabilisers	•	-	-				
Automatic Stabilisers	+	•	•				
Power Beyond	+	•	•				

STANDARD • OPTIONAL + NOT AVAILABLE -



ONE COMPANY, OVER 300 MACHINES.

Your nearest JCB dealer

4000 & 8000 SERIES FASTRAC 4220, 8330

Rated power: 218 - 335hp (163 - 250kW) Torque: 1,000 - 1,450Nm Rear lift capacity: 8,000 - 10,000kg

JCB Sales Limited, Rokeceter, Staffordshire, United Kingdom ST14 5JP.

Tel: +44 (0)1889 590312 Email: salesinfo@jcb.com

Download the very latest information on this product range at: www.jcb.com

©2022 JCB Sales. All rights reserved. No part of this publication may be reproduced, stored in a retrieval system, or transmitted in any form or by any other means, electronic, mechanical, photocopying or otherwise, without prior permission from JCB Sales. All references in this publication to operating weights, sizes, capacities and other performance measurements are provided for guidance only and may vary dependant upon the exact specification of machine. They should not therefore be relied upon in relation to suitability for a particular application. Guidance and advice should always be sought from your JCB Dealer. JCB reserves the right to change specifications without notice. Illustrations and specifications shown may include optional equipment and accessories. The JCB logo is a registered trademark of J.C. Bamford Excavators Ltd.

