

drawbar eye series 2035 EEC type approval e1 00-0627

directive 94/20/EG / class D50-B similar to DIN 74053-50B / material Ck45 (no. 1.1191)

with bush 50 mm

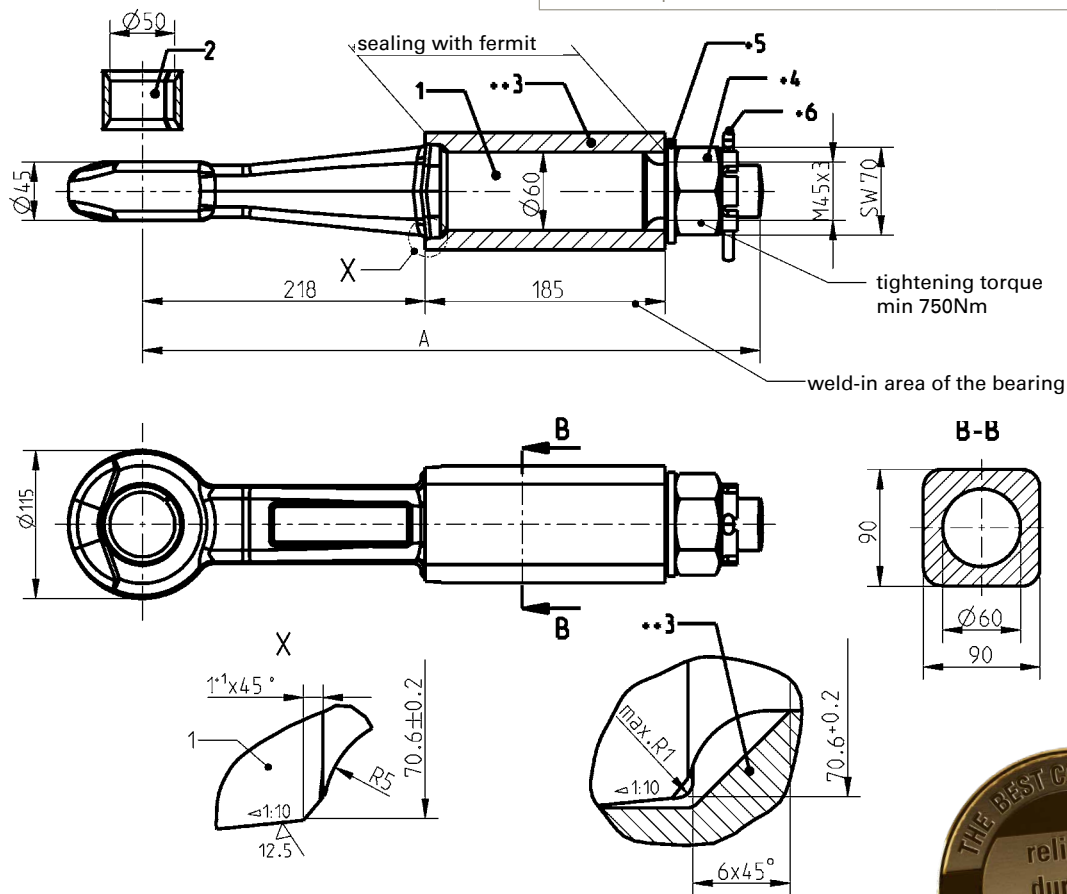
For mechanical drawbar couplings 50 according to DIN 74052-1 and type-approved drawbar couplings which are approved for mounting according to DIN 74053 or identically constructed drawbar eyes.

order no.	shaft cross section \varnothing mm	length A mm	weight kg	D-value kN
203583	60	475	11.2	190

parameters for centre-axle trailers	
vertical drawbar load S kg	1000
Dc-value kN	90
V-value kN	25

parts list			
item no.	description	unit	order no.
	drawbar eye 2035 completely with no. 1 and 2	1	203583
1	drawbar eye 2035	1	
2	drawbar eye bush slotted	1	741274053
3*	bearing for drawbar eye	1	47271000
4	castle nut M45x3	1	47271001
5	disc A46	1	47271002
6	splint pin \varnothing 8 x 80	1	47271003

* can be delivered additionally if required



Our products on the internet:
www.zugoesen.de



Jeco-Jellinghaus GmbH

Feldstraße 30
58285 Gevelsberg

Phone +49 2332 / 70 08 - 0
Fax +49 2332 / 70 08 - 52

www.jeco.de
info@jeco.de

www.zugoesen.de
shop@zugoesen.de