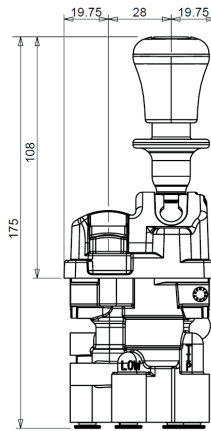
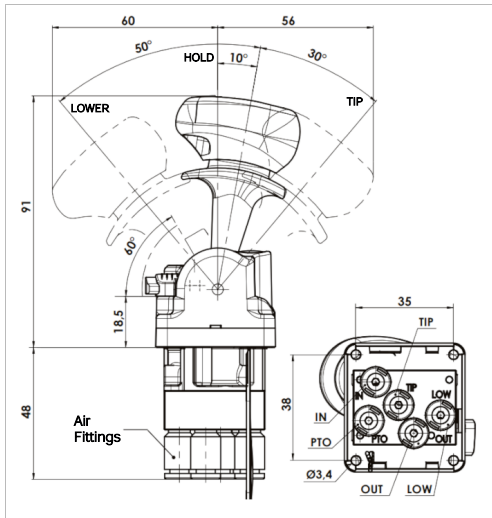
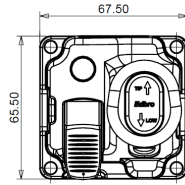


Dimensions & Features

Weight	0.38kg
Operating Temperature range	-30° - +80°
Air Condition	Dry /Filtered
Maximum Working Pressure	12 bar
Connecting Tube Material	Nylon
Tube diameter	Ø6mm
Voltage requirements	12-24v

Features

- Engineering polymer body with Integrated 6mm pneumatic fittings
- Proportional control
- Compact & lightweight
- Improved reliability
- PTO switch options with LED indicator
- Available as individual valves or complete installation kits



Hoist control without PTO switch



Hoist control with PTO switch



Hoist Kit contents

The kit part numbers AVxxxP, comprise of:

- Hoist control
- 2x 12.5 m of Coloured nylon tube
- Cable ties
- Installation instruction
- 3 fixing screws to mount valve



ADVICE!

When installing ensure sufficient space for handle movement from vertical "LOCK" position. 30° Tip & 50° Lower

Specifications

Kit Part Number	Valve Part Number	ØTube Fittings	Lock in Lower	Lock in Tip	CE Approved	PTO Control	Lamp	Exhaust Silencer
AV259P	SA2987P	6mm	Yes	No	No	-----	No	No
AV258P	SA2986P	6mm	Yes	No	No	Automatic	No	No