



SERVICE ADVISORY

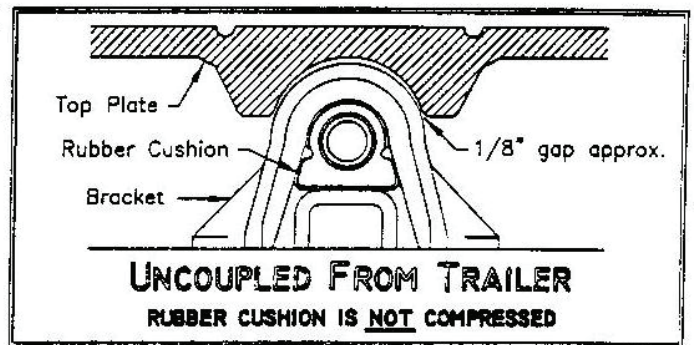
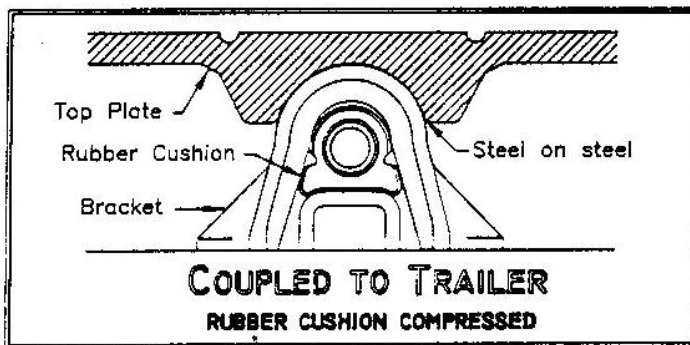
October 30, 1997

Page 1/3

FW0070/FW2555/FW2570 INSPECTION & OUT-OF-SERVICE CONDITION

VERTICAL MOVEMENT BETWEEN TOP PLATE & BRACKET

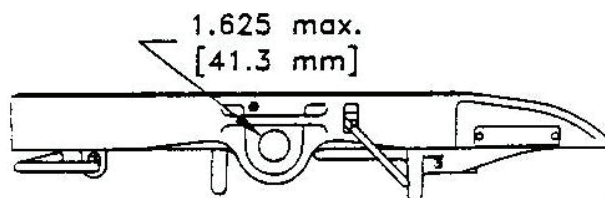
- The function of the bracket pin and the rubber cushion is to retain the top plate to the bracket, and to absorb the upward shock load as the tractor is bob-tailing.



- When 3/8" [9.5 mm] free upward movement is detected, steel shims can be installed. These shims (XA-2018-4) are 3/16" [4.8 mm] thick, and are tack welded in the top plate casting. The shims will require grinding to achieve a proper fit to the bracket.

BRACKET PIN

- Since 1987 Holland Hitch XA-71 fifth wheel top plates have loose fitting bracket pins. When new there can be a difference of 0.030" [0.8 mm] between the diameters of the bracket pin and the hole in the fifth wheel top plate.



XA-71 SERIES TOP PLATE

BRACKET PIN OUT-OF-SERVICE CRITERIA

Holland's out-of-service condition is more than 1/8" [3.1 mm]. This measurement is the difference in the diameter of the hole in fifth wheel top plate and a new bracket pin.



SERVICE ADVISORY

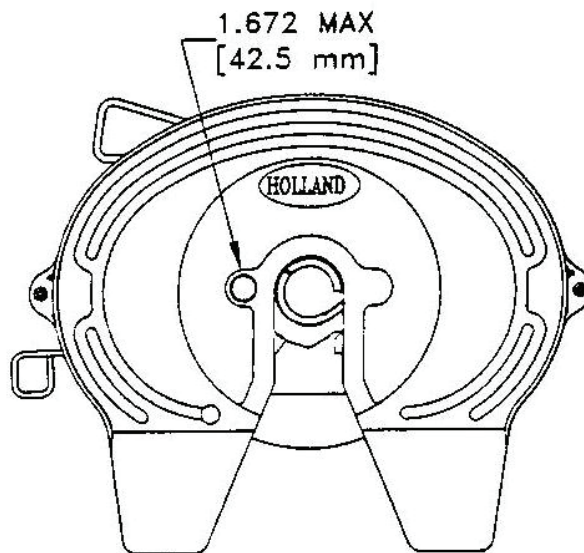
October 30, 1997

Page 2/3

FW0070/FW2555/FW2570 INSPECTION & OUT-OF-SERVICE CONDITION

LOCK JAW PIN HOLES

- The lock jaw pin in the XA-71 series top plate is a "drive" fit. If a loose pin is encountered the top plate can remain in service, however the top plate should not be rebuilt.

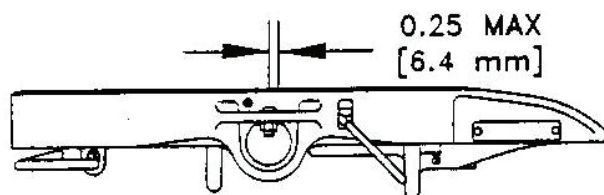


LOCK JAW PIN OUT-OF-SERVICE CRITERIA

Holland's out-of service condition is more than 0.045" [1.1 mm]. This measurement is the difference in the diameter of the hole in fifth wheel top plate and a new lock jaw pin.

HORIZONTAL MOVEMENT

- if the horizontal (fore and aft) movement between the fifth wheel locking mechanism and a Holland lock tester exceeds 1/4" [6.4 mm] the fifth wheel requires adjustment.





SERVICE ADVISORY

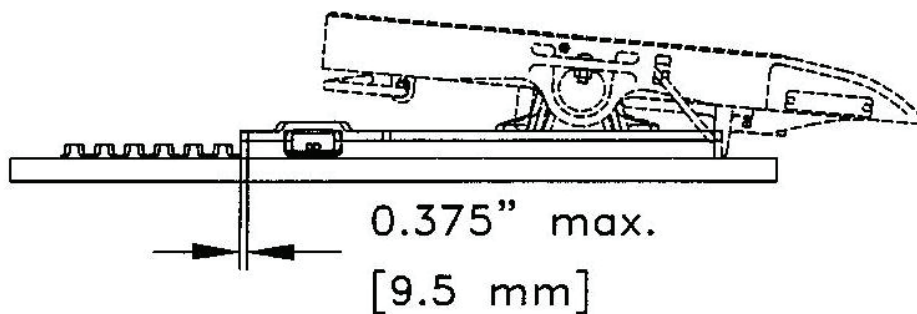
October 30, 1997

Page 3/3

FW0070/FW2555/FW2570 INSPECTION & OUT-OF-SERVICE CONDITION

SLIDING BRACKETS

- When the horizontal fore and aft play in the sliding bracket mechanism exceeds $3/8"$ [9.5 mm] an adjustment is required.



BRACKET OUT-OF-SERVICE CRITERIA

The out-of service condition is more than $3/8"$ [9.5 mm]. This $3/8"$ measurement can be either horizontal (fore and aft, left to right), or vertical (up and down).

