

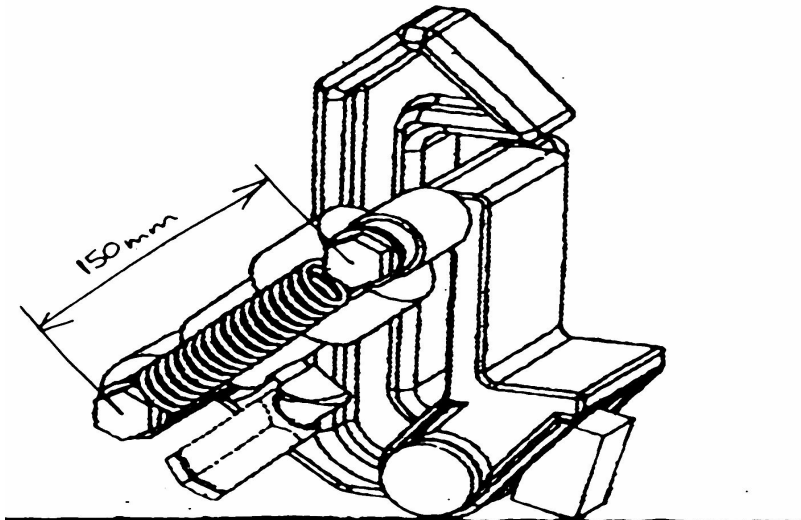


Service Bulletin

- Hydraulics

BODY LOCK INFORMATION **Part No. 14295000368**

When installing the part as pictured please ensure the stop bolt is adjusted to limit the travel of the hydraulic cylinder to 150mm centres.



Failure to set this on installation may cause the cylinder to fail prematurely.

Duncan Phillips
Division Manager - Hydraulics
1 May 2006