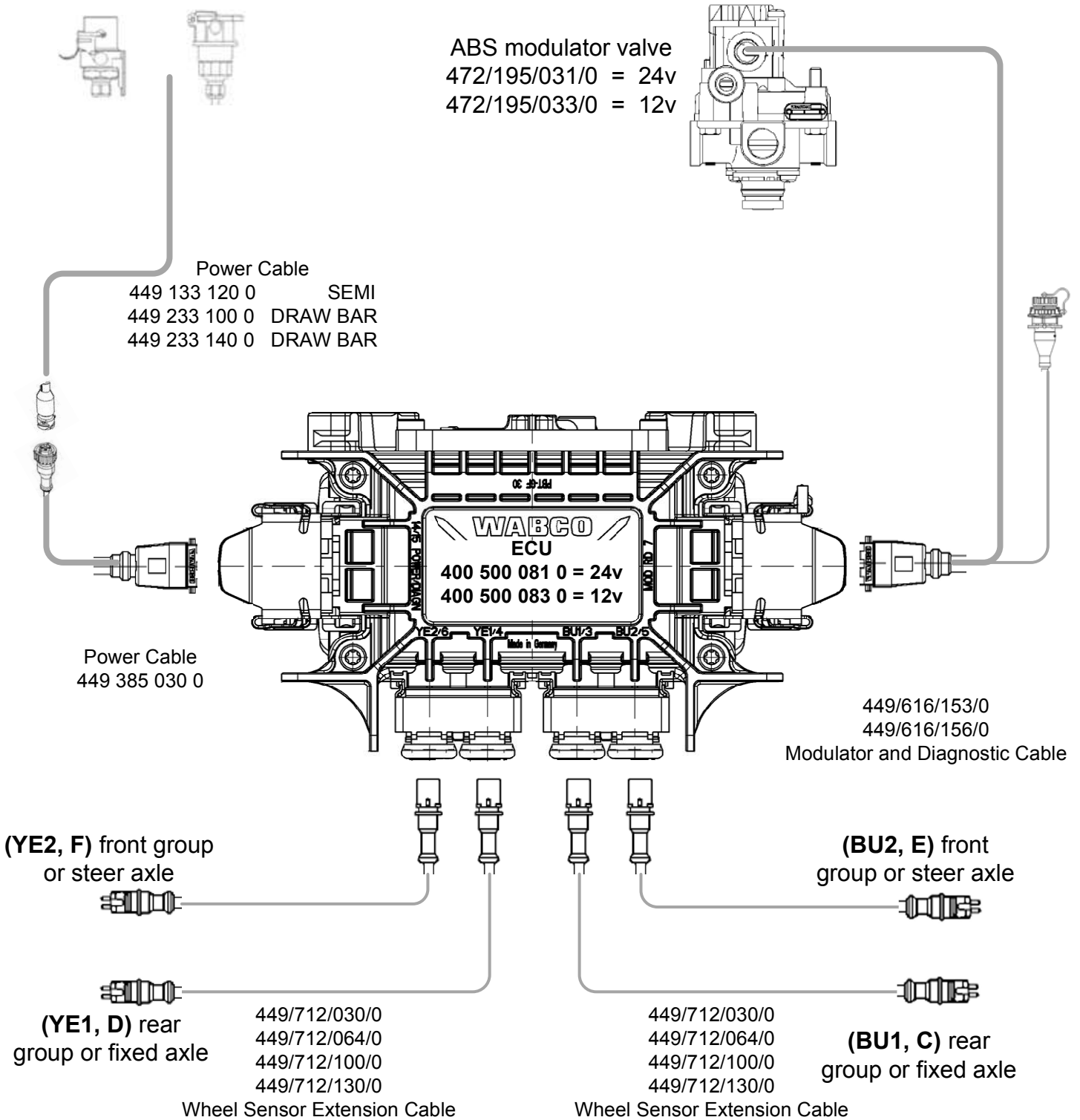


WABCO

ABS "VCS11" Components



Digits 7,8 & 9 in cable part numbers designate the cable length i.e. 449/172/130/0 = 13m, 449/172/150/0 = 15m
Part numbers are marked on cables about 300mm from end

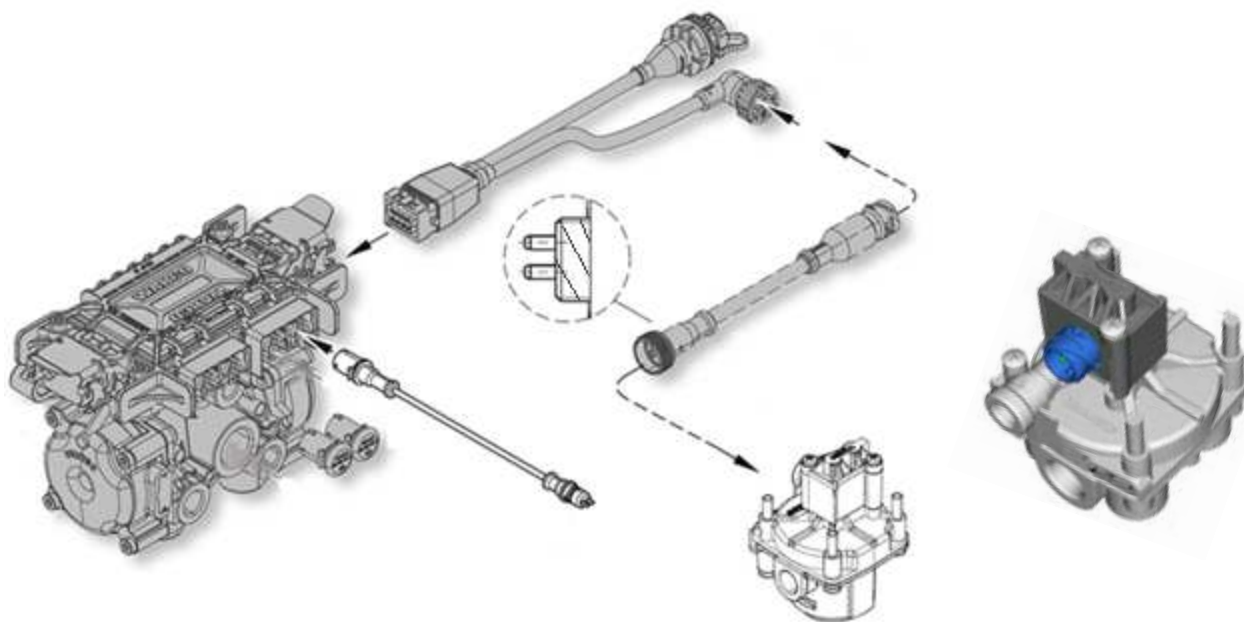
WABCO



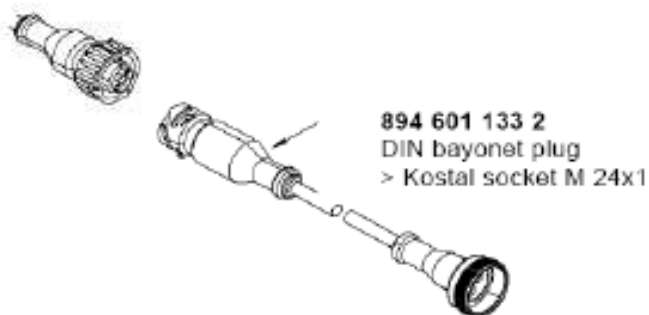
ABS "VCS11" Components



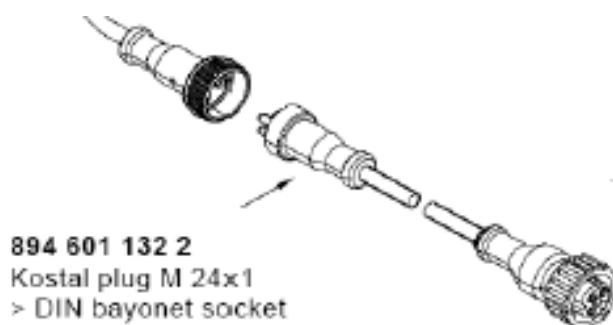
The ABS 472 195 03- 0 Modulator have been upgrade from a 27mm Korstal treaded plug to Bayonet connectors



"NEW Connection Cable" and **"OLD Modulator Valve"**:



"OLD Connection Cable" and **"NEW Modulator Valve"**:



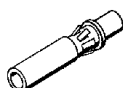
WABCO

ABS "VCS11" Components



Drawbar Trailer Plug

24v 446 008 414 2
Multi Volt 441 008 414 M



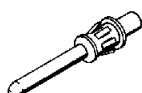
Pins for Plug

2 x 6.0mm 446 008 316 4
5 x 1.5mm 446 008 315 4



Semi Trailer Socket

24v 446 008 404 2
Multi Volt 446 008 404 M



Pins for Socket

2 x 6.0mm 446 008 311 4
5 x 1.5mm 446 008 310 4



Tool for removing pins

884 026 261 4

Replacement sleeve

884 026 262 4



Suzi Cable

EBS 7 Pin 24v 446 008 243 0
Multi Volt 446 008 243 M
ABS 5 Pin 12v 446 008 238 2



Wheel Sensors

Straight sensor with 2m cable
Kit with bush and grease
441 032 968 2



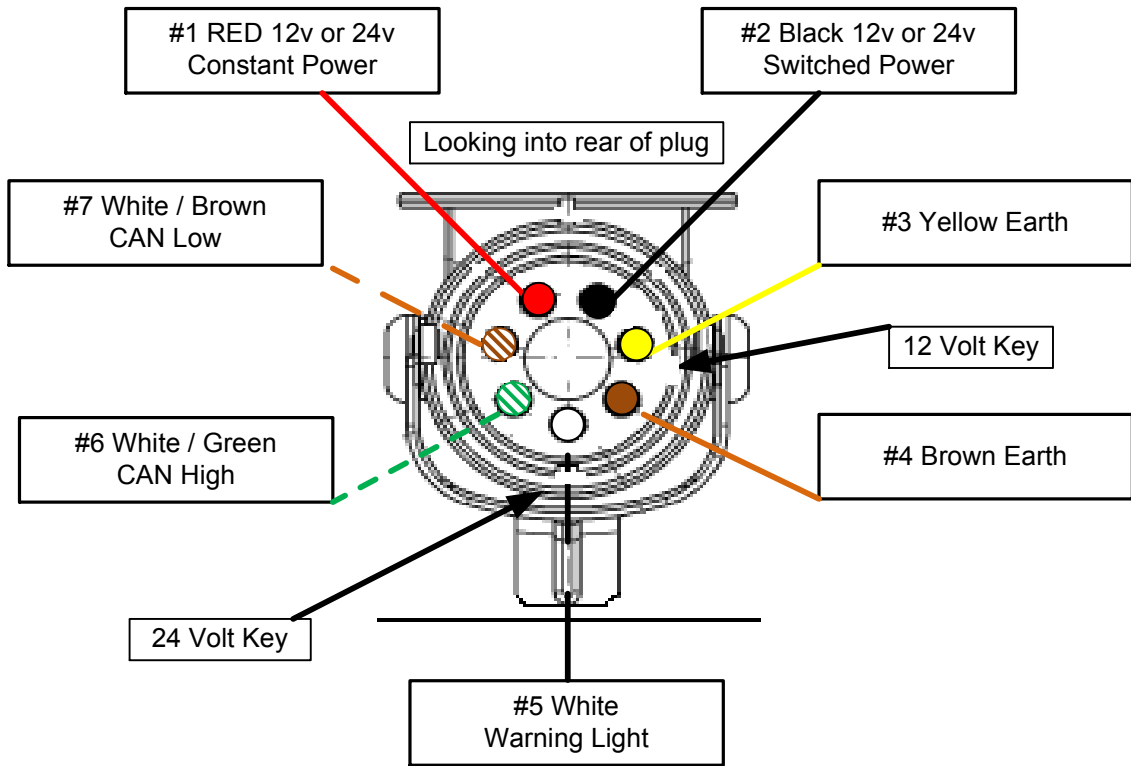
90 Deg sensor with 2m cable
Kit with bush and grease
441 032 967 2



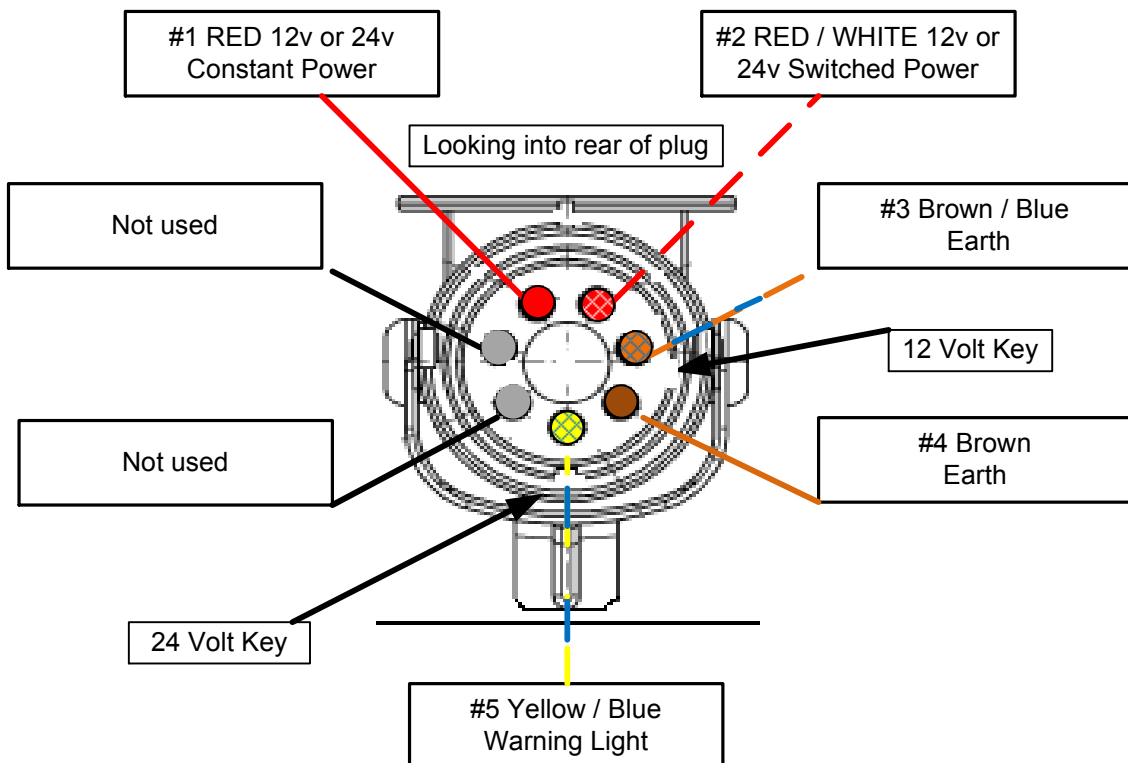
SAF Z19 MINI Straight sensor with 400mm cable
Kit with bush and grease
3 029 0242 HD

WABCO

ABS "VCS11" Components



Older Style Cables Plug Wiring



WABCO

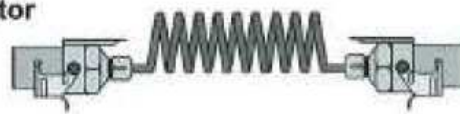
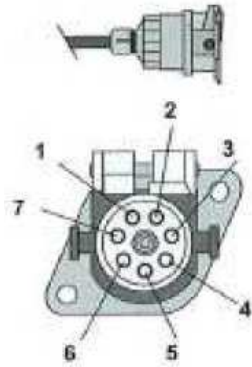


ABS "VCS11" Components

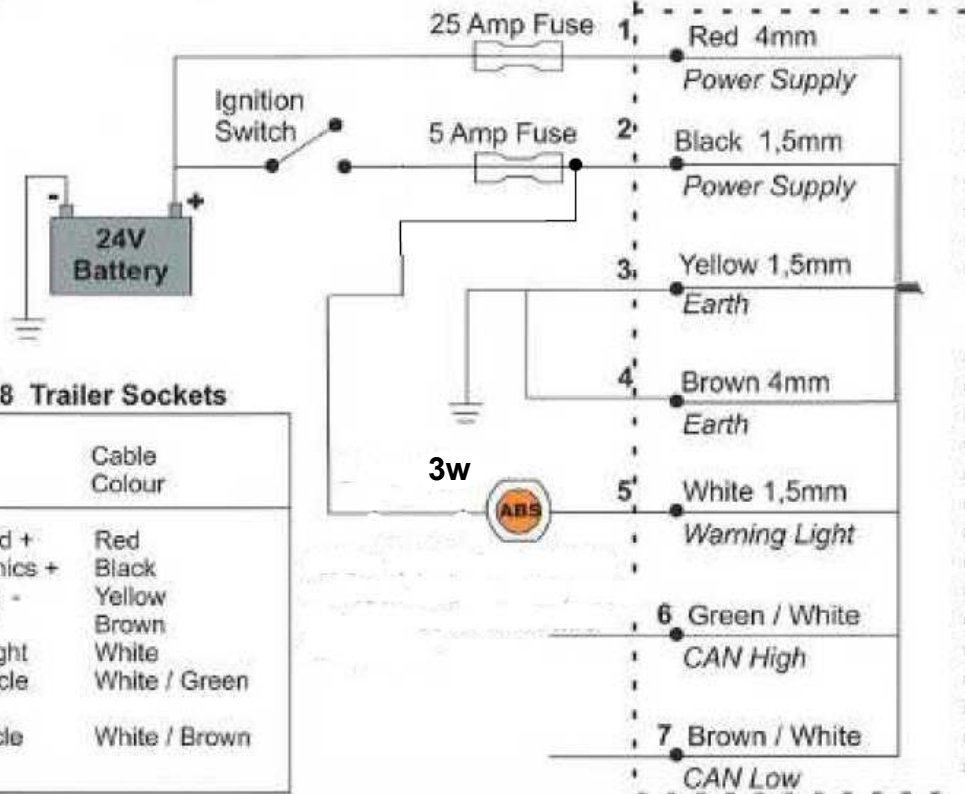


**Kit Part Number
ABSTU
Cable and Fuse
Holder**

7 Pin Power Supply on Truck Tractor
ISO 7638 Socket



7 Pin Power Supply
Trailer
ISO 7638 Socket



Wiring Code For ISO 7638 Trailer Sockets

Contact	Circuit	Cable Colour
1	Power to Solenoid +	Red
2	Power to Electronics +	Black
3	Earth Electronics -	Yellow
4	Solenoid Valve -	Brown
5	Dash Warning Light	White
6	CAN High If Vehicle has ABS CAN	White / Green
7	CAN Low If Vehicle has ABS CAN	White / Brown

**ADDING POWER FOR ABS/EBS
FOR A TRAILER
TO A
TRUCK**

WABCO ABS "VCS11" Components



For tractor units and drawbar trucks not fitted with an ABS power cable to ISO 7638, the following shows what is required and how it is installed.

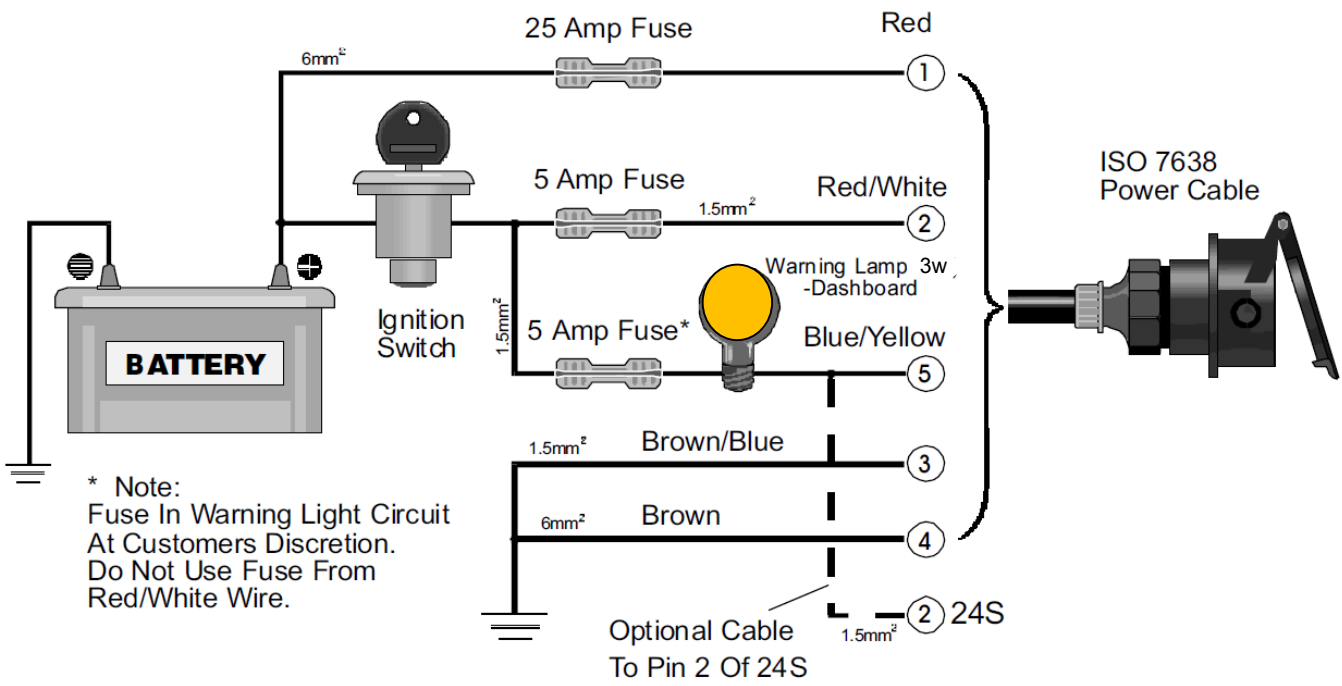
ISO 7638 POWER CABLE (12 metre - 24volt)

DASHBOARD WARNING LAMP (red/amber - 3w typical)
FUSES

CUSTOMER SUPPLY
CUSTOMER SUPPLY

ISO 7638 CABLE	{	RED	BATTERY POSITIVE THROUGH 25 AMP FUSE
		RED/WHITE	IGNITION SWITCHED THROUGH 5 AMP FUSE
		BROWN	COMMON RETURN TO BATTERY NEGATIVE
		BROWN/BLUE	COMMON RETURN TO BATTERY NEGATIVE
		YELLOW/BLUE	DASHBOARD ABS WARNING LAMP

For vehicles with a supplementary power cable, the dashboard warning lamp can also be controlled via pin 2 of 24S, thereby removing the need to observe the headboard warning lamp when the ISO 7638 power cable is absent from the trailer



ISO 7638 Power Supply