

drawbar eye series 201653 EEC type approval e1 00-0692

directive 94/20/EG / class S DIN 74054-40D / material 42CrMoS4 (no. 1.7227) / with bush 40 mm

For mechanical drawbar couplings 40 according to DIN 74051 part no. 1, for non-mechanical drawbar couplings according to DIN 11025, for drawbar couplings (multi-purpose couplings) according to DIN 11028 and for the use with breakdown couplings or type-approved drawbar couplings which are approved for mounting according to DIN 74054 or identically constructed drawbar eyes.

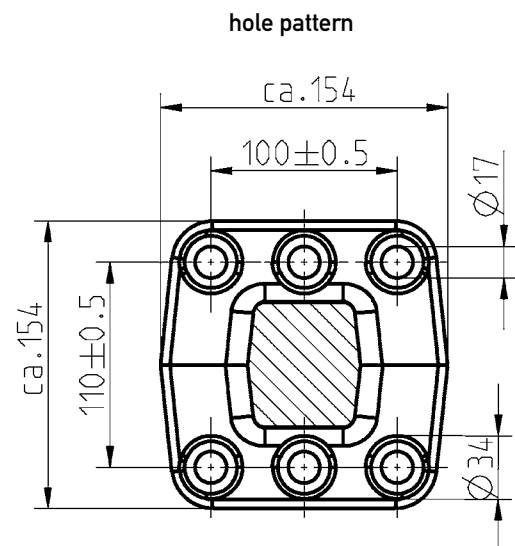
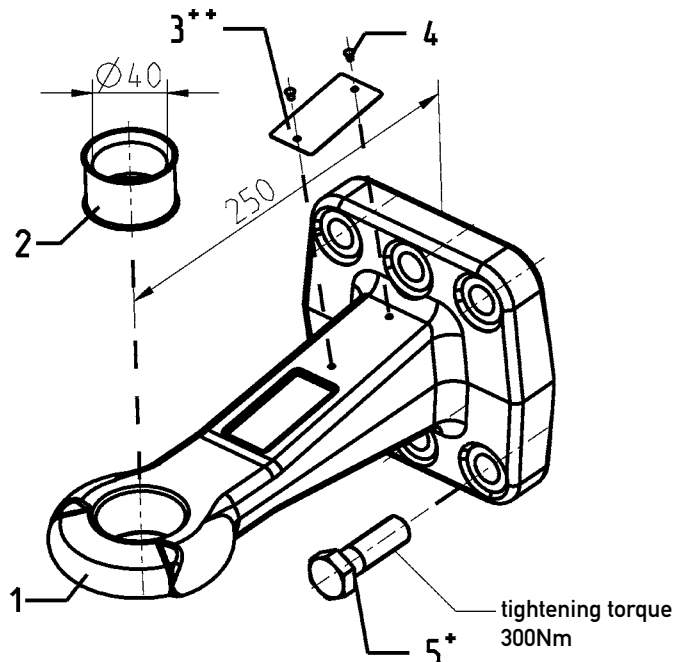
order no.	shaft cross section H x B mm	length mm	weight kg	speed km/h	D-value kN	parameters for centre-axle trailers			
						vertical drawbar load S kg	Dc-value kN	V-value kN	gross vehicle weight kg
201653	67 x 60	250	9.6	over 25	125	1000	100	40	-
general design certification ~ N2075									
				up to 25	125	2000	89.3	-	14000

parts list			
item no.	description	unit	order no.
	drawbar eye 2016 completely with no. 1, 2 and 3	1	201653
1	drawbar eye 2016	1	
2	closed drawbar eye bush	1	741274056
3**	type plate	1	771201653
4	grooved pin Ø 3 x 5 - Al	2	DIN EN 28746
5*	hexagon head screw M16x50	6	DIN EN 24014 Fk. 8.8

* these parts are not included in delivery

** in case of loss of the type plate please tell us the complete identification marking that is forged in and provide us with a copy of the delivery note.

on presentation of damaged or unusable type plates we will provide you with replacement.



Our products on the internet:
www.zugoesen.de



Jeco-Jellinghaus GmbH
Feldstraße 30
58285 Gevelsberg

Phone +49 2332 / 70 08 - 0
Fax +49 2332 / 70 08 - 52

www.jeco.de
info@jeco.de

www.zugoesen.de
shop@zugoesen.de