

drawbar eye series 203653 EEC type approval e1 00-0626

directive 94/20/EG / class D50-C / material 42CrMoS4 (no. 1.7227) / with bush 50 mm

order no.	shaft cross section H x B mm	length mm	weight kg	D-value kN
203653	67 x 60	250	11.2	190

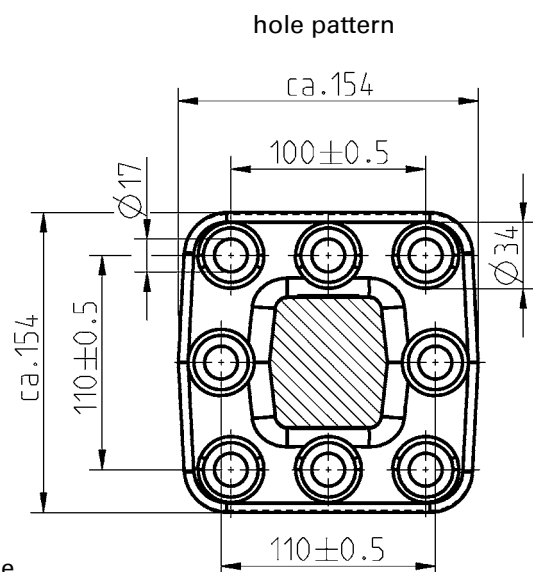
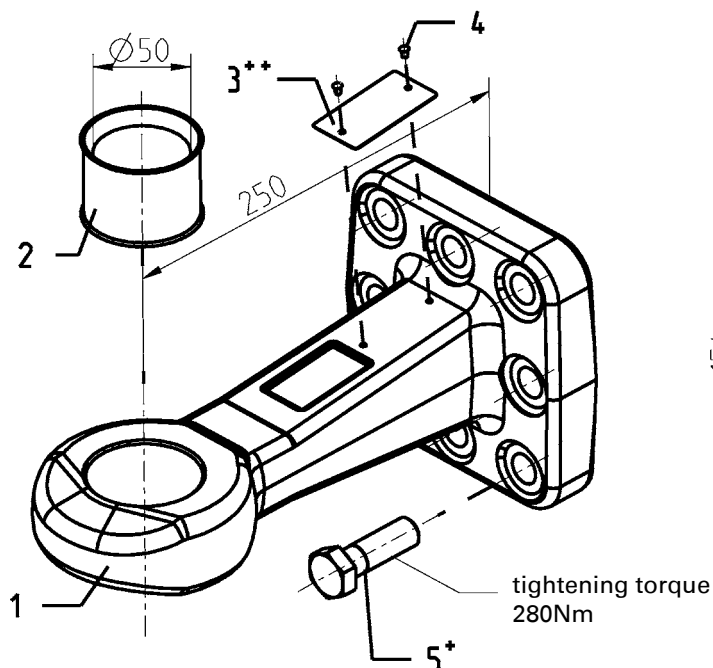
parameters for centre-axle trailers	
vertical drawbar load S kg over 25 km/h	1000
Dc-value kN	120
V-value kN	50

parts list			
item no.	description	unit	order no.
	drawbar eye D50-C completely with no. 1, 2 and 3	1	203653
1	drawbar eye D50-C	1	
2	closed drawbar eye bush	1	741274057
3 **	type plate	1	771203653
4	grooved pin \varnothing 3 x 5 - Al	2	DIN EN 28746
5 *	hexagon head screw M16x50	8	DIN EN 24014 Fk. 10.9

* these parts are not included in delivery

** in case of loss of the type plate please tell us the complete identification marking that is forged in and provide us with a copy of the delivery note.

on presentation of damaged or unusable type plates we will provide you with replacement.



Our products on the internet:
www.zugoesen.de

Jeco-Jellinghaus GmbH
Feldstraße 30
58285 Gevelsberg

Phone +49 2332 / 70 08 - 0
Fax +49 2332 / 70 08 - 52

www.jeco.de
info@jeco.de

www.zugoesen.de
shop@zugoesen.de

