



GoldSeal+TM

Spring Brake Actuators



GoldSeal+TM

GoldSeal+

Low operating costs, durable performance and reliability deliver value that lasts.

As an industry pioneer, Haldex sets the benchmark in brake actuator design and manufacturing. We offer a complete selection of actuators and parts to meet OEM or replacement needs in commercial or transit vehicle applications.

Our GoldSeal+ line includes a large selection of popular stroke lengths. See listing on back cover for product numbers and information.

Engineered smart.

Haldex engineers all our actuators to strict quality and performance standards. Custom components – like our patented, heat-treated Power Spring that maximizes output force and resists corrosion – extend the life of the unit for greater savings.

Built tough.

Our manufacturing facility is IATF 16949 certified. This discipline ensures each actuator exceeds your expectations. Competitors may look similar but lack many of the design enhancements and corrosion protection features of Haldex GoldSeal+.



Guaranteed value.

Haldex GoldSeal+ actuators come with a standard four-year, unlimited mileage warranty. See your warranty policy for details.

Value requires vigilance.

To ensure reliability and component integrity, Haldex actuators are tested at our in-house laboratory on the following criteria:

■ **Tested to SAE J1469 standards – “Air Brake Actuator Test Procedure, Truck-Tractor, Bus and Trailer”**

- 100% leak-tested
- Heat tested to over 158°F (70°C)
- Cold tested to -40°F (-40°C).
- Pressure tested to over 300 psi
- Vibration tested to OEM engineering specifications
- Date-stamped for traceability

Specify value.

Engineering, quality components and a company that stands behind its products add up to lower operating costs, high reliability and value that lasts. Specify genuine Haldex actuators and parts.

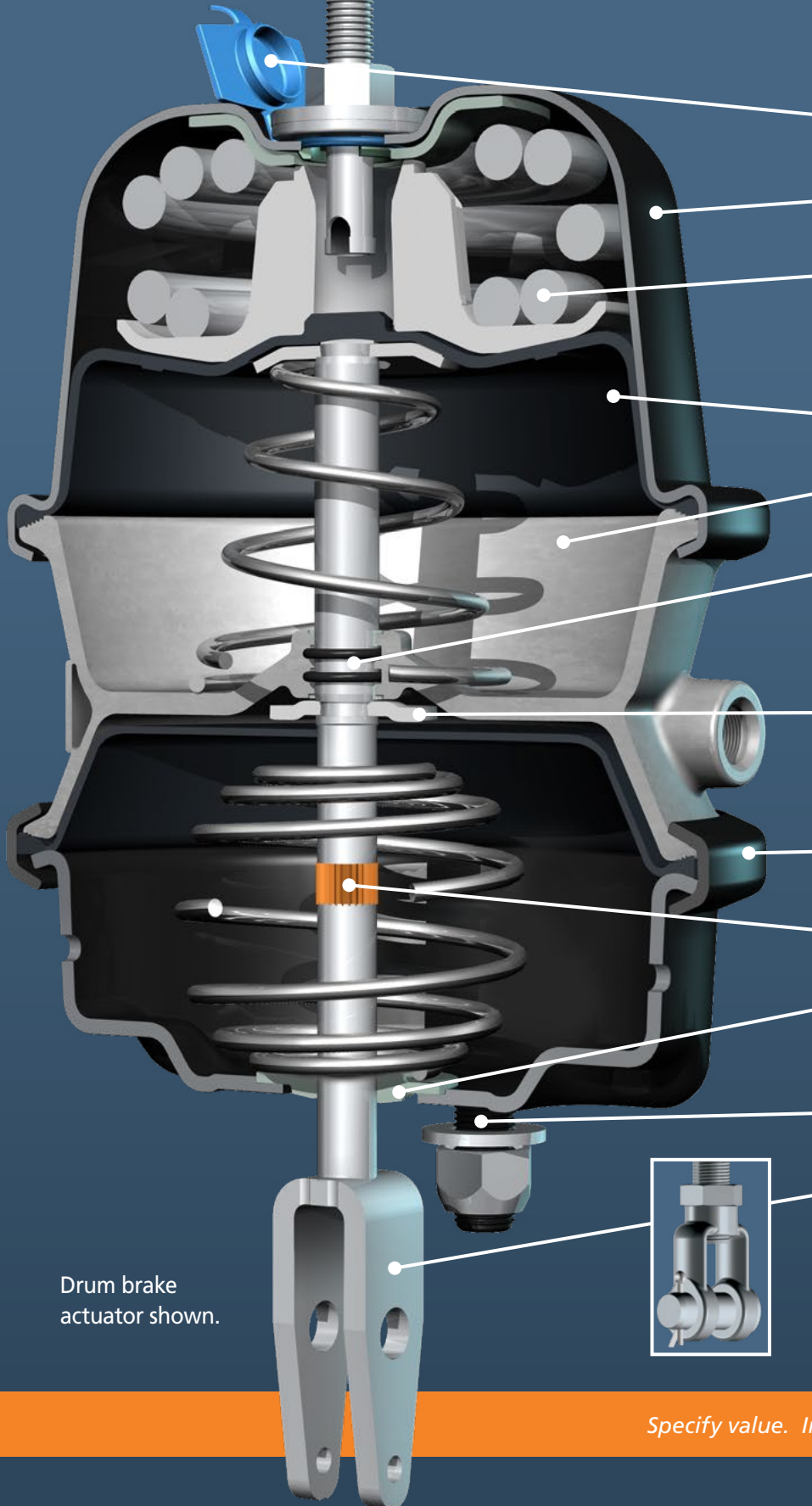


haldex.com

The reliability of a product and its components have consequences that extend far beyond a parts bill.

Greater value, sealed in.

Haldex GoldSeal+ Features and Benefits:



Tethered dust plug

for easy accessibility

Increased spring housing height

prevents coil clash and reduces spring stress

Robust power spring

Designed to reduce overall stress; heat-treated and powder-coated for corrosion protection

Nylon reinforced diaphragm

with locating feature to extend life

Aluminum center body

is durable, lightweight and corrosion resistant

Double O-ring center seal and wear rings

extend service life and protect against air leakage between chambers

Orbital riveted adapter push rod discs

permanently attached for durability

Epoxy-coated clampbands and service return spring

for additional corrosion resistance

Patented orange alert stroke indicator

is visible when brakes are out of adjustment

Patented piloted dust shield

maintains push rod alignment and reduces contaminants in the service chamber

Mounting Studs

welded for enhanced vibration resistance.

Clevis

Forged with threaded rod or integrally welded plated steel or stainless steel

Drum brake actuator shown.

Specify value. Insist on Haldex actuators and parts.

GoldSeal+™ Standard 4-Year Warranty

Spring Brake size and stroke	Part#	Clevis	Pushrod length from face of service housing	Distance to Clevis Pin centerline from face of service housing	Housing	Power Spring
1624 2.25"	GP1624			Piggyback		Standard
	GP2024			Piggyback		Standard
2024 2.25"	GC2024	Threaded	10.00"	n/a	Standard	Standard
	GC2030XL	Threaded	10.00"	n/a	Standard	Standard
2030 3.0"	GC2030XLCW	Welded	n/a	2.25"	Standard	Standard
	GP2424			Piggyback		Standard
2424 2.25"	GC2424	Threaded	9.65"	n/a	Standard	Standard
	GP2424L			Piggyback		Standard
2424 2.5"	GC2424L	Threaded	10.00"	n/a	Standard	Standard
	GP2430L			Piggyback		Standard
2430 2.5"	GC2430L	Threaded	10.00"	n/a	Standard	Standard
	GP2430XL			Piggyback		Standard
2430 3.0"	GC2430XL	Threaded	10.00"	n/a	Standard	Standard
	GC2430XLCW	Welded	n/a	2.25"	Standard	Standard
3030 2.5"	GP3030			Piggyback		Standard
	GP3030K			Piggyback w/bolted clamband and diaphragm		Standard
	GC3030	Threaded	10.00"	n/a	Standard	Standard
	GC3030HD	Threaded	10.00"	n/a	Heavy Duty	Standard
	GC3030R	Threaded	14.00"	n/a	Standard	Standard
	GC3030S1	Threaded	1.80"	n/a	Standard	Standard
	GC3030S2	Threaded	5.70"	n/a	Standard	Standard
	GC3030S3	Threaded	1.80"	n/a	Standard	Standard
	GC3030S4	No	9.90"	n/a	Standard	Standard
	GC3030S5	No	5.90"	n/a	Standard	Standard
	GC3030Q*	No	16.80"	n/a	Standard	Standard
	GC3030S7CW	Welded	n/a	4.20"	Standard	Standard
	GC3030CW	Welded	n/a	2.25"	Heavy Duty	Standard
	GC3030S4CW	Welded	n/a	11.00"	Heavy Duty	Standard
	GC3030S5CW	Welded	n/a	6.80"	Heavy Duty	Standard
	GCS3030S6CW	Welded	n/a	2.87"	Heavy Duty	Standard
	3030 3.0"	GP3030L			Piggyback	
GP3030LK				Piggyback w/bolted clamband and diaphragm		Standard
GC3030L		Threaded	10.00"	n/a	Standard	Standard
GC3030LR		Threaded	14.00"	n/a	Standard	Standard
GC3030LS4		No	9.90"	n/a	Standard	Standard
GC3030LQ*		No	16.80"	n/a	Heavy Duty	Standard
GC3030LCW		Welded	n/a	2.25"	Heavy Duty	Standard
GC3030LS4CW		Welded	n/a	11.00"	Heavy Duty	Standard
GC3030LS5CW		Welded	n/a	6.80"	Heavy Duty	Standard
GCS3030LS6CW		Welded	n/a	2.87"	Standard	Standard
3036 2.5"	GC3036	Threaded	10.00"	n/a	Heavy Duty	Standard
	GC3036CW	Welded	n/a	2.25"	Heavy Duty	Standard
	GC3036Q*	No	16.80"	n/a	Heavy Duty	Standard
3036 3.0"	GC3036L	Threaded	10.00"	n/a	Heavy Duty	Standard
	GC3036LCW	Welded	n/a	2.25"	Heavy Duty	Standard
3636 2.5"	GP3636			Piggyback		Standard
3636 3.0"	GP3636L			Piggyback		Standard
3636 3.0"	GC3636	Threaded	9.00"	n/a	Heavy Duty	Standard
	GC3636CW	Welded	n/a	2.25"	Heavy Duty	Standard
	GC3636Q*	No	9.00"	n/a	Heavy Duty	Standard

*3/4 Pushrod Thread (standard 5/8)

GoldSeal+™ Air Disc Brake Actuators

Part#	Type	Stroke
GC1824D	1824	2.25" (57mm)
GC2024D	2024	2.5" (64mm)
GC2030D	2030	2.5" (64mm)
GC2430D	2430	2.5" (64mm)

To learn more about GoldSeal+, contact your Haldex sales professional.